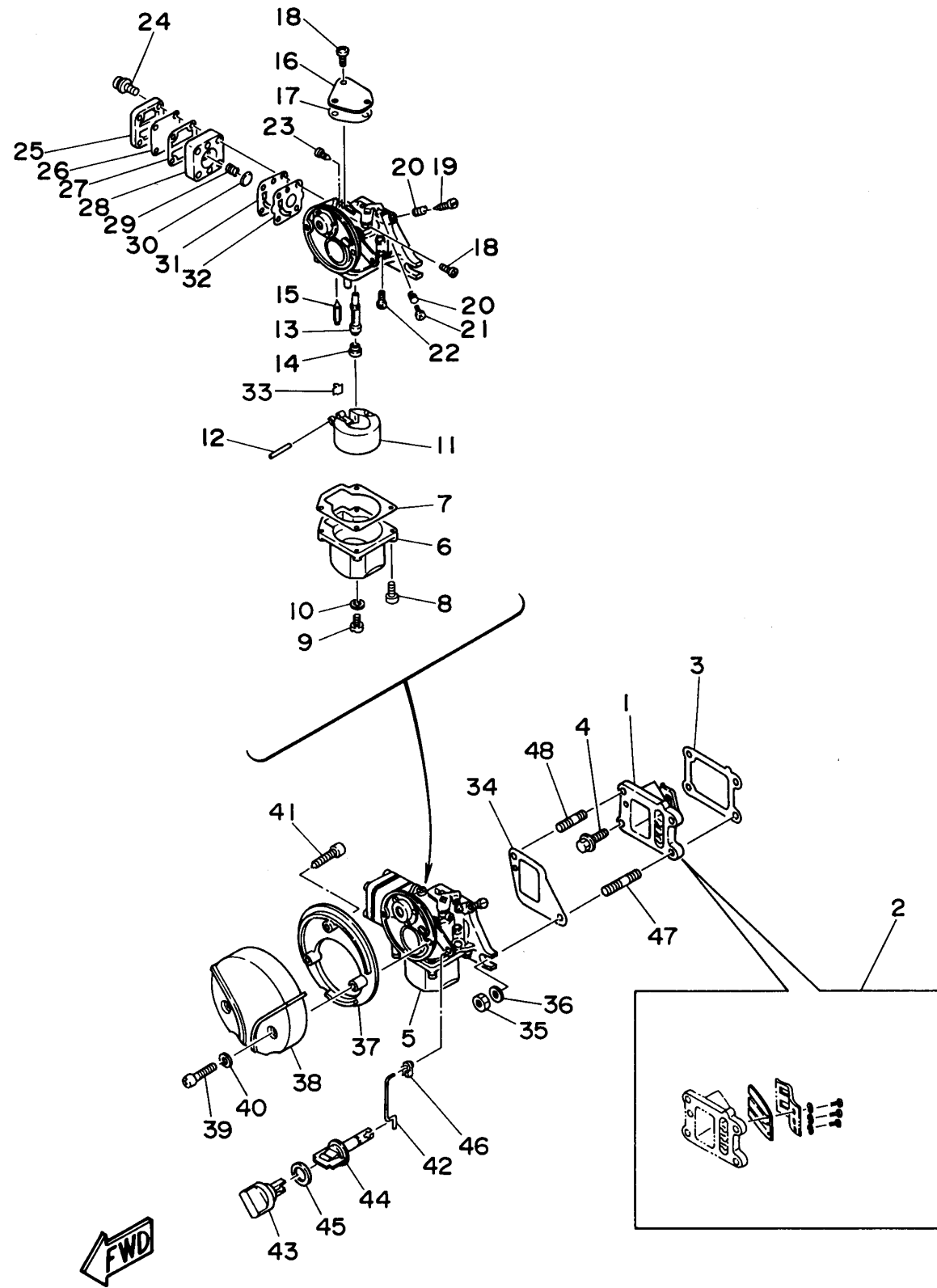


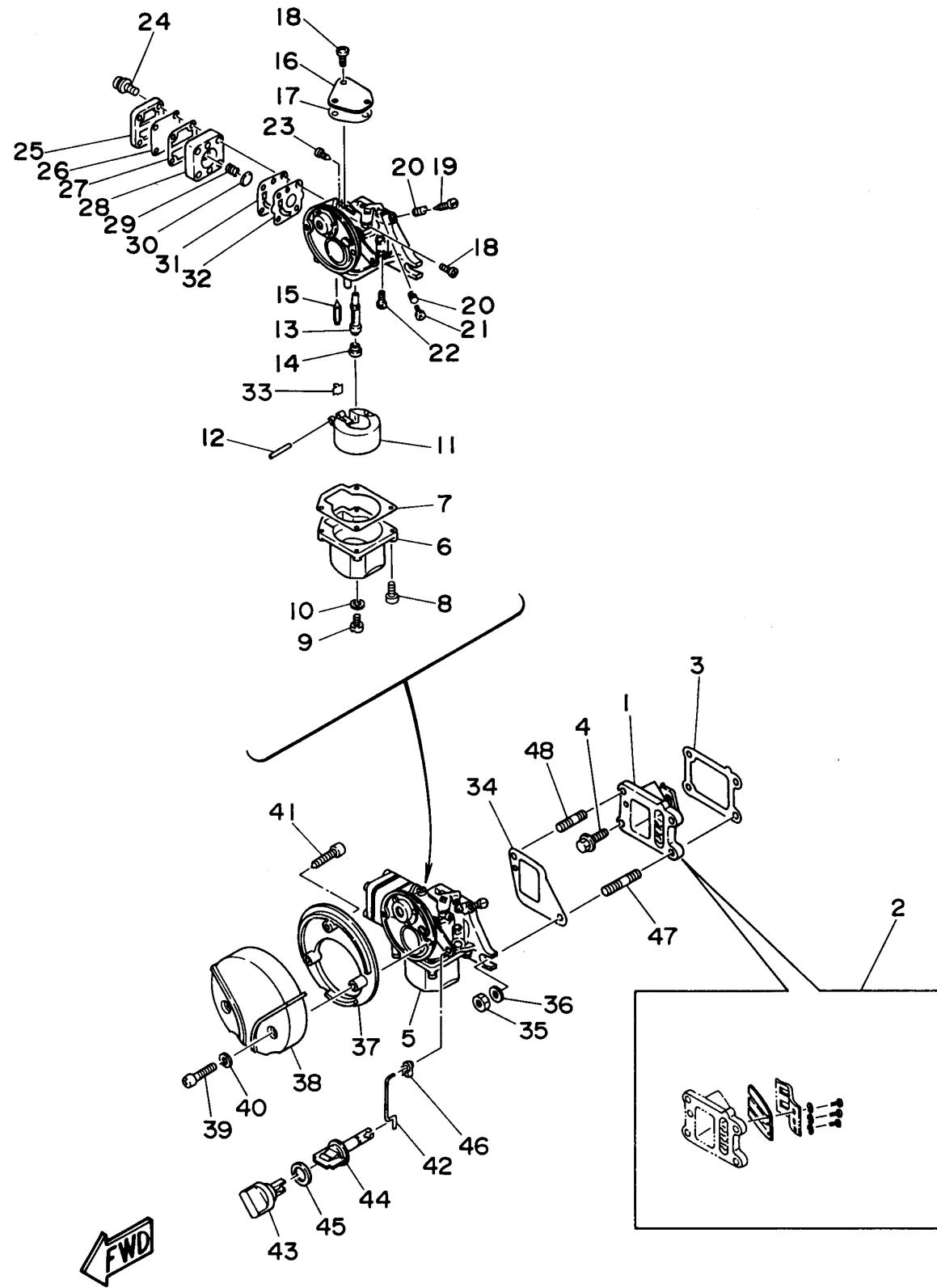
# INTAKE



Ref No.	Part Number	Description	Qty	Remarks
1	6E0-13610-00-00	REED VALVE ASSY	1	
2	6E0-W0004-00-00	. .REED SET	1	
3	6E0-13621-A2-00	.GASKET, VALVE SEAT	1	
4	95895-06016-00	BOLT, FLANGE	2	
5	6E0-14301-05-00	CARBURETOR ASSEMBLY 1	1	UR 4MH
5	6E3-14301-05-00	CARBURETOR ASSY 1	1	UR 5MH
6	6E0-14381-02-00	. .BODY, FLOAT CHAMBER	1	
7	6E0-14384-00-00	. .GASKET, FLOAT CHAMBER	1	
8	97980-04116-00	. .SCREW, WITH WASHER	4	
9	97890-05006-00	. SCREW, PAN HEAD	1	
10	646-14198-01-00	. GASKET	1	
11	6E7-14385-01-00	. .FLOAT	1	
12	647-14386-10-00	. PIN, FLOAT	1	
13	6E0-14341-01-00	. NOZZLE, MAIN	1	UR 4MH
13	6E3-14341-02-00	. .NOZZLE, MAIN	1	UR 5MH
14	648-14343-40-00	. .JET, MAIN (# 80)	1	
15	6F5-14392-00-00	. .VALVE, NEEDLE	1	
16	6E0-14157-00-00	. .COVER, PLATE	1	
17	6E0-14227-00-00	. .GASKET	1	
18	97890-04007-00	. .SCREW, PAN HEAD	4	

CONTINUED ON NEXT FRAME >

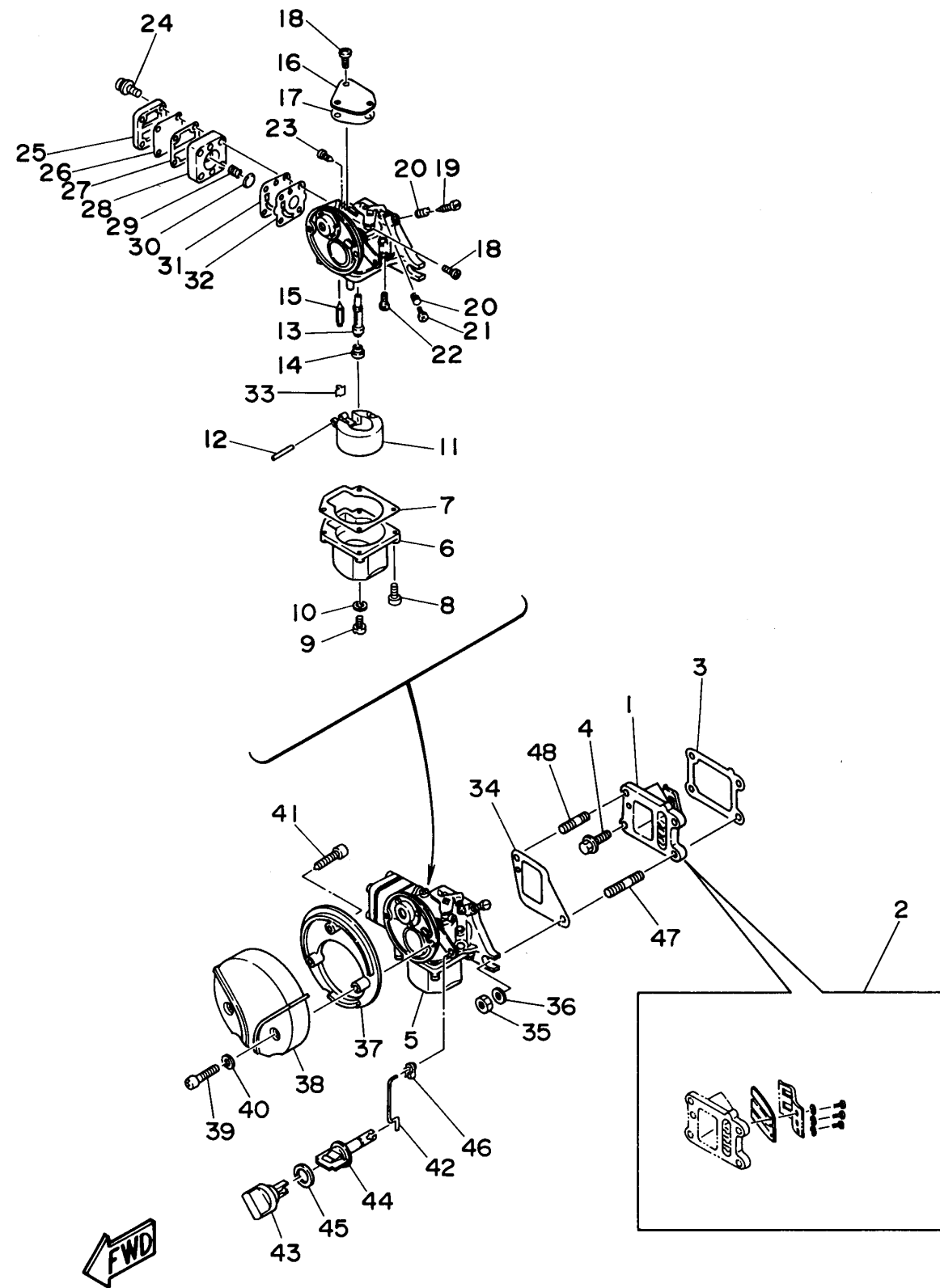
# INTAKE



Ref No.	Part Number	Description	Qty	Remarks
19	647-14323-00-00	..SCREW, AIR ADJUSTING	1	
20	646-14212-01-00	..SPRING, PILOT ADJUSTING	2	
21	664-14321-01-00	..SCREW, THROTTLE	1	
22	648-14342-23-00	..JET, PILOT #XX	1	UR 4MH
22	648-14342-26-00	..JET, PILOT (# 52)	1	UR 5MH
23	647-14326-00-00	..SCREW, GUIDE	1	
24	97980-04120-00	..SCREW, WITH WASHER	4	
25	6E0-24413-00-00	..COVER	1	
26	6E0-24471-00-00	..DIAPHRAGM	1	
27	6E0-24435-00-00	..GASKET, BODY 2	1	
28	6E0-24412-00-00	..BODY 1	1	
29	6E0-24423-00-00	..SPRING, DIAPHRAGM	1	
30	6E0-14346-00-00	..PLATE	1	
31	6E0-24411-00-00	..DIAPHRAGM	1	
32	6E0-24434-00-00	..GASKET, BODY	1	
33	6E0-14159-00-00	..CLIP	1	
34	6E0-14198-A0-00	..GASKET	1	
35	95380-06700-00	NUT	2	
36	92990-06600-00	WASHER, PLATE	2	
37	6E0-14417-00-00	COVER 1	1	

CONTINUED ON NEXT FRAME >

# INTAKE



Ref No.	Part Number	Description	Qty	Remarks
38	6E0-14418-00-00	COVER 2	1	
39	98580-05525-00	SCREW, PAN HEAD	2	
40	92990-05600-00	WASHER, PLATE	2	
41	97780-40320-00	SCREW, TAPPING	1	
42	6E0-41256-00-00	ROD, CHOKE 1	1	
43	6E0-41271-00-00	KNOB, CHOKE	1	
44	6E0-41272-00-00	KNOB, CHOKE	1	
45	90202-12M16-00	WASHER, PLATE	1	
46	661-41262-02-00	JOINT, CHOKE LEVER	1	
47	95627-06325-00	BOLT, STUD	1	
48	90116-06M08-00	BOLT, STUD	1	