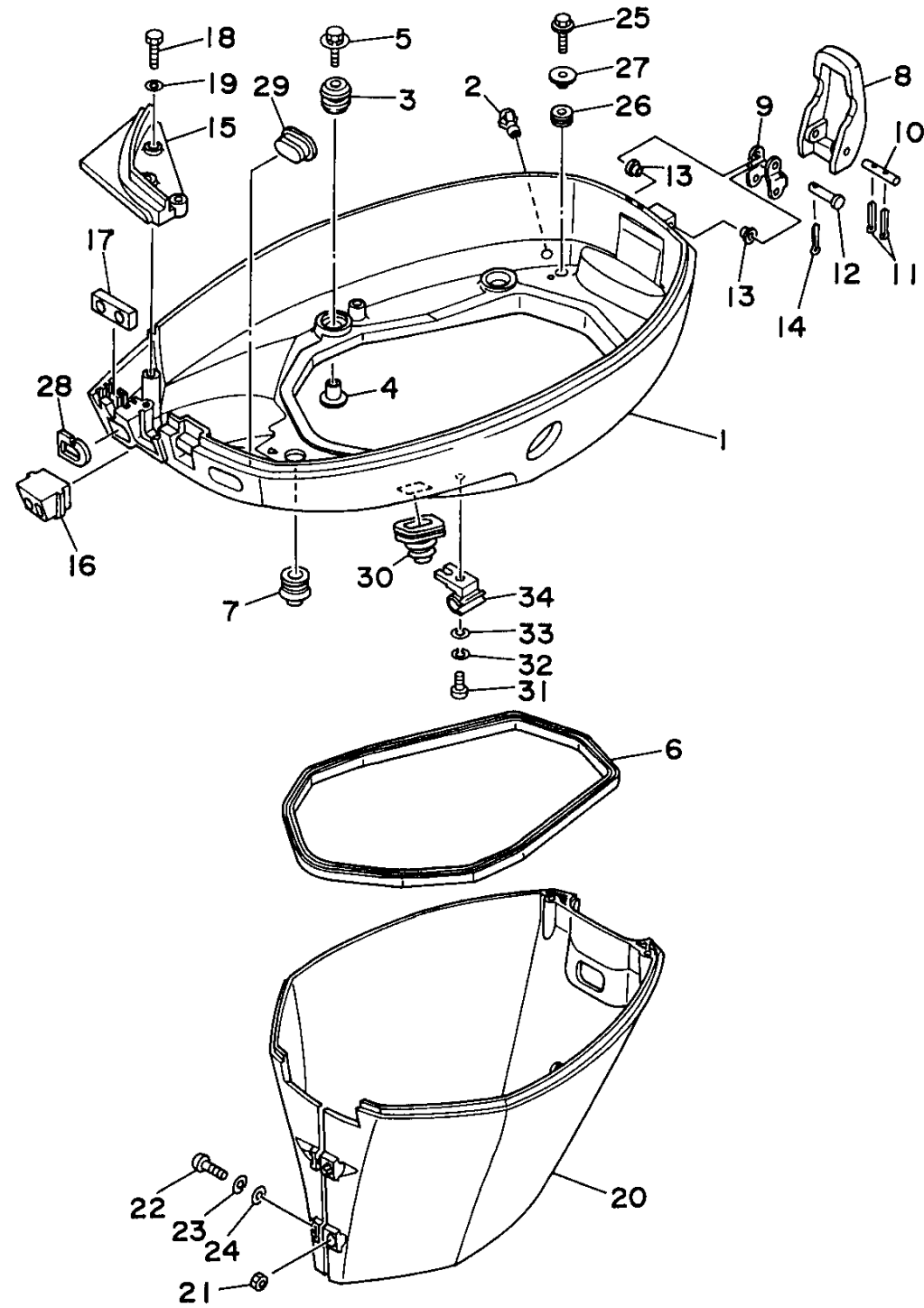


BOTTOM COWLING

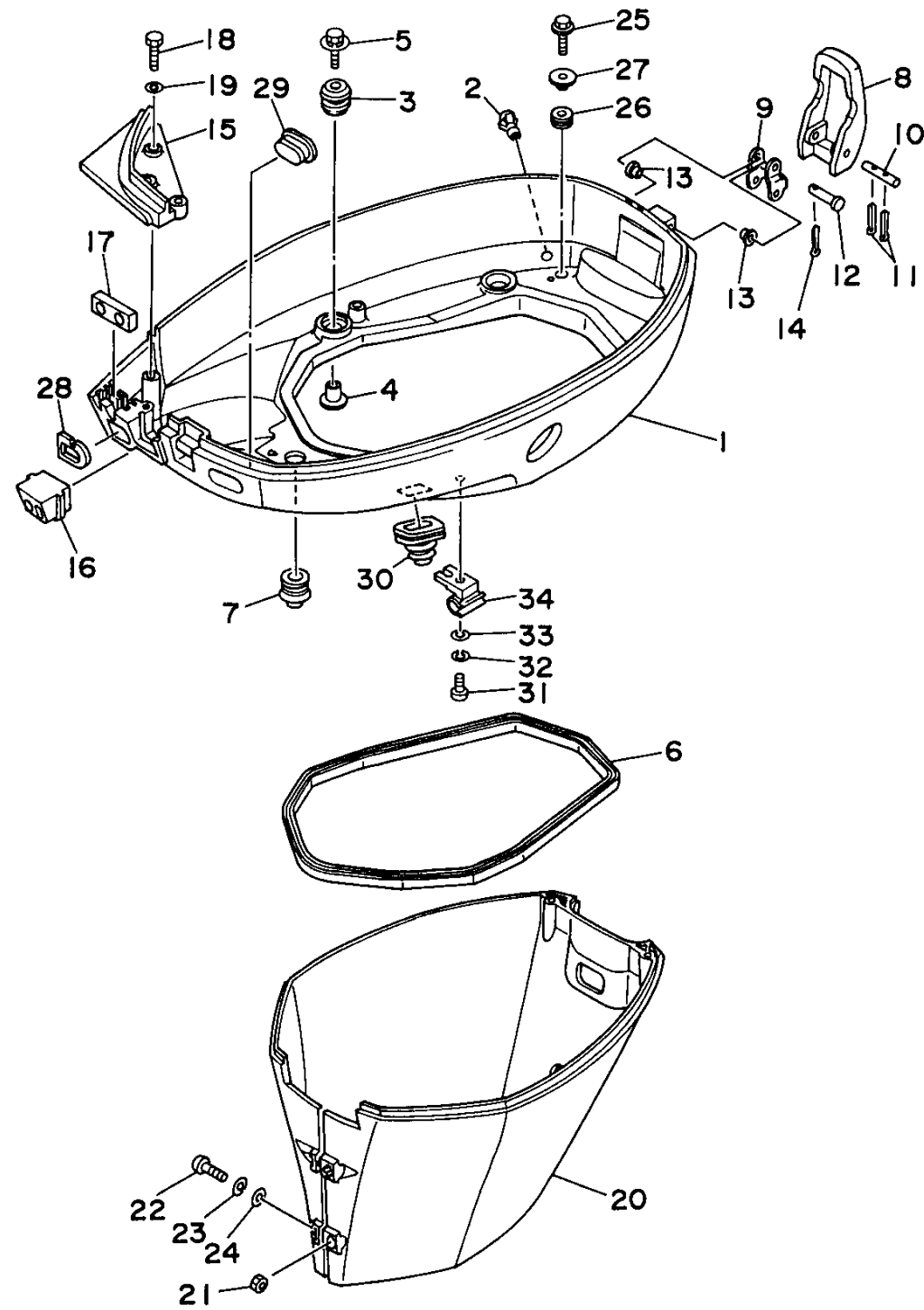


| Ref No. | Part Number | Description | Qty | Remarks |
|---------|-----------------|-------------------|-----|----------|
| 1 | 62Y-42711-12-4D | COWLING, BOTTOM | 1 | |
| 2 | 6H3-44391-01-00 | NIPPLE, HOSE | 1 | |
| 3 | 90480-09M12-00 | GROMMET | 4 | |
| 4 | 90387-06M69-00 | COLLAR | 4 | |
| 5 | 90119-06M08-00 | BOLT, WITH WASHER | 4 | |
| 6 | 62Y-42716-00-00 | RUBBER, SEAL 1 | 1 | |
| 7 | 6E5-42724-00-00 | GROMMET | 1 | |
| 8 | 62Y-42828-00-4D | PLATE, CLAMP | 1 | |
| 9 | 62Y-42815-00-00 | LEVER, CLAMP | 1 | |
| 10 | 90249-05M30-00 | PIN | 1 | |
| 11 | 91490-16010-00 | PIN. COTTER | 2 | |
| 12 | 90240-05M19-00 | PIN, CLEVIS | 1 | |
| 13 | 90386-05002-00 | BUSH | 2 | |
| 14 | 91490-16010-00 | PIN. COTTER | 1 | |
| 15 | 62Y-42738-01-5B | PLATE, FITTING | 1 | |
| 16 | 62Y-42725-10-00 | GROMMET | 1 | UR T.H/D |
| 16 | 62Y-42725-00-00 | GROMMET | 1 | UR |
| 16 | 62Y-42725-30-00 | GROMMET | 1 | UR T50 |
| 17 | 62Y-42727-00-00 | GROMMET | 1 | |
| 18 | 97095-06020-00 | BOLT | 3 | |

CONTINUED ON NEXT FRAME >



62YUS-5121



BOTTOM COWLING

| Ref No. | Part Number | Description | Qty | Remarks |
|---------|-----------------|-----------------|-----|---------|
| 19 | 92990-06600-00 | WASHER, PLATE | 3 | |
| 20 | 62Y-42741-00-4D | APRON | 1 | |
| 21 | 95380-06600-00 | NUT, HEXAGON | 2 | |
| 22 | 97880-06025-00 | SCREW, PAN HEAD | 2 | |
| 23 | 92990-06100-00 | WASHER, SPRING | 2 | |
| 24 | 92990-06600-00 | WASHER, PLATE | 2 | |
| 25 | 95895-06016-00 | BOLT, FLANGE | 2 | |
| 26 | 90480-13M24-00 | GROMMET | 2 | |
| 27 | 90387-06M40-00 | COLLAR | 2 | |
| 28 | 61N-24329-00-00 | SEAL | 1 | |
| 29 | 6H3-42727-00-00 | GROMMET | 1 | |
| 30 | 688-42726-10-00 | GROMMET | 1 | |
| 31 | 97880-06025-00 | SCREW, PAN HEAD | 1 | |
| 32 | 92990-06100-00 | WASHER, SPRING | 1 | |
| 33 | 92990-06600-00 | WASHER, PLATE | 1 | |
| 34 | 90464-09M43-00 | CLAMP | 1 | |


 62YUS-5121