

CYLINDER CRANKCASE

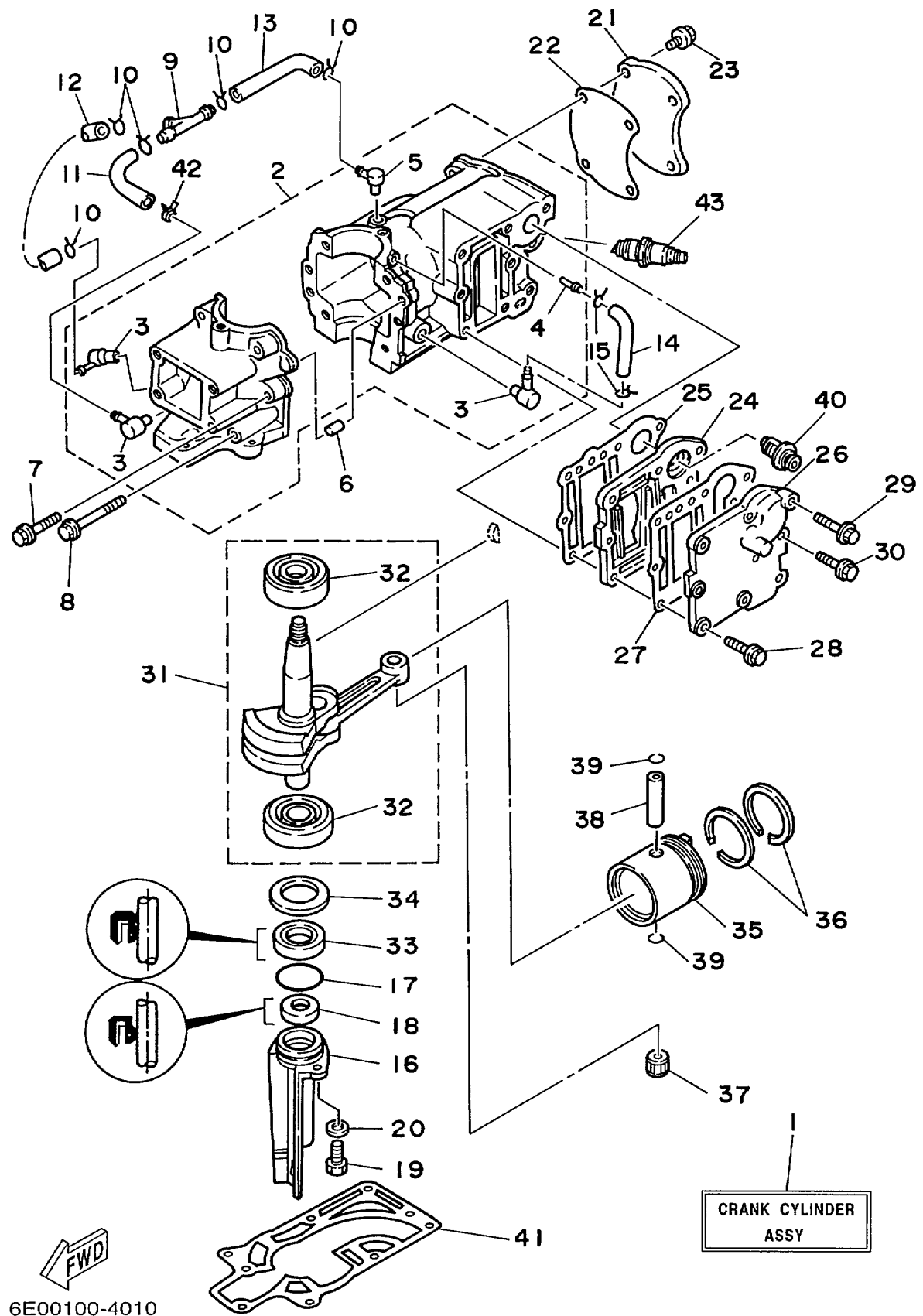
Ref No.	Part Number	Description	Qty	Remarks
1	6E0-W0090-04-1S	CRANK CYLINDER ASSEMBLY	1	UR 4 MH
1	6E3-W0090-04-1S	CRANK CYLINDER ASSY	1	UR 5 MH
2	6E3-15100-02-1S	CRANKCASE ASSY	1	UR 5 MH
2	6E0-15100-01-1S	CRANKCASE ASSEMBLY	1	UR 4 MH
3	650-11370-00-00	. CHECK VALVE ASSY	3	
4	624-14485-00-00	. .PIPE, JOINT	1	
5	6E5-11372-00-00	. .NIPPLE, HOSE	1	
6	93606-12019-00	PIN, DOWEL	2	
7	90105-06M16-00	.BOLT, FLANGE	4	
8	90105-06M17-00	BOLT, FLANGE	2	
9	6E0-24378-00-00	PIPE, JOINT 3	1	
10	90467-06016-00	CLIP	5	
11	90445-07M00-00	HOSE (L100)	1	
12	90445-07M28-00	.HOSE (L70)	1	
13	90445-07M32-00	HOSE (L120)	1	
14	90445-07M28-00	.HOSE (L70)	1	
15	90467-06016-00	CLIP	2	
16	6E0-15396-03-5B	HOUSING, OIL SEAL	1	
17	93210-31114-00	O-RING	1	
18	93101-10M25-00	.OIL SEAL	1	

CONTINUED ON NEXT FRAME >

6E00100-4010

4_5_mhx

A5



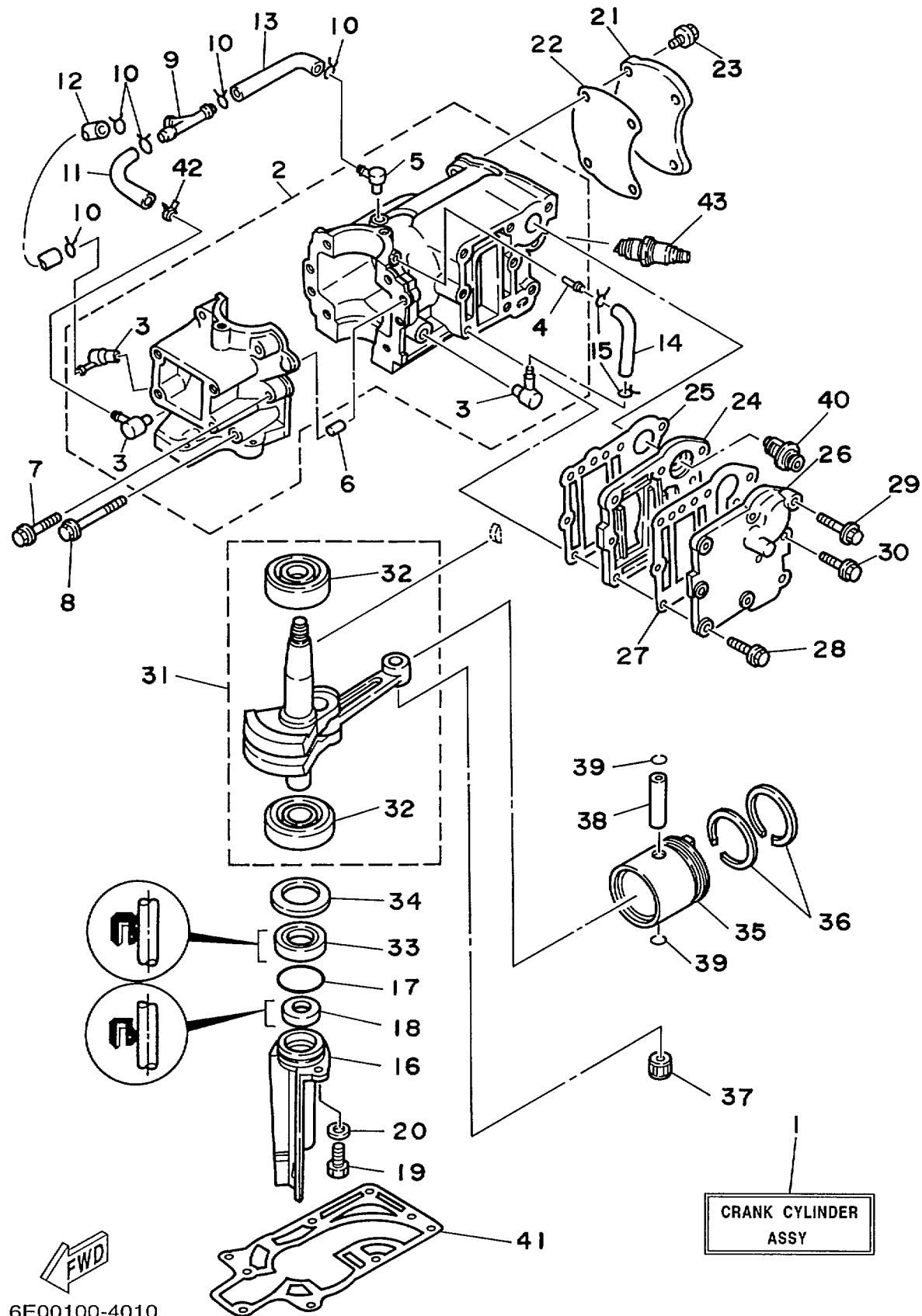
CYLINDER CRANKCASE

Ref No.	Part Number	Description	Qty	Remarks
19	97095-06016-00	BOLT	1	
20	92995-06600-00	WASHER	1	
21	6E0-11191-01-1S	COVER, CYLINDER HEAD 1	1	UR 4 MH
21	6E3-11191-01-1S	COVER, CYLINDER HEAD 1	1	UR 5 MH
22	6E0-11193-A1-00	GASKET, HD.COVER 1	1	UR 4 MH
22	6E3-11193-A1-00	.GASKET, HEAD COVER 1	1	UR 5 MH
23	90105-06M14-00	BOLT FLANGE	4	
24	6E0-41111-01-1S	INNER COVER, EXHAUST	1	UR 4 MH
24	6E3-41111-01-1S	INNER COVER, EXHAUST	1	UR 5 MH
25	6E3-41112-A1-00	.GASKET, EXHAUST INNER COVER	1	UR 5 MH
25	6E0-41112-A1-00	GASKET EXHAUST	1	UR 4 MH
26	6E0-41113-01-1S	OUTER COVER, EXHAUST	1	UR 4 MH
26	6E3-41113-01-1S	OUTER COVER, EXHAUST	1	UR 5 MH
27	6E0-41114-A1-00	GASKET, EXHAUST OUTER COVER	1	UR 4 MH
27	6E3-41114-A1-00	.GASKET, EXHAUST OUTER COVER	1	UR 5 MH
28	90105-06M24-00	.BOLT, FLANGE	8	UR 5 MH
28	90105-06M24-00	.BOLT, FLANGE	7	UR 4 MH
29	90105-06M16-00	.BOLT, FLANGE	1	
30	90105-06M14-00	BOLT FLANGE	1	
31	6E0-11400-00-00	CRANKSHAFT ASSEMBLY	1	

CONTINUED ON NEXT FRAME >

6E00100-4010

4_5_mhx



CYLINDER CRANKCASE

Ref No.	Part Number	Description	Qty	Remarks
31	6E3-11400-00-00	CRANKSHAFT ASSY	1	
32	93306-204U0-00	.BEARING	2	
33	93101-20M29-00	. OIL SEAL	1	
34	90201-32M48-00	WASHER, PLATE	1	
35	6E0-11631-00-98	PISTON STD	1	UR 4 MH
35	6E3-11631-00-98	PISTON (STD)	1	UR 5 MH
36	6J1-11610-00-00	PISTON RING SET (STD)	1	UR 5 MH
36	6G1-11610-00-00	PISTON RINGSET STD	1	UR 4 MH
37	93310-112V0-00	BEARING	1	
38	6G1-11633-00-00	PIN, PISTON	1	
39	93450-13022-00	CIRCLIP	2	
40	6E5-12411-01-00	THERMOSTAT	1	
41	6E0-45113-A1-00	. GASKET, UPPER CASING	1	
42	90468-07M02-00	CLIP	1	
43	NGK-B7HS0-00-00	PLUG, SPARK (NGK B7HS)	1	

6E00100-4010
4_5_mhx