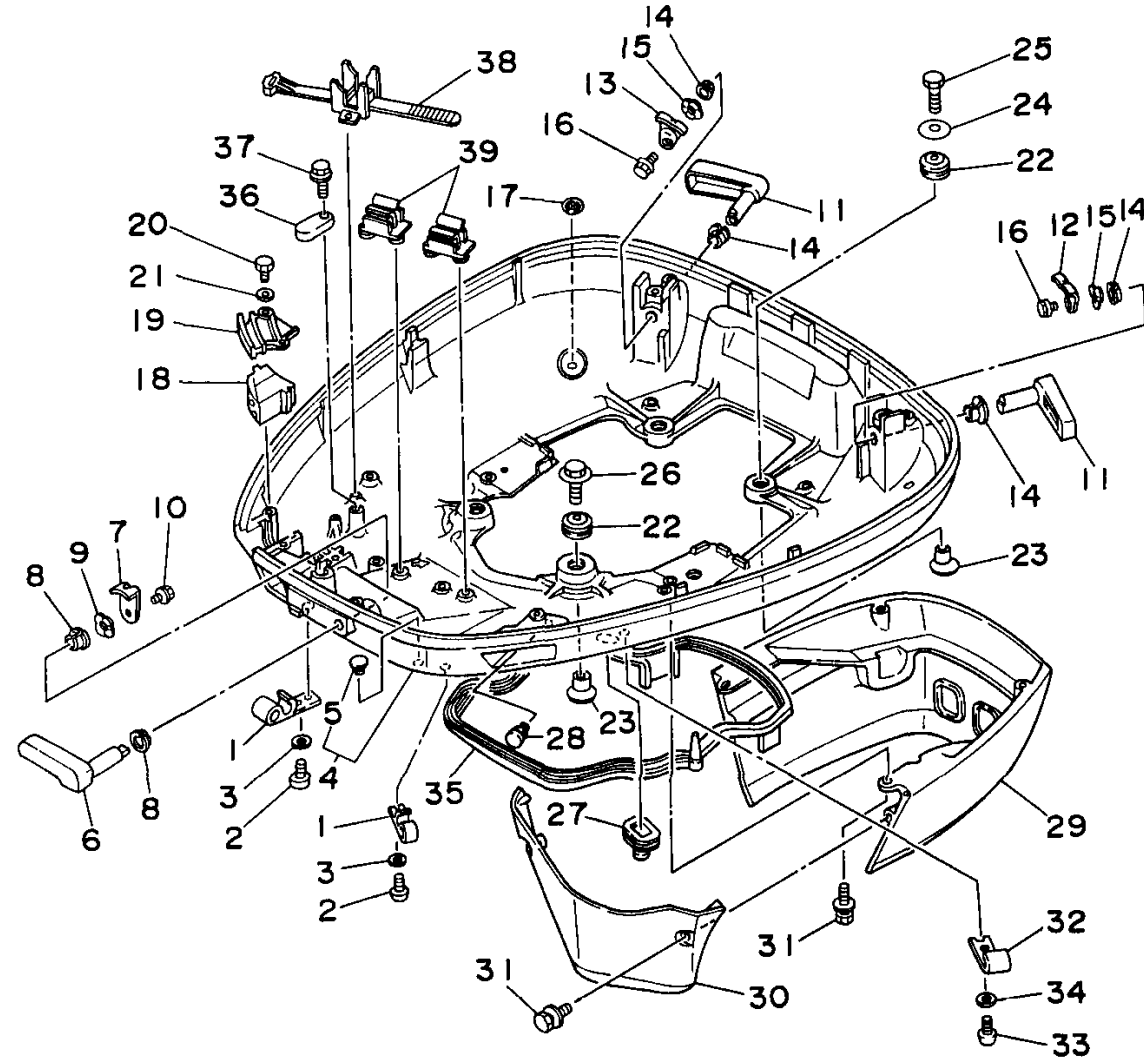


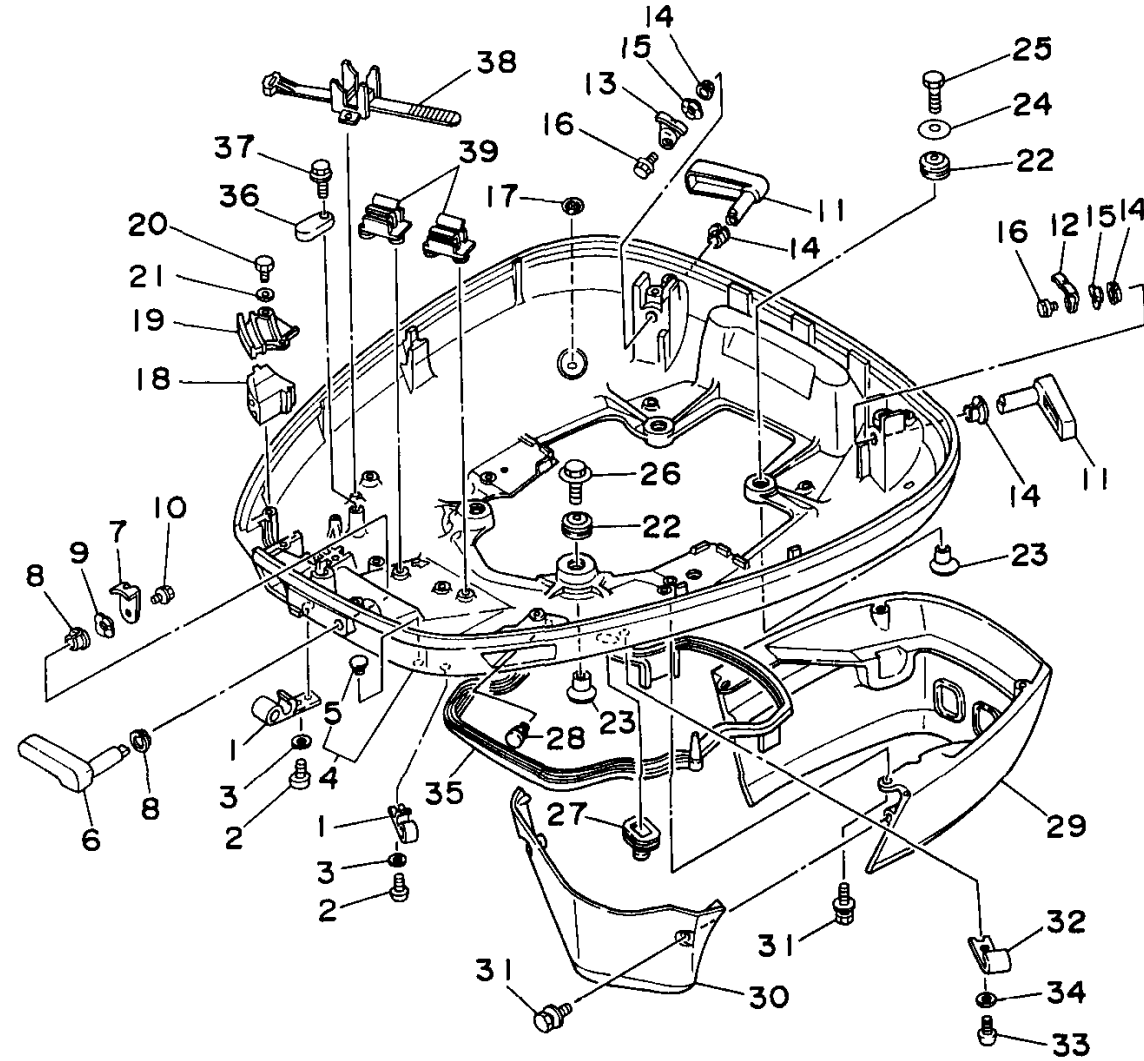
BOTTOM COWLING



Ref No.	Part Number	Description	Qty	Remarks
1	6E5-24367-01-00	CLAMP, FUEL PIPE 2	2	
2	90157-06M01-00	SCREW, PAN HEAD	2	
3	92990-06600-00	WASHER, PLATE	2	
4	6E5-W4271-05-4D	COWLING, BOTTOM	1	
5	6H4-42748-00-00	. GROMMET	1	
6	688-42815-01-4D	LEVER, CLAMP	1	
7	688-42816-00-00	LEVER, CLAMP 2	1	
8	90386-13M38-00	BUSH	2	
9	90206-13M10-00	WASHER, WAVE	1	
10	90119-06M09-00	BOLT, WITH WASHER	1	
11	6E5-42817-01-4D	LEVER, CLAMP	2	
12	6G5-42816-00-00	LEVER, CLAMP	1	
13	6E5-42816-01-00	LEVER, CLAMP	1	
14	90386-13M38-00	BUSH	4	
15	90206-13M10-00	WASHER, WAVE	2	
16	90119-06M09-00	BOLT, WITH WASHER	2	
17	6E5-44391-00-00	NIPPLE, HOSE	1	
18	6E5-42725-00-00	GROMMET	1	
19	6E5-42738-01-5B	PLATE, FITTING	1	
20	97095-06016-00	BOLT	2	

CONTINUED ON NEXT FRAME >

BOTTOM COWLING



Ref No.	Part Number	Description	Qty	Remarks
21	92990-06600-00	WASHER, PLATE	2	
22	90480-22M15-00	GROMMET	4	
23	90387-08M37-00	COLLAR	4	
24	90201-08M54-00	WASHER, PLATE	1	
25	97075-08035-00	BOLT	1	
26	90119-08M22-00	BOLT, WITH WASHER	3	
27	688-42726-10-00	GROMMET	1	
28	90480-10M36-00	GROMMET	1	
29	6E5-42741-01-4D	APRON	1	
30	6E5-42771-01-4D	APRON	1	
31	97595-06520-00	BOLT, WITH WASHER	6	
32	6E5-24367-10-00	CLAMP, FUEL PIPE 2	1	
33	90157-06M01-00	SCREW, PAN HEAD	1	
34	92990-06600-00	WASHER, PLATE	1	
35	6E5-42716-00-00	RUBBER, SEAL 1	1	
36	6E5-82588-00-00	PLATE	1	
37	97595-06520-00	BOLT, WITH WASHER	1	
38	688-82594-00-00	CLAMP	1	
39	6E5-82594-00-00	CLAMP	2	