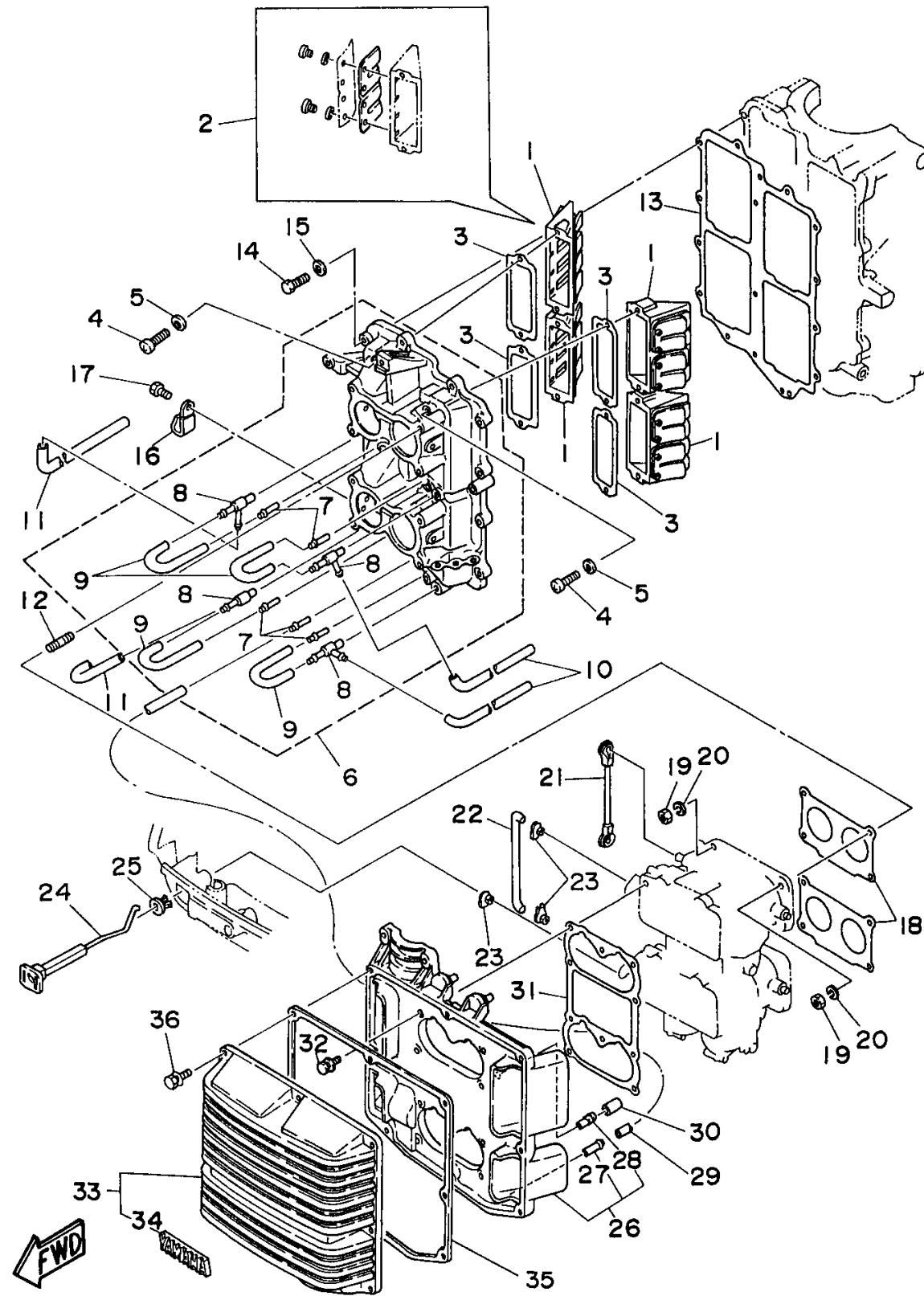
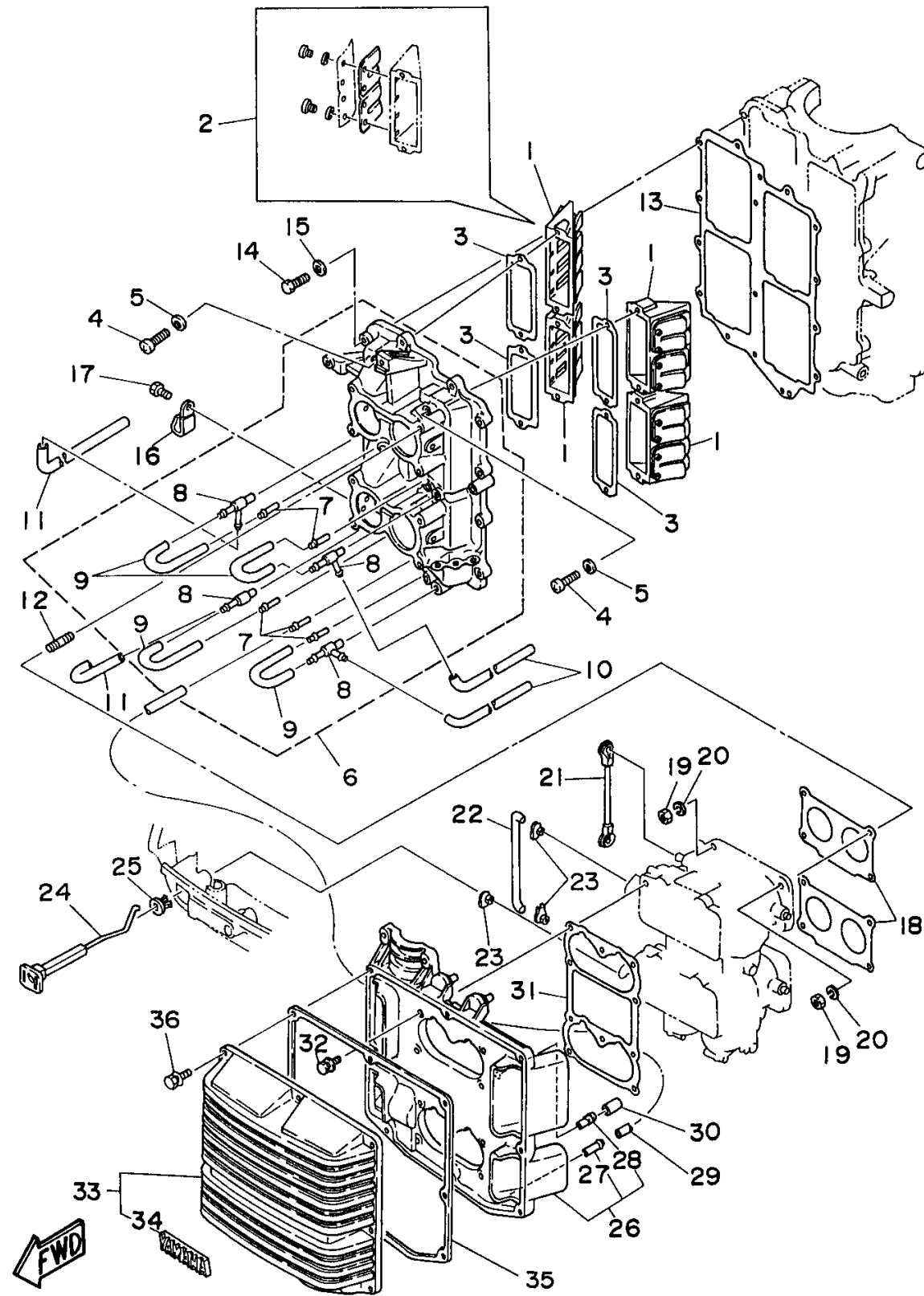


INTAKE



Ref No.	Part Number	Description	Qty	Remarks
1	6E5-13610-00-00	REED VALVE ASSY	4	
2	6E5-W0004-00-00	. .REED SET	1	
3	6E5-13621-A1-00	.GASKET, VALVE SEAT	4	
4	98580-05525-00	SCREW, PAN HEAD	8	
5	92990-05600-00	WASHER, PLATE	8	
6	6E5-13641-03-94	MANIFOLD 1	1	
7	624-14485-00-00	. .PIPE, JOINT	5	
8	6E5-11370-00-00	. .CHECK VALVE ASSY	4	
9	90445-07M28-00	. .HOSE (L70)	4	
10	90445-07M24-00	HOSE (L240)	2	
11	90445-07M46-00	HOSE (L360)	2	
12	90116-06M30-00	BOLT, STUD	8	
13	6E5-13645-A1-00	GASKET, MANIFOLD 1	1	
14	97095-06025-00	BOLT	12	
15	92990-06600-00	WASHER, PLATE	12	
16	90465-08028-00	CLAMP	1	
17	97013-06012-00	BOLT	1	
18	6E5-14198-A2-00	.GASKET	2	
19	95380-06600-00	NUT, HEXAGON	8	
20	92995-06100-00	WASHER, SPRING	8	

CONTINUED ON NEXT FRAME >



INTAKE

Ref No.	Part Number	Description	Qty	Remarks
21	6E5-41217-01-00	ROD, ACCEL. LEVER	1	
22	6E5-41256-01-00	ROD, CHOKE 1	1	
23	661-41262-02-00	JOINT, CHOKE LEVER	3	
24	6E5-41271-02-00	KNOB, CHOKE	1	
25	689-41273-00-00	GROMMET	1	
26	6E5-14417-10-94	COVER 1	1	
27	624-14485-00-00	. PIPE, JOINT	1	
28	6E5-14485-00-00	. PIPE, JOINT	1	
29	90445-07M23-00	HOSE (L408)	1	
30	647-14395-60-00	CAP, OVERFLOW PIPE	1	
31	6E5-14483-A1-00	GASKET	1	
32	97595-06520-00	BOLT, WITH WASHER	8	
33	6E5-14418-00-00	COVER 2	1	
34	6E5-1441K-00-00	. EMBLEM	1	
35	6E5-14416-A1-00	GASKET, AIR CLEANER	1	
36	90119-06M31-00	BOLT, WITH WASHER	8	