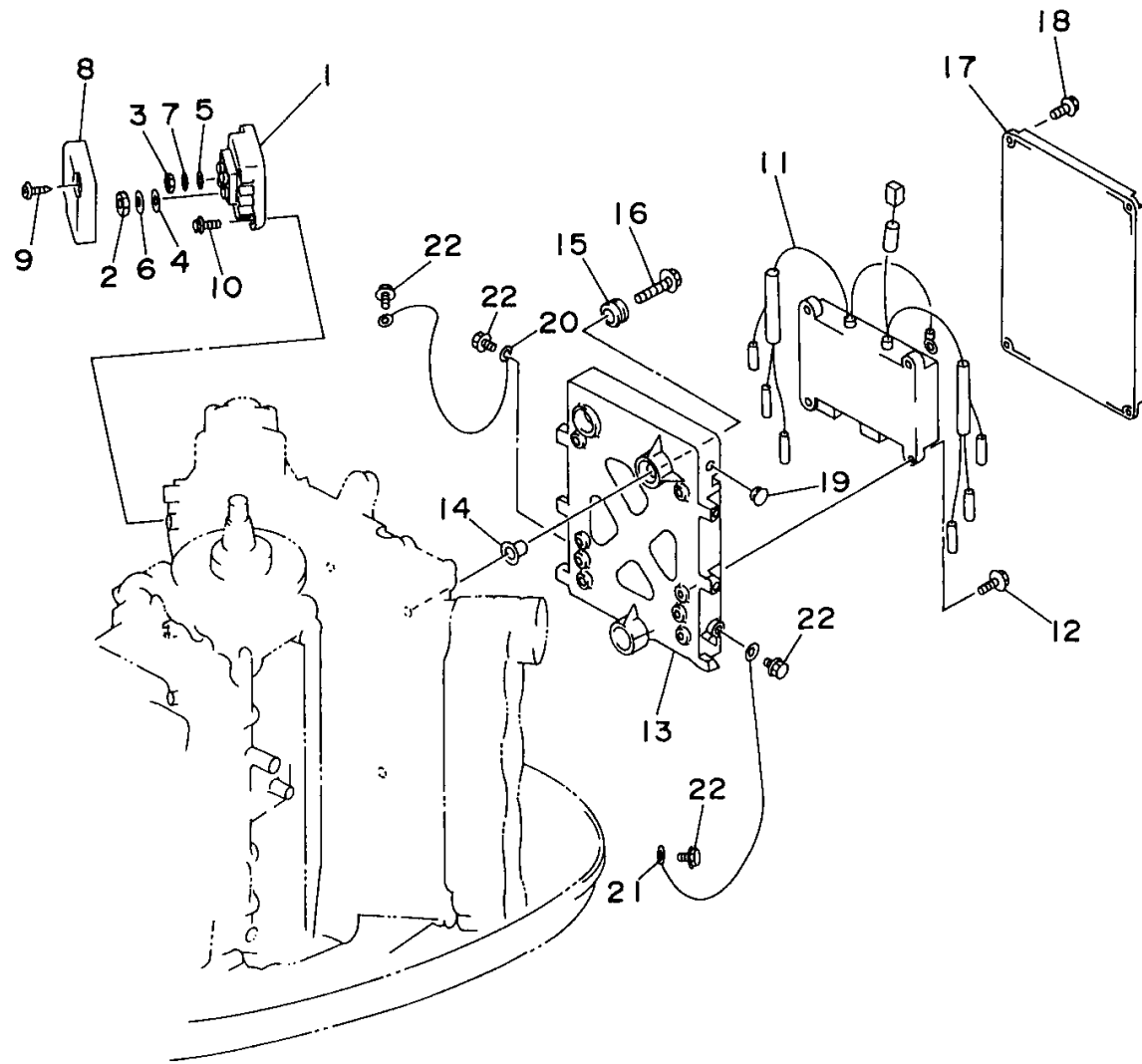


FWD

ELECTRICAL 1

Ref No.	Part Number	Description	Qty	Remarks
1	6G5-81960-A0-00	RECTIFIER & REGULATOR ASSY	1	
2	95380-05600-00	.NUT	3	
3	95380-06600-00	NUT, HEXAGON	1	
4	92990-05200-00	.WASHER, PLAIN	3	
5	92990-06200-00	WASHER, PLAIN	1	
6	92990-05100-00	WASHER, SPRING	3	
7	92995-06100-00	WASHER, SPRING	1	
8	688-81961-01-00	COVER	1	
9	97985-05225-00	SCREW, WITH WASHER	2	
10	97513-06520-00	BOLT, WITH WASHER	2	
11	6G6-85540-00-00	C.D.I. UNIT ASSEMBLY	1	
12	97980-06220-00	SCREW, WITH WASHER	4	
13	6R3-85542-03-4D	BRACKET	1	
14	90387-06M03-00	COLLAR	3	
15	90480-09M12-00	GROMMET	3	
16	90119-06M06-00	BOLT, WITH WASHER	3	
17	6R3-85537-00-00	COVER	1	
18	90159-06M11-00	SCREW, WITH WASHER	4	
19	90480-12M25-00	GROMMET	1	
20	662-82519-00-00	WIRE, EARTH LEAD	1	

CONTINUED ON NEXT FRAME >



ELECTRICAL 1

Ref No.	Part Number	Description	Qty	Remarks
21	6R3-82519-00-00	WIRE, EARTH LEAD	1	
22	97595-06512-00	BOLT, WITH WASHER	4	