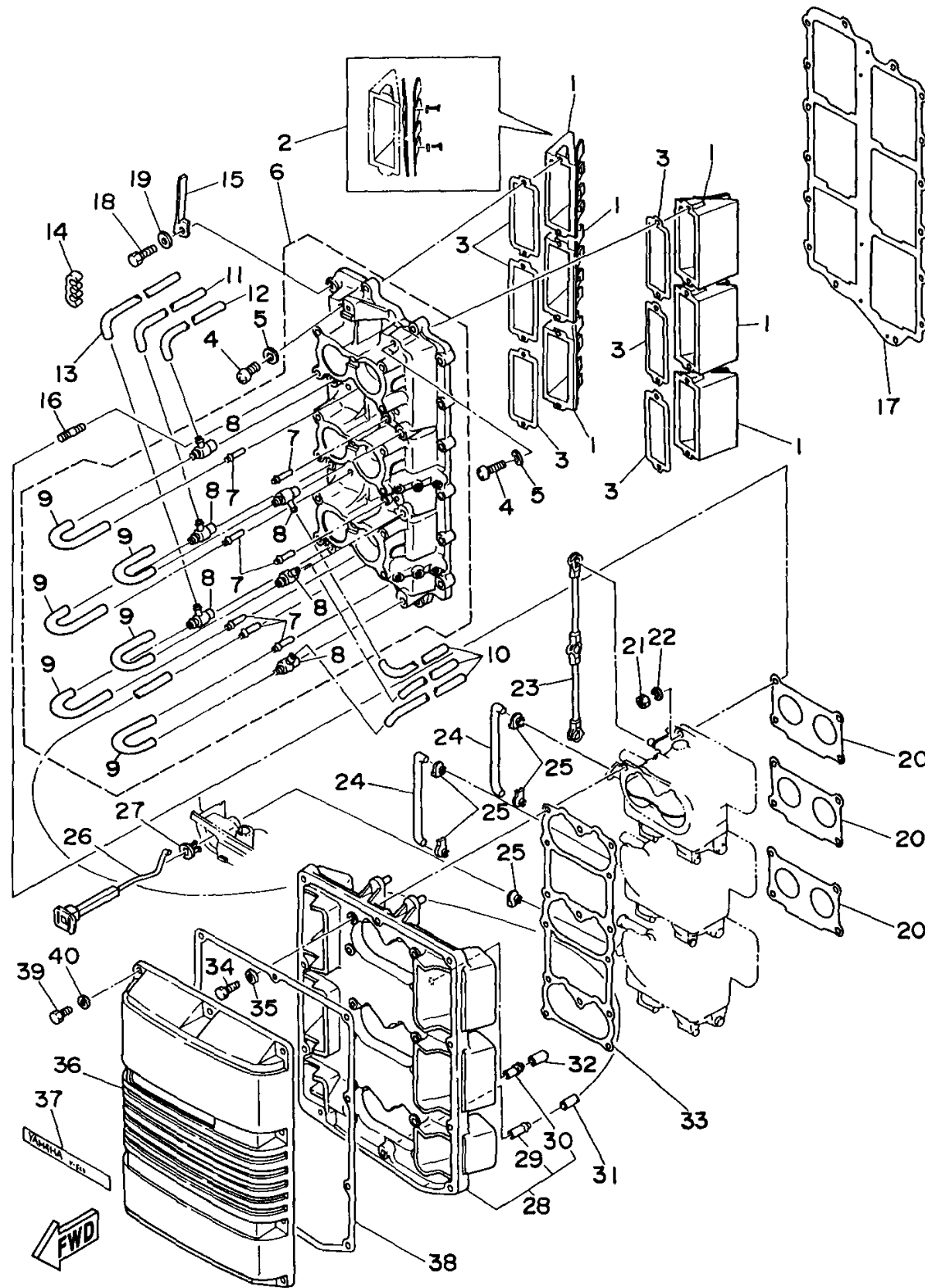


INTAKE

| Ref No. | Part Number | Description | Qty | Remarks |
|---------|-----------------|---------------------|-----|---------|
| 1 | 6G5-13610-00-00 | REED VALVE ASSY | 6 | |
| 2 | 6E5-W0004-00-00 | .REED SET | 1 | |
| 3 | 6E5-13621-A1-00 | .GASKET, VALVE SEAT | 6 | |
| 4 | 98580-05016-00 | SCREW, PAN HEAD | 12 | |
| 5 | 92990-05600-00 | WASHER, PLATE | 12 | |
| 6 | 6G5-13641-00-94 | MANIFOLD 1 | 1 | |
| 7 | 624-14485-00-00 | .PIPE, JOINT | 7 | |
| 8 | 6E5-11370-00-00 | .CHECK VALVE ASSY | 6 | |
| 9 | 90445-07M28-00 | .HOSE (L70) | 6 | |
| 10 | 90445-07M45-00 | HOSE (L340) | 3 | |
| 11 | 90445-07M46-00 | HOSE (L360) | 1 | |
| 12 | 90445-07M09-00 | HOSE (L380) | 1 | |
| 13 | 90445-07M59-00 | HOSE (L410) | 1 | |
| 14 | 90464-07M05-00 | CLAMP | 2 | |
| 15 | 90465-07M20-00 | CLAMP | 2 | |
| 16 | 90116-06M30-00 | BOLT, STUD | 12 | |
| 17 | 6G5-13645-A1-00 | GASKET, MANIFOLD 1 | 1 | |
| 18 | 97095-06025-00 | .BOLT | 16 | |
| 19 | 92990-06600-00 | .WASHER, PLATE | 16 | |
| 20 | 6E5-14198-A2-00 | .GASKET | 3 | |

CONTINUED ON NEXT FRAME >



INTAKE

| Ref No. | Part Number | Description | Qty | Remarks |
|---------|-----------------|---------------------|-----|---------|
| 21 | 95380-06600-00 | NUT, HEXAGON | 12 | |
| 22 | 92995-06100-00 | WASHER, SPRING | 12 | |
| 23 | 6G5-41217-01-00 | ROD, ACCEL. LEVER | 1 | |
| 24 | 6E5-41256-01-00 | ROD, CHOKE 1 | 2 | |
| 25 | 661-41262-02-00 | JOINT, CHOKE LEVER | 5 | |
| 26 | 6E5-41271-02-00 | KNOB, CHOKE | 1 | |
| 27 | 689-41273-00-00 | GROMMET | 1 | |
| 28 | 6G5-14417-10-94 | COVER 1 | 1 | |
| 29 | 624-14485-00-00 | . PIPE, JOINT | 1 | |
| 30 | 6E5-14485-00-00 | . PIPE, JOINT | 1 | |
| 31 | 90445-07M23-00 | HOSE (L408) | 1 | |
| 32 | 647-14395-60-00 | CAP, OVERFLOW PIPE | 1 | |
| 33 | 6G5-14483-A1-00 | GASKET | 1 | |
| 34 | 97095-06020-00 | BOLT | 12 | |
| 35 | 92990-06600-00 | .WASHER, PLATE | 12 | |
| 36 | 6G5-14418-00-00 | COVER 2 | 1 | |
| 37 | 6G5-1441K-00-00 | EMBLEM | 1 | |
| 38 | 6G5-14416-A1-00 | GASKET, AIR CLEANER | 1 | |
| 39 | 97095-06020-00 | BOLT | 10 | |
| 40 | 92990-06600-00 | .WASHER, PLATE | 10 | |

