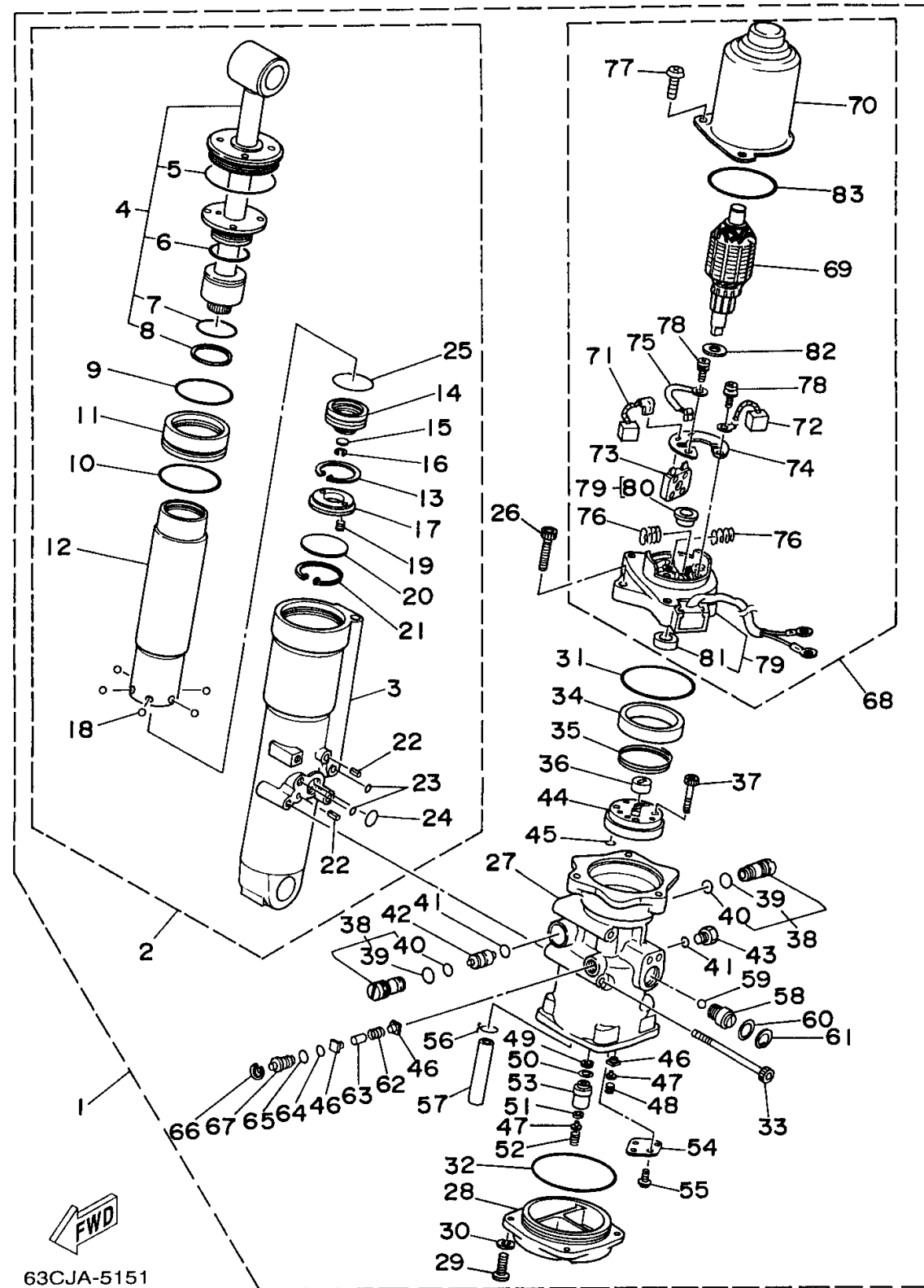


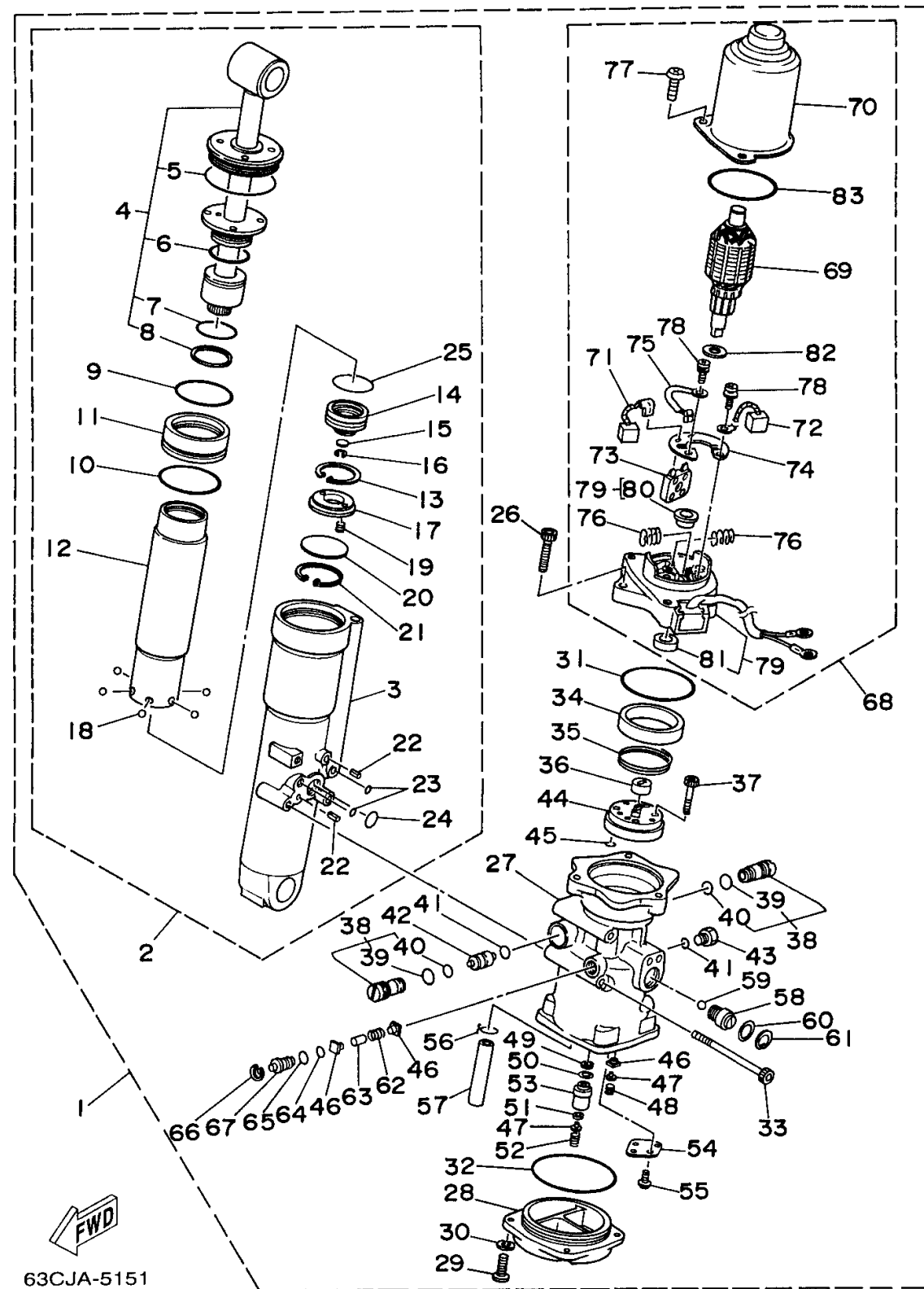
# POWER TRIM TILT ASSEMBLY 1



Ref No.	Part Number	Description	Qty	Remarks
1	62X-43800-02-4D	POWER TRIM & TILT ASSEMBLY	1	
2	62X-43840-01-00	. POWER TILT ASSY	1	
3	62X-4380K-00-00	.. SPRING, BRUSH	1	
4	62X-43810-01-00	.. TILT PISTON SUB ASSY	1	
5	62X-43861-00-00	...O-RING	1	
6	62X-43862-00-00	...O-RING	1	
7	93210-29375-00	...O-RING	1	
8	62X-43871-00-00	...RING, BACK UP	1	
9	93210-44383-00	.. O-RING	1	
10	93210-48214-00	...O-RING	1	
11	62X-4388A-00-00	.. PISTON, TRIM	1	
12	62X-22471-00-00	.. CYLINDER, SHOCK ABSORBER	1	
13	99009-35500-00	.. CIRCLIP	1	
14	62X-43814-00-00	.. PISTON, FREE	1	
15	6H1-4384G-11-00	...SEAL, RELIEF VALVE	1	
16	61A-43875-00-00	...RING, SNAP	1	
17	62X-43899-00-00	.. PLATE STOPPER	1	
18	93503-16003-00	.. BALL	6	
19	62X-4384H-00-00	.. SPRING	2	
20	1UF-22434-00-00	.. PLATE, VALVE 1	1	

CONTINUED ON NEXT FRAME >

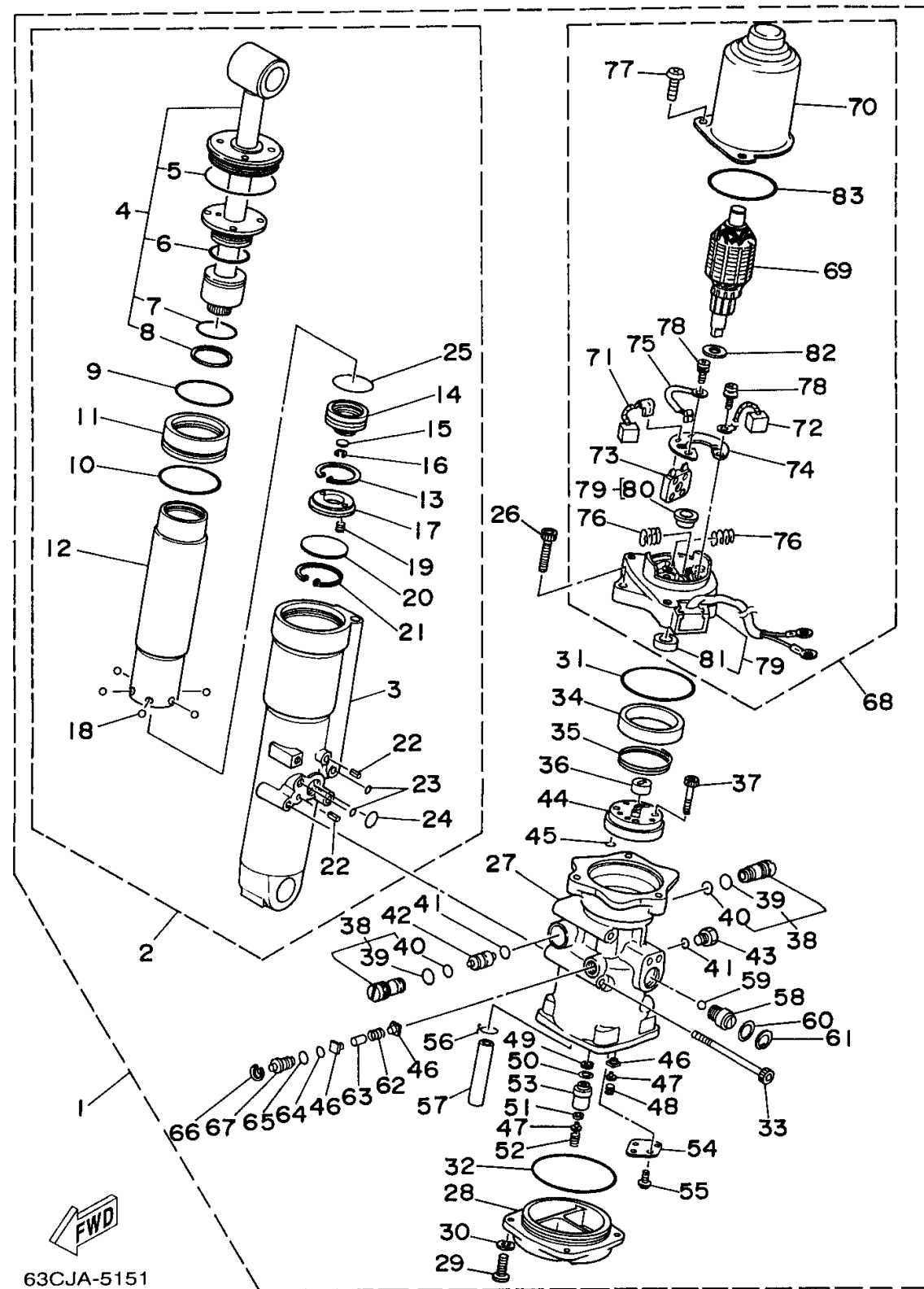
# POWER TRIM TILT ASSEMBLY 1



Ref No.	Part Number	Description	Qty	Remarks
21	62X-43875-00-00	.. RING, SNAP	1	
22	91690-40010-00	.. PIN, SPRING	2	
23	93210-06519-00	.. O-RING	2	
24	62X-43864-00-00	.. O-RING	1	
25	93210-29375-00	...O-RING	1	
26	62X-43888-00-00	. BOLT, SOCKET	3	
27	62X-4380L-00-00	. HOUSING, TRIM & TILT SUB ASSY	1	
28	62X-4385M-00-00	. PLATE, RESERVOIR	1	
29	97095-06016-00	. BOLT	4	
30	92995-06100-00	. WASHER, SPRING	4	
31	62X-43865-00-00	. O-RING	1	
32	62X-43866-00-00	. O-RING	1	
33	62X-43878-00-00	..BOLT, SOCKET	3	
34	6H1-43817-01-00	..FILTER 2	1	
35	6H1-4385H-00-00	..SPRING, SEAL	1	
36	6H1-43831-10-00	. CONNECTOR, SHAFT	1	
37	91318-04025-00	..BOLT	4	
38	6T4-43802-02-00	. VALVE SUB ASSEMBLY.	2	
39	6H1-43866-00-00	...O-RING	1	
40	6H1-43867-00-00	....O-RING	1	

CONTINUED ON NEXT FRAME >

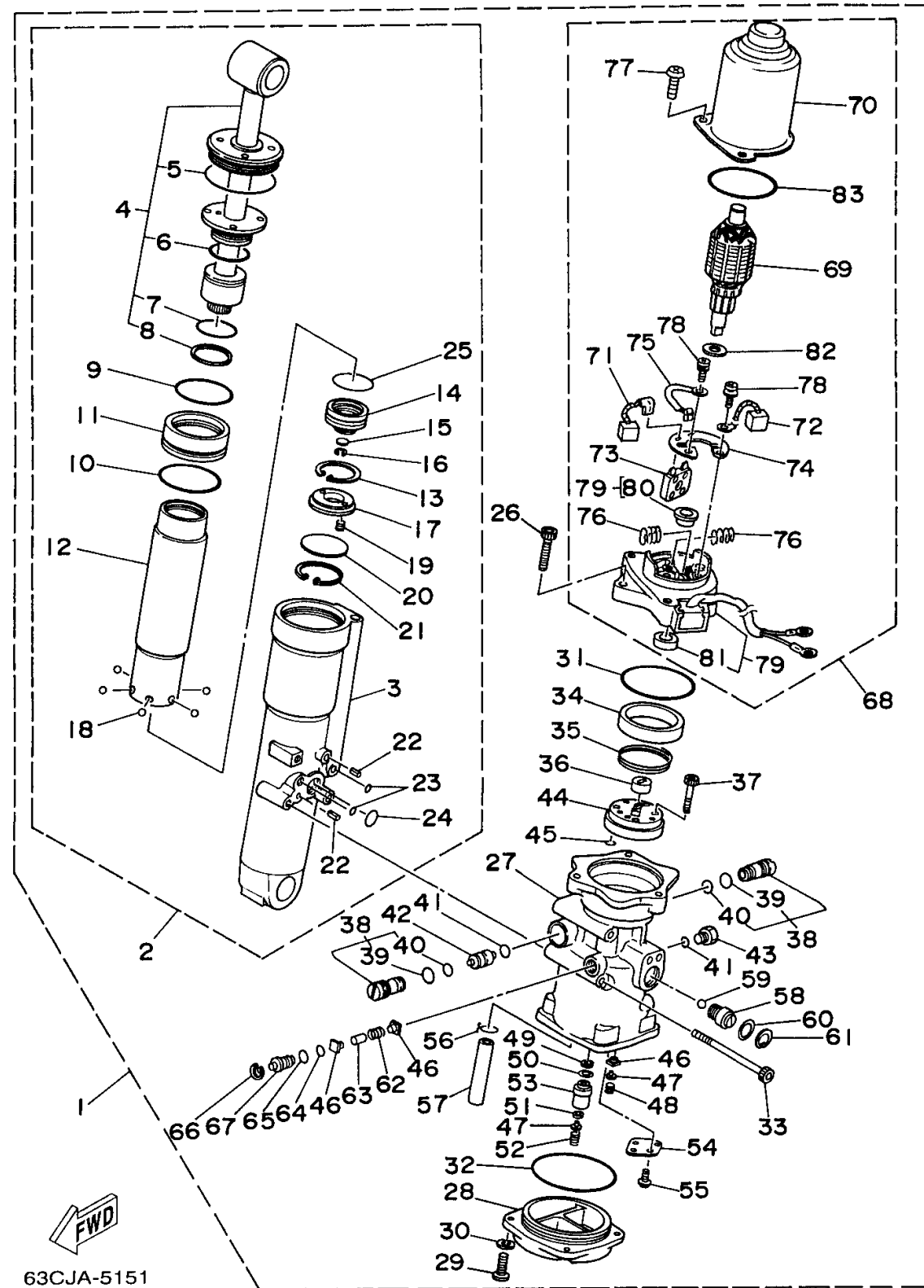
# POWER TRIM TILT ASSEMBLY 1



Ref No.	Part Number	Description	Qty	Remarks
41	93210-09350-00	. O-RING	2	
42	62X-43841-00-00	. .PISTON, SHUTTLE	1	
43	6H1-43829-00-00	. PLUG, RESERVOIR	1	
44	62X-43830-00-00	. GEAR PUMP ASSY	1	
45	93210-06519-00	. O-RING	2	
46	6H1-4384F-10-00	. .SEAL, MAIN VALVE	3	
47	6H1-43844-10-00	. .PIN, VALVE SUPPORT	2	
48	6H1-43856-10-00	. .SPRING, DOWN RELIEF	1	
49	6H1-43816-00-00	. FILTER 1	1	
50	6H1-43896-00-00	. .O-RING	1	
51	6H1-4384G-11-00	. .SEAL, RELIEF VALVE	1	
52	6H1-43855-11-00	. .SPRING, UP RELIEF	1	
53	6H1-43895-11-00	. .SEAT, RELIEF VALVE	1	
54	62X-4382L-00-00	. CAP, RELIEF VALVE	1	
55	97607-05210-00	. SCREW, WITH WASHER	2	
56	90647-11032-00	. CLIP	1	
57	62X-4383A-00-00	. HOSE	1	
58	62X-43860-00-00	. MANUAL VALVE SUB-ASSY	1	
59	93505-32038-00	. .BALL	1	
60	93210-18397-00	. O-RING	1	

CONTINUED ON NEXT FRAME >

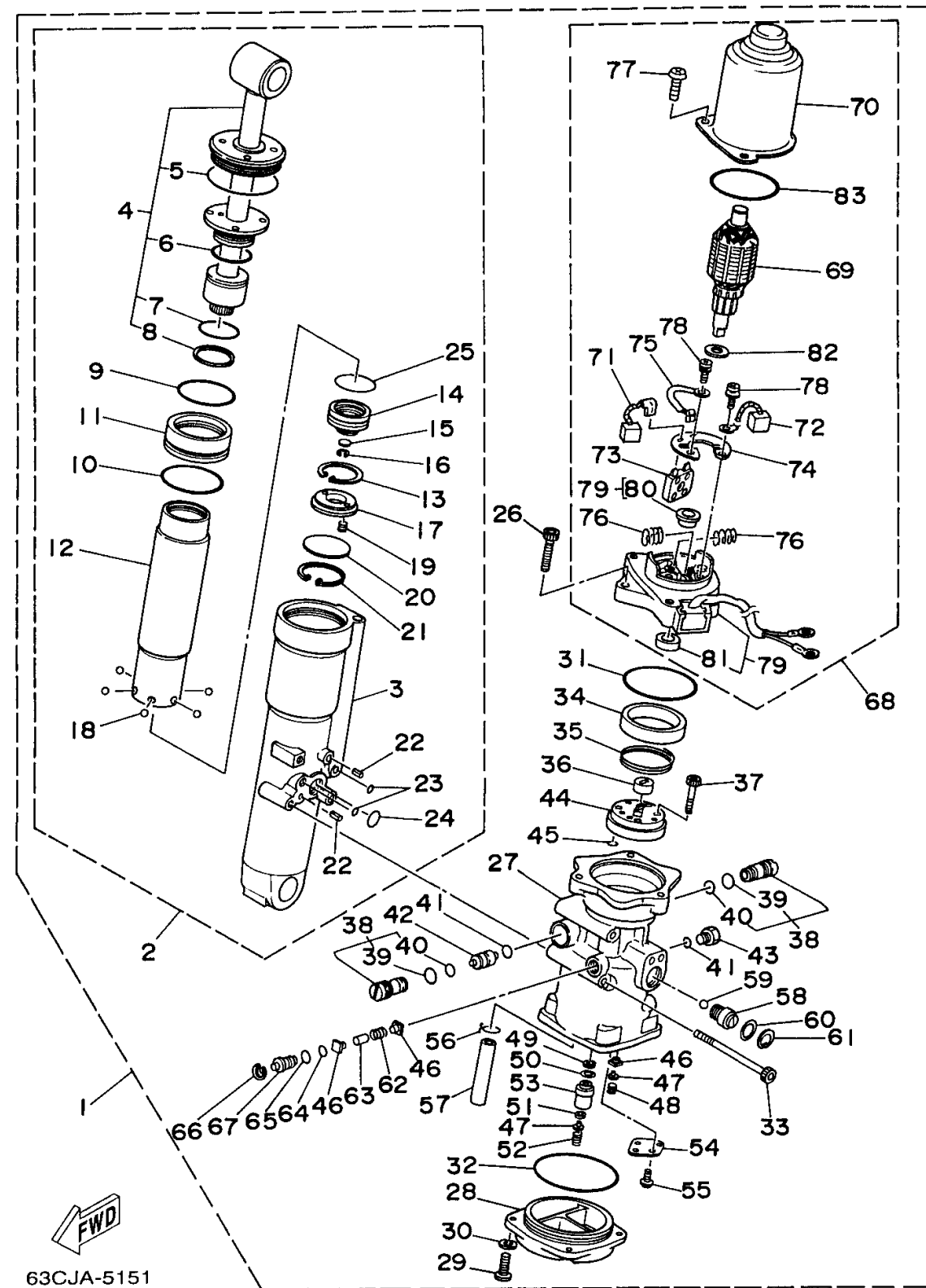
# POWER TRIM TILT ASSEMBLY 1



Ref No.	Part Number	Description	Qty	Remarks
61	6H1-43875-00-00	. RING, SNAP	1	
62	61A-4385H-00-00	..SPRING, SEAL	1	
63	93605-10108-00	. PIN, DOWEL	1	
64	93210-06632-00	..O-RING	1	
65	93210-07540-00	..O-RING	1	
66	6T4-43876-00-00	..RING, SNAP	1	
67	6T4-43849-00-00	..PIN, VALVE SUPPORT	1	
68	62X-43880-00-00	. MOTOR ASSEMBLY	1	
69	62X-43805-00-00	.. ARMATURE ASSY	1	
70	62X-43804-00-00	.. STATOR ASSEMBLY	1	
71	62X-43891-00-00	.. BRUSH 1	1	
72	62X-43892-00-00	.. BRUSH 2	1	
73	62X-82181-00-00	.. CIRCUIT BREAKER COMP.	1	
74	62X-4380F-00-00	...PLATE, BRUSH HOLDER	1	
75	62X-43807-00-00	... WIRE SUB ASSY	1	
76	62X-4386K-00-00	.. SPRING, BRUSH	2	
77	97880-05020-00	.. SCREW, PAN HEAD	3	
78	98517-04012-00	...SCREW, PAN HEAD	2	
79	62X-43881-00-00	...FRAME, END	1	
80	62X-4380H-00-00	...METAL	1	

CONTINUED ON NEXT FRAME >

# POWER TRIM TILT ASSEMBLY 1



Ref No.	Part Number	Description	Qty	Remarks
81	93102-08414-00	...OIL SEAL	1	
82	90201-083J8-00	...WASHER, PLATE	1	
83	93210-50582-00	.. O-RING	1	