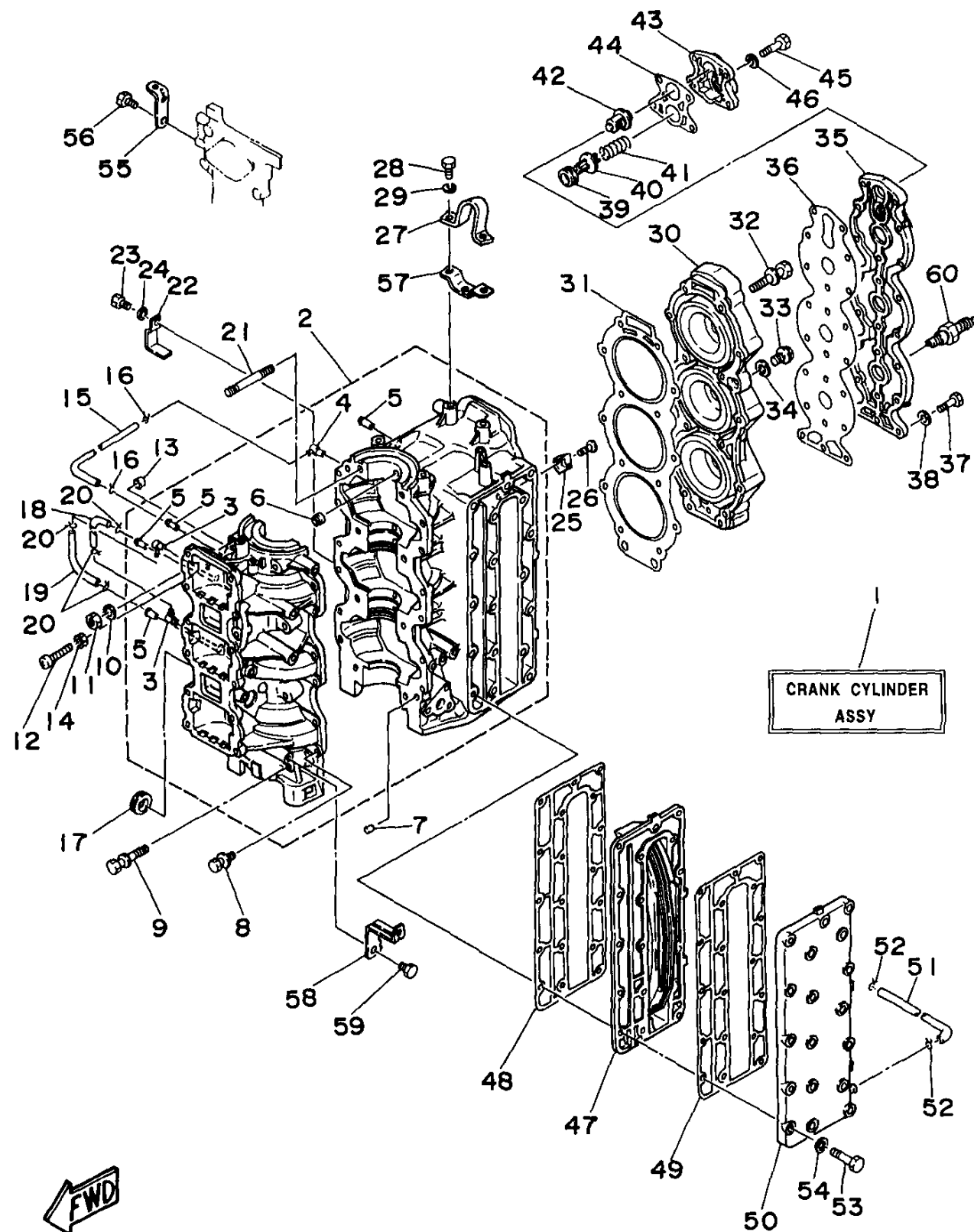


# CYLINDER CRANKCASE

Ref No.	Part Number	Description	Qty	Remarks
1	6H0-W0090-00-4D	CRANK CYLINDER ASSEMBLY	1	
2	6H1-15100-03-94	CRANKCASE ASSEMBLY	1	
3	688-11370-00-00	. CHECK VALVE ASSY	2	
4	650-11370-00-00	. CHECK VALVE ASSY	1	
5	624-14485-00-00	. .PIPE, JOINT	4	
6	663-11518-01-00	. .LOCK, BEARING	3	
7	93608-12063-00	PIN, DOWEL	2	
8	90119-06M12-00	BOLT, WITH WASHER	12	
9	90119-10M07-00	BOLT, WITH WASHER	6	
10	90201-100F7-00	WASHER, PLATE	2	
11	95314-10600-00	NUT	2	
12	90157-06M12-00	SCREW, PAN HEAD	1	
13	688-44194-00-00	CAP	1	
14	95380-06700-00	NUT	1	
15	90445-07260-00	HOSE (L276)	1	
16	90467-06016-00	CLIP	2	
17	90480-24M04-00	GROMMET	1	
18	90445-07M00-00	HOSE (L100)	1	
19	90445-07M23-00	HOSE (L408)	1	
20	90467-06016-00	CLIP	4	

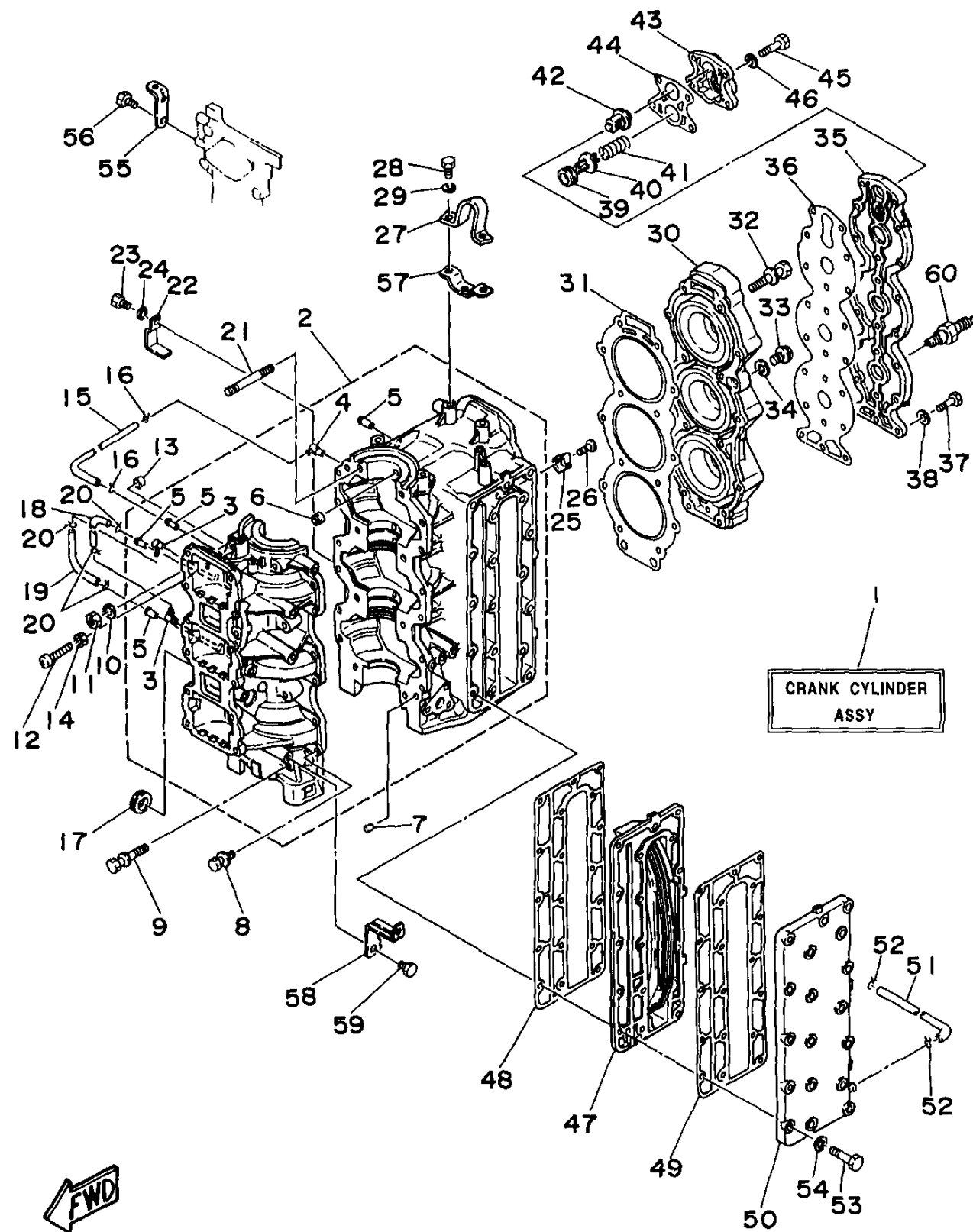
CONTINUED ON NEXT FRAME >



# CYLINDER CRANKCASE

Ref No.	Part Number	Description	Qty	Remarks
21	90116-10M06-00	BOLT, STUD	2	
22	90465-12M03-00	CLAMP	1	
23	97095-06014-00	BOLT	1	
24	92995-06100-00	WASHER, SPRING	1	
25	688-11325-00-00	ANODE	2	
26	98780-04015-00	SCREW, FLAT HEAD	2	
27	688-11119-00-00	HANGER, ENGINE	1	
28	97013-08020-00	BOLT	2	
29	92990-08100-00	WASHER, SPRING	2	
30	6H1-11111-01-94	HEAD, CYLINDER 1	1	
31	688-11181-A1-00	.GASKET, CYLINDER HEAD 1	1	
32	90119-08M21-00	BOLT, WITH WASHER	14	
33	90340-14M00-00	.PLUG, STRAIGHT SCREW	1	
34	90430-14115-00	.GASKET	1	
35	688-11191-00-9M	COVER, CYLINDER HEAD 1	1	
36	688-11193-A1-00	GASKET, HEAD COVER 1	1	
37	97095-06025-00	BOLT	18	
38	92990-06600-00	WASHER, PLATE	18	
39	90480-20M05-00	GROMMET	1	
40	688-12416-00-00	VALVE, PRESSURE CONTROL	1	

CONTINUED ON NEXT FRAME >



# CYLINDER CRANKCASE

Ref No.	Part Number	Description	Qty	Remarks
41	90501-16M11-00	SPRING, COMPRESSION	1	
42	688-12411-10-00	THERMOSTAT	1	
43	688-12413-00-9M	COVER, THERMOSTAT	1	
44	688-12414-A1-00	.GASKET, COVER	1	
45	97014-06035-00	BOLT, HEXAGON	4	
46	92990-06600-00	WASHER, PLATE	4	
47	688-41111-00-9M	INNER COVER, EXHAUST	1	
48	688-41112-A0-00	GASKET, EXHAUST INNER COVER	1	
49	688-41114-A0-00	.GASKET, EXHAUST OUTER COVER	1	
50	688-41113-00-9M	OUTER COVER, EXHAUST	1	
51	663-24312-01-00	PIPE 2	1	
52	90467-08004-00	CLIP	2	
53	97013-08040-00	BOLT	18	
54	92990-08600-00	.WASHER, PLATE	18	
55	6H1-15772-00-00	STAY 2	1	
56	97095-06012-00	BOLT	2	
57	6H1-15773-00-00	STAY 3	1	
58	6H1-21796-00-00	HINGE	1	
59	97313-08012-00	BOLT, HEXAGON	1	
60	NGK-B8HS1-00-00	PLUG, SPARK (NGK B8HS-10)	3	UR

