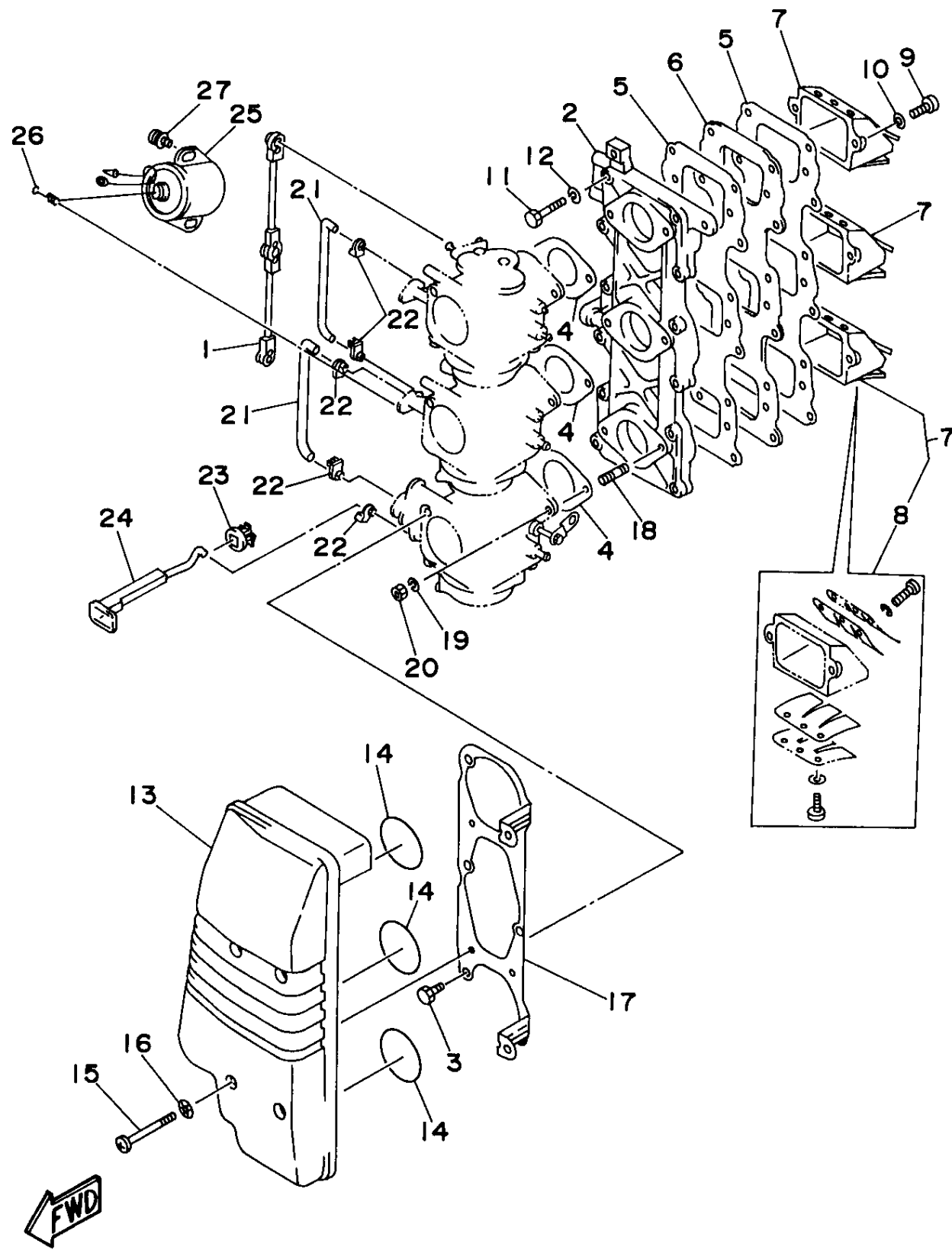


# INTAKE

Ref No.	Part Number	Description	Qty	Remarks
1	688-41217-01-00	ROD, ACCEL. LEVER	1	
2	688-13641-00-94	MANIFOLD 1	1	
3	97095-06012-00	BOLT	6	
4	688-14198-A1-00	GASKET	3	
5	688-13621-A1-00	.GASKET, VALVE SEAT	2	
6	688-13624-00-00	PLATE, REED VALVE	1	
7	688-13610-00-00	REED VALVE ASSY	3	
8	688-W0004-00-00	. . REED SET	1	
9	97880-05020-00	SCREW, PAN HEAD	6	
10	92990-05100-00	.WASHER, SPRING	6	
11	97095-06030-00	BOLT	12	
12	92995-06100-00	WASHER, SPRING	12	
13	6H1-14440-02-00	SILENCER ASSY, INTAKE	1	
14	93210-46044-00	.O-RING	3	
15	97885-06050-00	SCREW, PAN HEAD	4	
16	90209-06M05-00	WASHER	4	
17	6H0-14413-00-00	STAY	1	
18	90116-06M30-00	BOLT, STUD	6	
19	92995-06100-00	WASHER, SPRING	6	
20	95380-06600-00	NUT, HEXAGON	6	

CONTINUED ON NEXT FRAME >



## INTAKE

Ref No.	Part Number	Description	Qty	Remarks
21	688-41257-01-00	ROD, CHOKE 2	2	
22	661-41262-02-00	JOINT, CHOKE LEVER	5	
23	689-41273-00-00	GROMMET	1	
24	692-41256-00-00	ROD, CHOKE 1	1	
25	688-86110-01-00	SOLENOID COIL ASSEMBLY	1	
26	93210-03261-00	O-RING	1	
27	90159-06M19-00	SCREW, WITH WASHER	2	