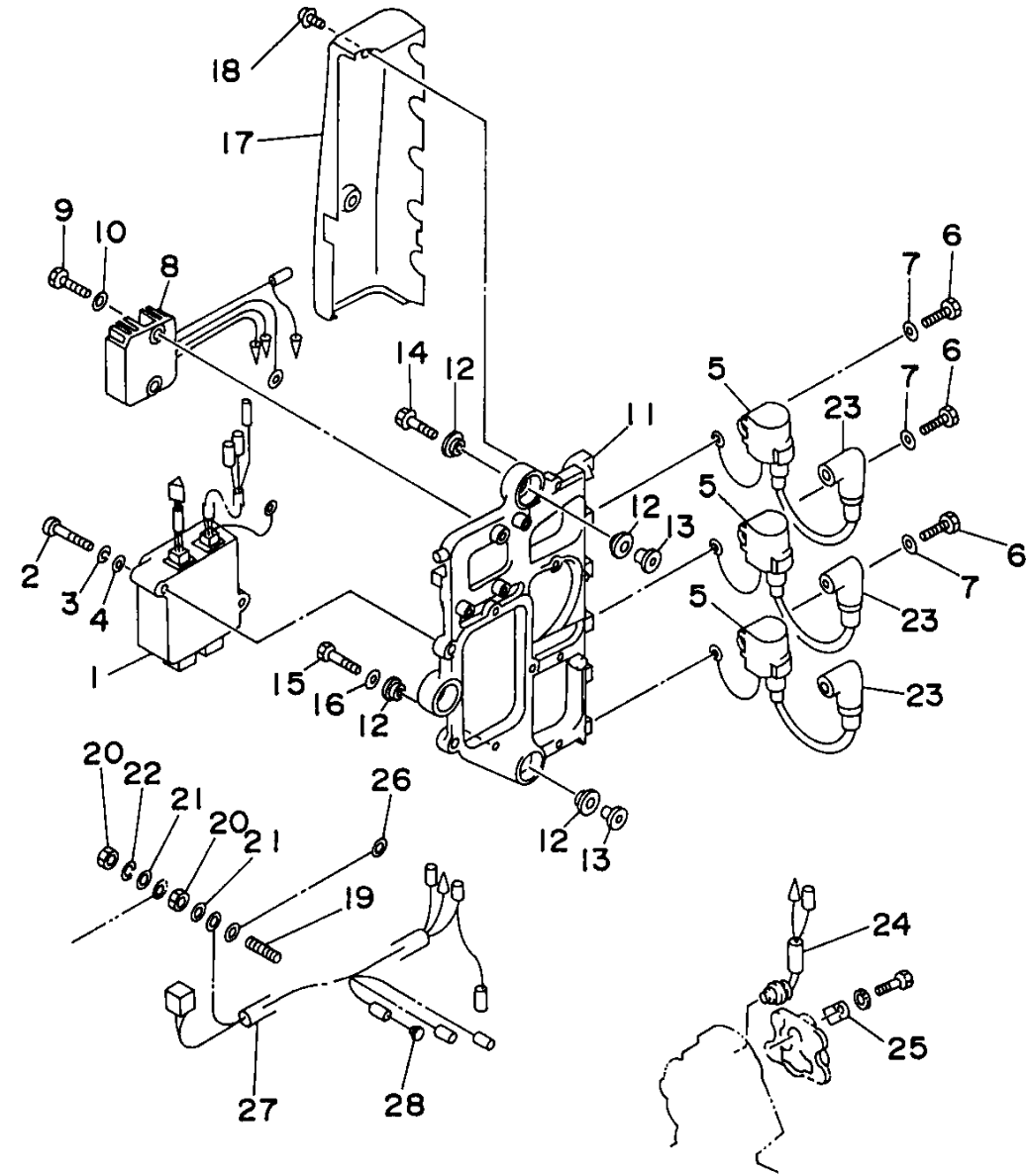


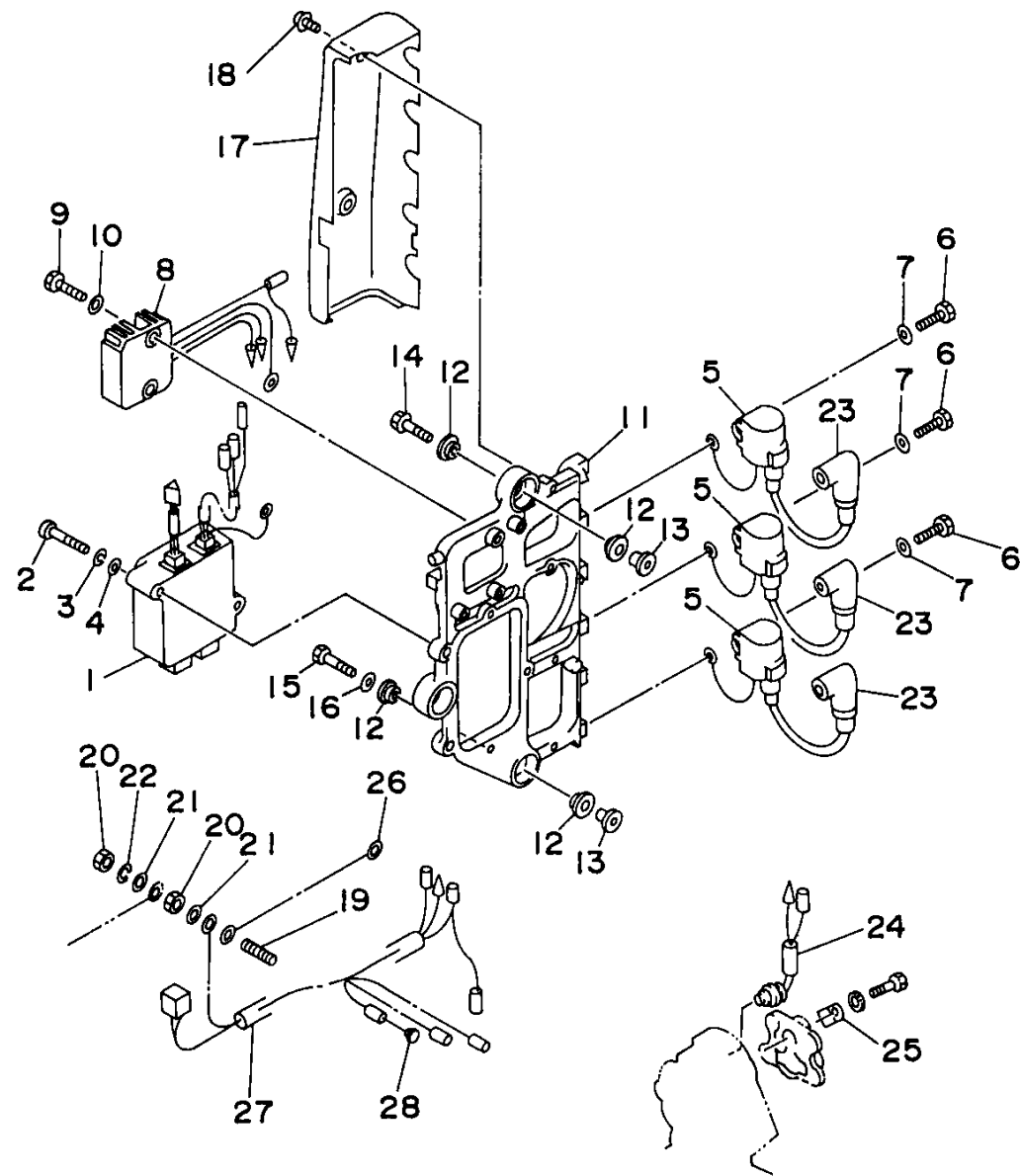
ELECTRICAL 1



Ref No.	Part Number	Description	Qty	Remarks
1	688-85540-00-00	C.D.I. UNIT ASSEMBLY	1	
2	97880-06040-00	SCREW, PAN HEAD	2	
3	92990-06100-00	WASHER, SPRING	2	
4	92990-06600-00	WASHER, PLATE	2	
5	697-85570-00-00	IGNITION COIL ASSY	3	
6	97095-06020-00	BOLT	3	
7	92990-06600-00	WASHER, PLATE	3	
8	6H0-81960-00-00	RECTIFIER & REGULATOR ASSEMBLY	1	
9	97095-06020-00	BOLT	2	
10	92990-06600-00	WASHER, PLATE	2	
11	6H1-85542-00-94	BRACKET	1	
12	90480-09M25-00	GROMMET	6	
13	90387-06M03-00	COLLAR	3	
14	90119-06M75-00	BOLT, WITH WASHER	2	
15	90119-06M39-00	BOLT	1	
16	90201-06M31-00	WASHER, PLATE	1	
17	6H1-81916-00-00	COVER, TERMINAL	1	
18	90159-06M11-00	SCREW, WITH WASHER	2	
19	90116-06M22-00	BOLT, STUD	1	
20	95380-06700-00	NUT	2	

CONTINUED ON NEXT FRAME >





ELECTRICAL 1

Ref No.	Part Number	Description	Qty	Remarks
21	92990-06200-00	WASHER	2	
22	92990-06100-00	WASHER, SPRING	1	
23	663-82370-01-00	PLUG CAP ASSY	3	
24	688-82560-10-00	THERMO SWITCH ASSY	1	
25	688-82588-01-00	PLATE	1	
26	61A-82519-00-00	WIRE, EARTH LEAD	1	
27	692-82590-00-00	WIRE HARNESS ASSEMBLY	1	
28	703-82119-00-00	COVER, LEAD WIRE	1	

