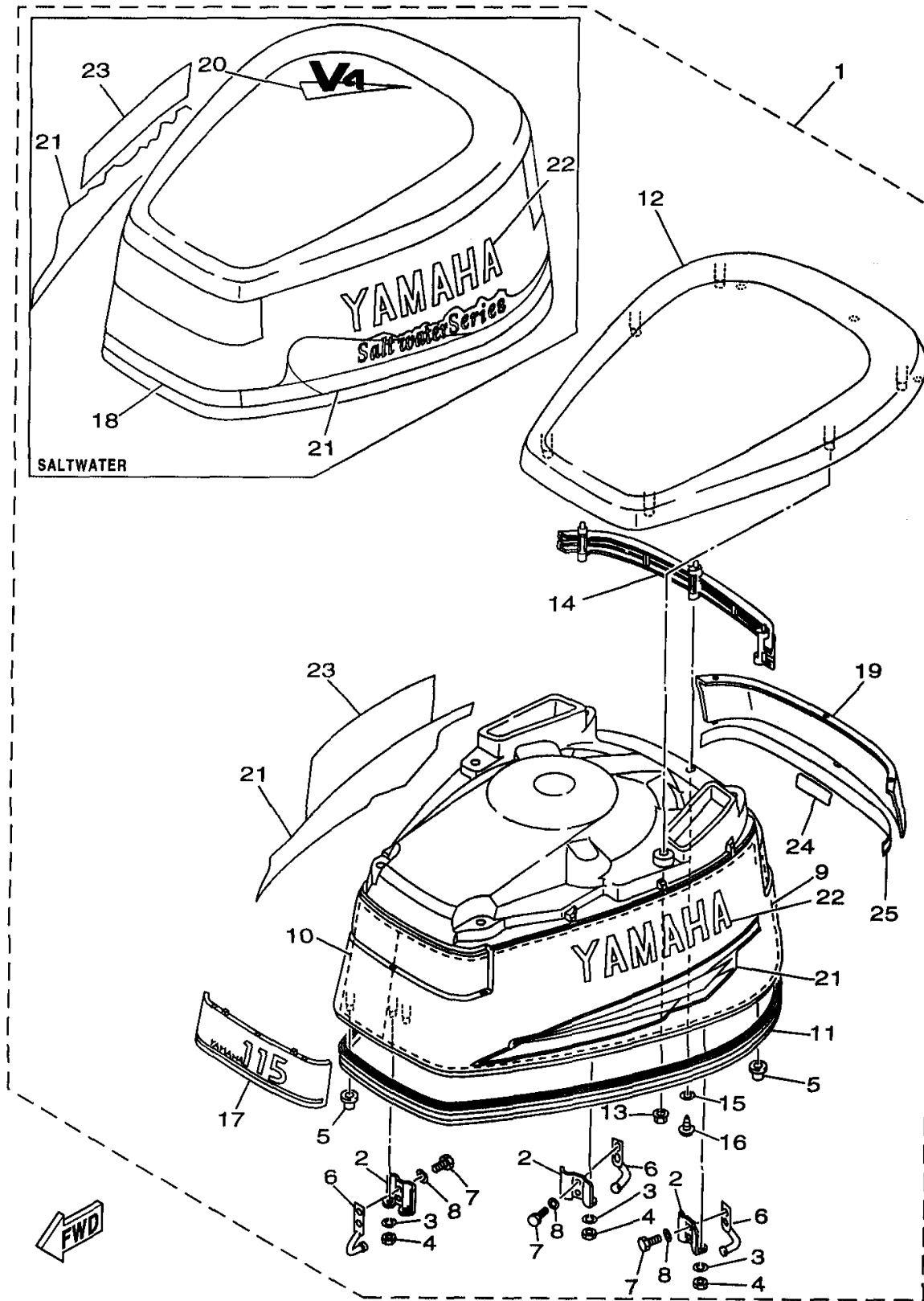


TOP COWLING

Ref No.	Part Number	Description	Qty	Remarks
1	6N6-42610-S0-4D	TOP COWLING ASSEMBLY	1	UR 115 SALT WATER
1	6N7-42610-S0-4D	TOP COWLING ASSEMBLY	1	UR 130/L130 SALT WATER
1	6N6-42610-30-4D	TOP COWLING ASSY	1	UR 115
1	6N6-42610-R1-4D	TOP COWLING ASSY	1	UR JET DRIVE
1	6N7-42610-30-4D	TOP COWLING ASSY	1	UR 130
2	6R3-42647-00-00	. .HOLDER, CLAMP BAND	3	
3	92990-06100-00	. .WASHER, SPRING	6	
4	95380-06600-00	. .NUT, HEXAGON	6	
5	6R3-42662-00-00	. .DAMPER	3	
6	6R3-42814-00-00	. .HOOK, CLAMP	3	
7	97095-06012-00	. .BOLT	6	
8	92995-06600-00	. .WASHER	6	
9	6N7-42619-00-00	. .DAMPER, FORM	1	
10	6N7-42627-00-00	. .DAMPER, FORM	1	
11	6R3-42615-01-00	. .SEAL	1	
12	6N7-42613-00-4D	. .MOLDING, AIR DUCT	1	
13	90179-06M24-00	. .NUT	6	
14	6N7-42636-00-00	. .LOUVER 2	1	
15	92990-04600-00	. .WASHER, PLATE	3	
16	97780-40520-00	. .SCREW, TAPPING	3	

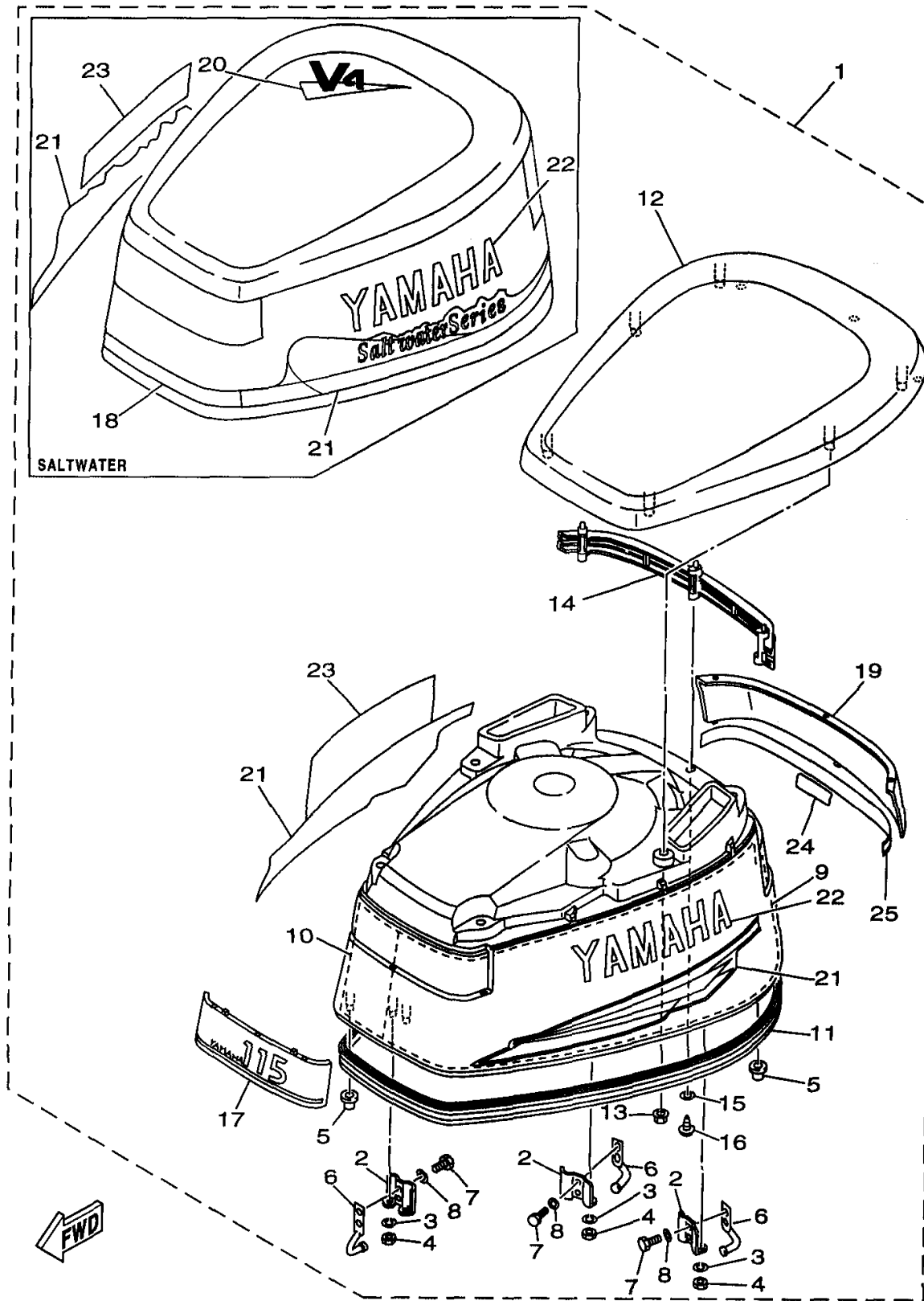
CONTINUED ON NEXT FRAME >



TOP COWLING

Ref No.	Part Number	Description	Qty	Remarks
17	6N7-42686-30-00	. EMBLEM, FRONT	1	UR 130
17	6N6-42686-50-00	. EMBLEM, FRONT	1	UR JET DRIVE
17	6N6-42686-30-00	. EMBLEM, FRONT	1	UR 115
17	6N7-42686-00-00	. EMBLEM, FRONT	1	UR 130/L130 SALTWATER
17	6N6-42686-00-00	. EMBLEM, FRONT	1	UR 115 SALTWATER
18	6N6-42677-40-00	. GRAPHIC, FRONT	1	FOR SALTWATER
19	6N7-42687-30-00	. EMBLEM, REAR	1	UR 130
19	6N7-42687-00-00	. EMBLEM, REAR	1	UR 130/L130 SALTWATER
19	6N6-42687-00-00	. EMBLEM, REAR	1	UR 115 SALTWATER
19	6N6-42687-30-00	. EMBLEM, REAR	1	UR 115
19	6N6-42687-50-00	. EMBLEM, REAR	1	UR JET DRIVE
20	6N7-42683-40-00	. MARK, COWLING	1	FOR SALTWATER
21	6N7-W0070-S0-00	. GRAPHIC SET	1	UR SALTWATER
21	6N6-W0070-30-00	. GRAPHIC SET	1	UR
22	6N6-42681-30-00	. MARK, COWLING	1	UR
22	6N6-42681-41-00	. MARK, COWLING	1	UR SALTWATER
23	6N6-42682-30-00	. MARK, COWLING	1	UR
23	6N6-42682-41-00	. MARK, COWLING	1	UR SALTWATER
24	6N7-42678-30-00	. GRAPHIC, REAR	1	EXCEPT SALTWATER
25	6N7-4267A-40-00	. GRAPHIC, REAR 2	1	UR SALTWATER

CONTINUED ON NEXT FRAME >



TOP COWLING

Ref No.	Part Number	Description	Qty	Remarks
25	6N7-4267A-30-00	. GRAPHIC, REAR 2	1	UR

