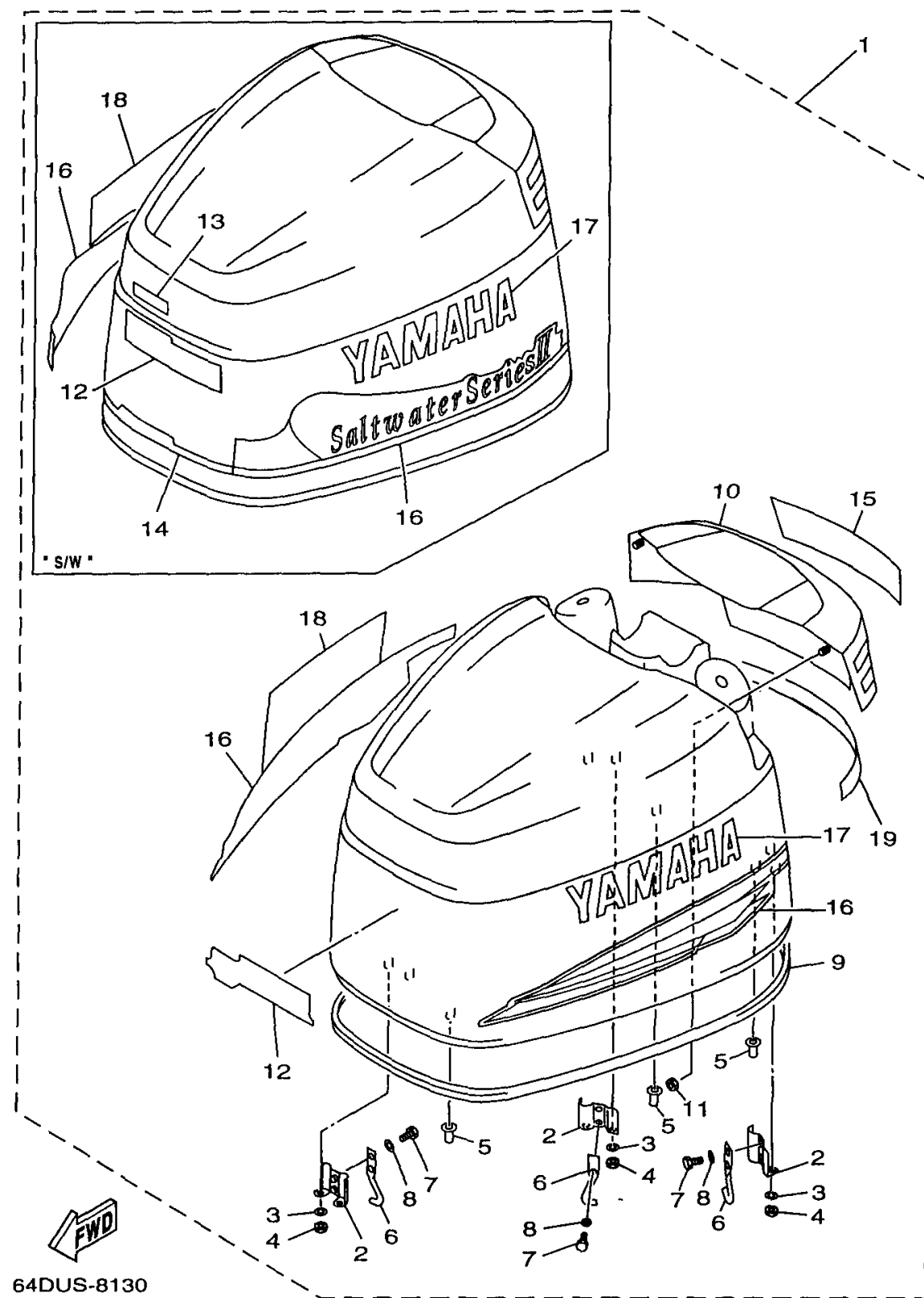


## TOP COWLING

Ref No.	Part Number	Description	Qty	Remarks
1	64D-42610-S0-4D	TOP COWLING ASSEMBLY	1	UR 175
1	64C-42610-S0-4D	TOP COWLING ASSEMBLY	1	150, L150
1	64E-42610-S0-4D	TOP COWLING ASSEMBLY	1	200, L200
1	64E-42610-R1-4D	TOP COWLING ASSEMBLY	1	UR JET DRIVE
2	6R3-42647-00-00	. .HOLDER, CLAMP BAND	3	
3	92995-06100-00	. .WASHER, SPRING	6	
4	95380-06600-00	. .NUT, HEXAGON	6	
5	6R3-42662-00-00	. .DAMPER	3	
6	64D-42814-00-00	. .HOOK, CLAMP	3	
7	97095-06012-00	. .BOLT	6	
8	92990-06600-00	. .WASHER, PLATE	6	
9	64D-42615-00-00	. .SEAL	1	
10	64D-42613-00-4D	. .MOLDING, AIR DUCT	1	
11	90179-06M24-00	. .NUT	4	
12	64E-42677-R0-00	. .GRAPHIC, FRONT	1	UR JET DRIVE
12	64E-42677-40-00	. .GRAPHIC, FRONT	1	UR 200/L200
12	64C-42677-40-00	. .GRAPHIC, FRONT	1	UR 150/L150
12	64D-42677-40-00	. .GRAPHIC, FRONT	1	UR 175
13	64D-42677-A0-00	. .GRAPHIC, FRONT	1	
14	64D-42677-S0-00	. .GRAPHIC, FRONT	1	

CONTINUED ON NEXT FRAME >



## TOP COWLING

Ref No.	Part Number	Description	Qty	Remarks
15	64E-42687-R0-00	. EMBLEM, REAR	1	UR JET DRIVE
15	64E-42687-00-00	. EMBLEM, REAR	1	UR 200/L200
15	64C-42687-00-00	. EMBLEM, REAR	1	UR 150/L150
15	64D-42687-00-00	. EMBLEM, REAR	1	UR 175
16	64D-W0070-30-00	. GRAPHIC SET	1	JET DRIVE
16	64D-W0070-S0-00	. GRAPHIC SET	1	
17	64D-42681-40-00	. MARK, COWLING	1	
18	64D-42682-40-00	. MARK, COWLING	1	
19	64D-4267A-S0-00	. GRAPHIC, REAR 2	1	
19	64D-4267A-30-00	. GRAPHIC, REAR 2	1	JET DRIVE