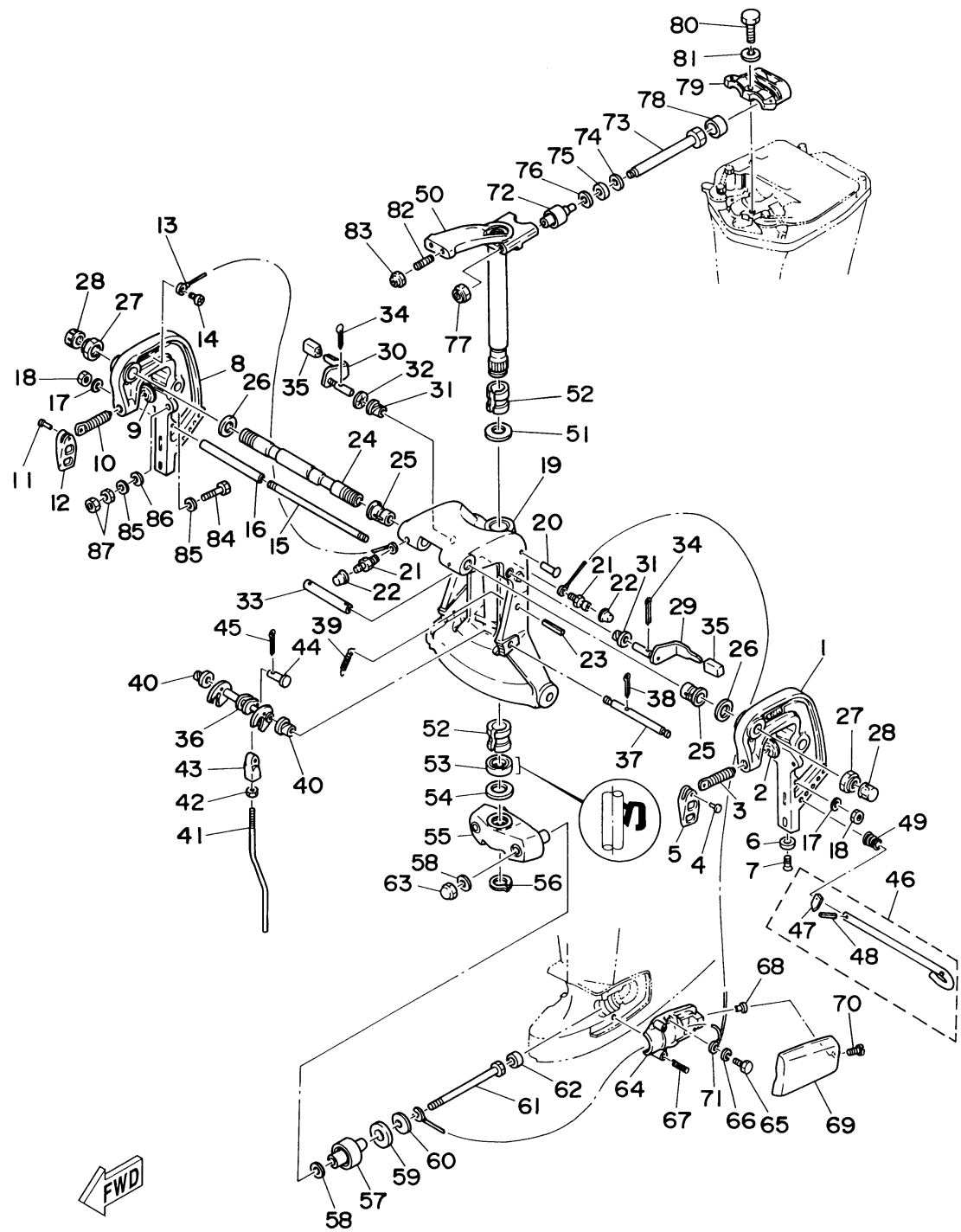


BRACKET 1

Ref No.	Part Number	Description	Qty	Remarks
1	696-43111-01-4D	BRACKET, CLAMP	1	
2	648-43114-01-00	PAD, TRANSOM CLAMP	1	
3	663-43116-01-00	SCREW, TRANSOM CLAMP	1	
4	90243-04007-00	PIN	1	
5	663-43118-01-4D	HANDLE, TRANSOM CLAMP	1	
6	663-45251-00-00	ANODE	1	
7	90152-06M01-00	SCREW, COUNTERSUNK	1	
8	696-43112-00-4D	BRACKET, CLAMP	1	
9	648-43114-01-00	PAD, TRANSOM CLAMP	1	
10	663-43116-01-00	SCREW, TRANSOM CLAMP	1	
11	90243-04007-00	PIN	1	
12	663-43118-01-4D	HANDLE, TRANSOM CLAMP	1	
13	6E5-82148-00-00	WIRE, LEAD 4	1	
14	97880-06012-00	SCREW, PAN HEAD	1	
15	663-43123-00-00	BOLT, CLAMP BRACKET	1	
16	90387-10M03-00	COLLAR	1	
17	92990-10600-00	WASHER, PLATE	2	
18	95380-10600-00	NUT	2	
19	696-43311-10-4D	BRACKET, SWIVEL	1	
20	90269-03010-00	RIVET	1	

CONTINUED ON NEXT FRAME >

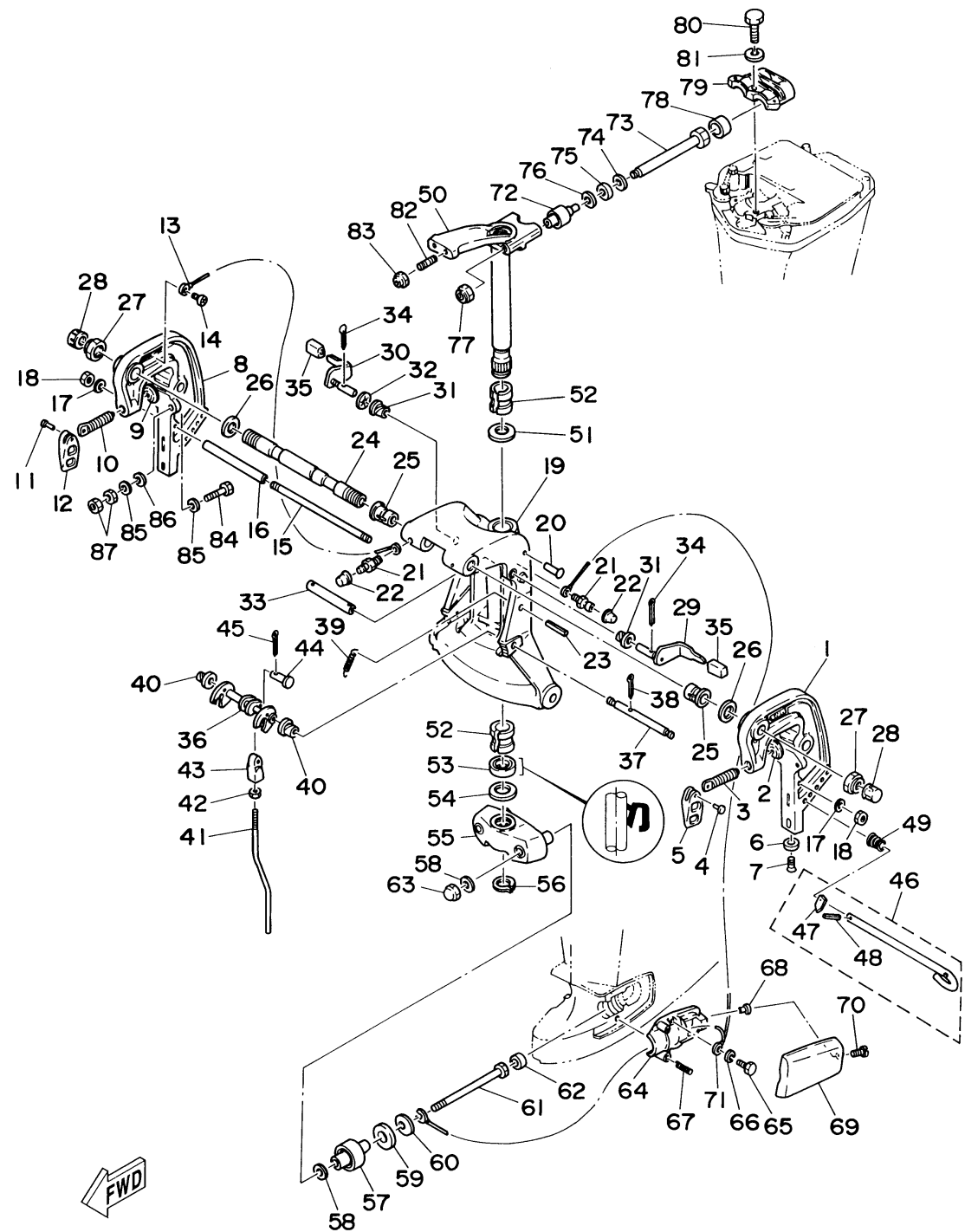


6960100-4120

BRACKET 1

Ref No.	Part Number	Description	Qty	Remarks
21	93700-06M03-00	NIPPLE, GREASE	3	
22	663-45119-00-00	CAP, GREASE NIPPLE	3	AP
23	91690-40040-00	PIN, SPRING	1	
24	696-43131-01-00	BOLT, CLAMP BRACKET	1	
25	90386-22M15-00	BUSH	2	
26	90201-22M03-00	WASHER, PLATE	2	
27	90185-22043-00	NUT, SELF-LOCKING	2	
28	6G5-43145-00-00	ROD, TILT LOCK	2	
29	697-43181-02-00	LEVER, TILT STOP	1	
30	697-43185-02-00	LEVER, TILT STOP	1	
31	90386-10045-00	BUSH	2	
32	90206-10M08-00	WASHER, WAVE	1	
33	90387-10269-00	COLLAR	1	
34	91490-30025-00	PIN, COTTER	2	
35	663-43318-00-00	COVER	2	
36	696-43610-00-00	TILT LOCK ASSY	1	
37	696-43611-00-00	SHAFT, TILT LOCK	1	
38	91490-25025-00	PIN, COTTER	1	
39	90506-12078-00	SPRING, TENSION	1	
40	90386-10045-00	BUSH	2	

CONTINUED ON NEXT FRAME >

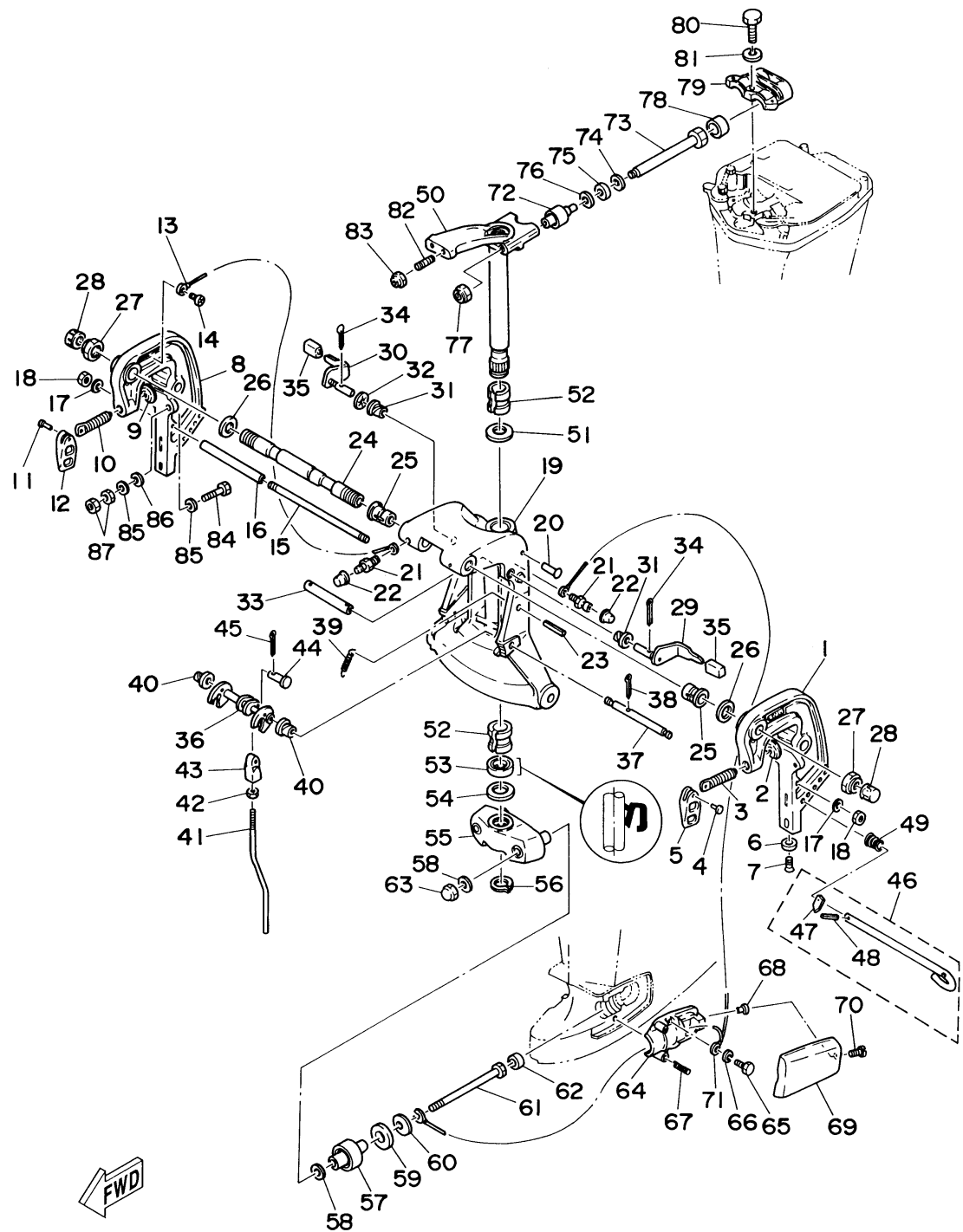


6960100-4120

BRACKET 1

Ref No.	Part Number	Description	Qty	Remarks
41	670-43616-11-00	ROD, TILT LOCK	1	
42	95380-08600-00	NUT	1	
43	663-43653-00-00	NUT, CONNECTION	1	
44	90240-08M21-00	PIN, CLEVIS	1	
45	91490-20012-00	PIN, COTTER	1	
46	676-43160-02-00	TILT ROD ASSY	1	
47	676-43165-00-00	..PLATE, TILT LOCK	1	
48	91690-30012-00	..PIN, SPRING	1	
49	90502-10M04-00	SPRING, CONICAL	1	
50	663-42510-13-4D	STEERING BRACKET ASSY	1	
51	90201-30M00-00	WASHER, PLATE	1	
52	90386-30048-00	BUSH	2	
53	93109-30M03-00	OIL SEAL	1	
54	90201-31418-00	WASHER, PLATE	1	
55	663-44551-02-4D	HOUSING, LOWER MOUNT RUBBER	1	
56	93410-28M06-00	CIRCLIP	1	
57	670-44555-00-94	MOUNT DAMPER, LOWER SIDE	2	
58	90201-12M16-00	WASHER, PLATE	4	
59	90202-21100-00	WASHER, PLATE	2	
60	90201-13421-00	WASHER, PLATE	2	

CONTINUED ON NEXT FRAME >

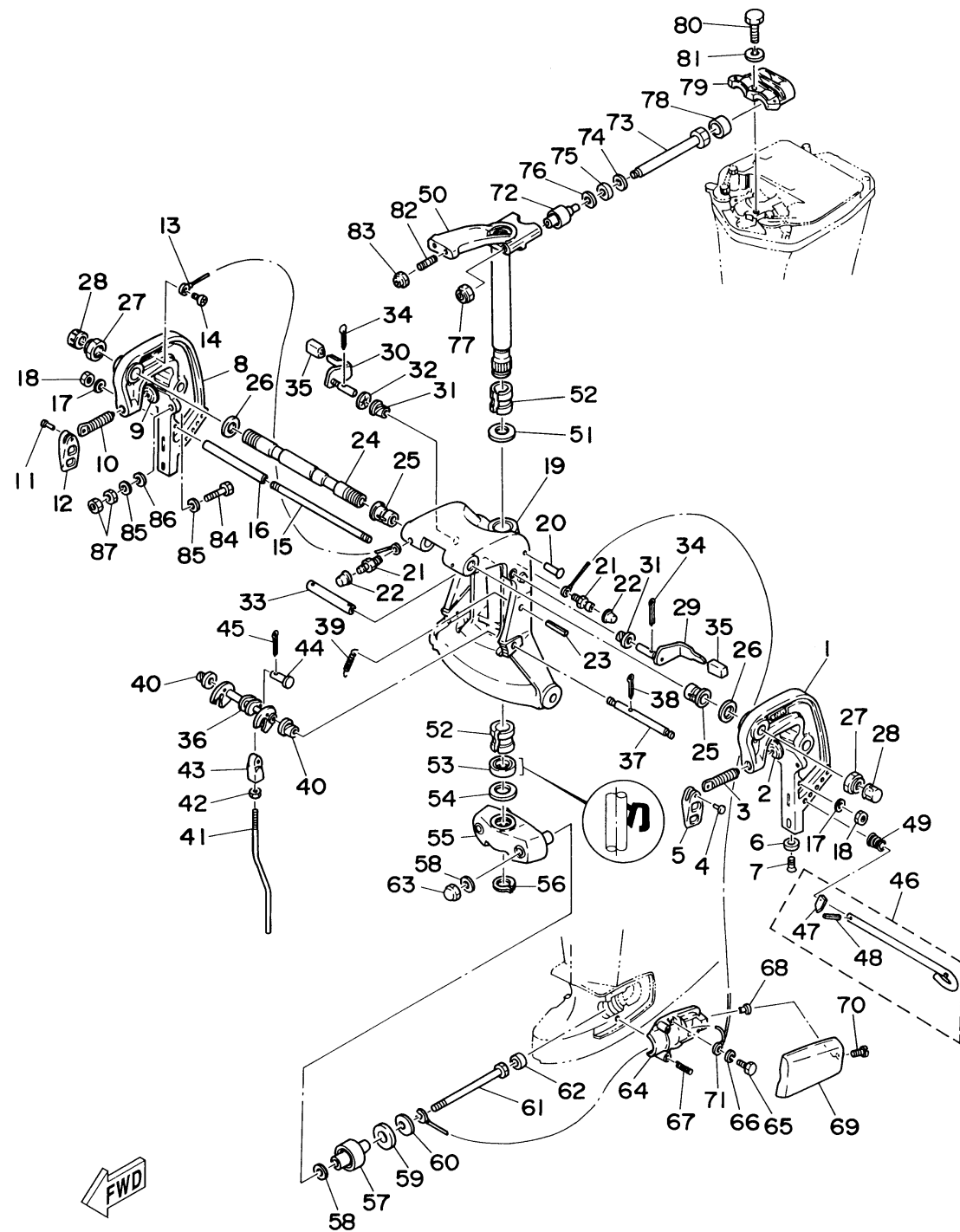


6960100-4120

BRACKET 1

Ref No.	Part Number	Description	Qty	Remarks
61	90109-12261-00	BOLT	2	
62	670-44575-00-00	DAMPER, LOWER MOUNT RUBBER	2	
63	95380-12800-00	NUT, CROWN	2	
64	663-44552-01-94	HOUSING, LOWER MOUNT RUBBER	2	
65	97075-08025-00	BOLT	4	
66	92995-08100-00	WASHER	4	
67	90501-14M08-00	SPRING, COMPRESSION	4	
68	90179-06066-00	NUT	2	
69	663-44553-01-4D	COVER, LOWER MOUNT	2	
70	97885-06016-00	SCREW, PAN HEAD	2	
71	696-82127-10-00	WIRE, LEAD 2	1	
72	670-44514-00-94	MOUNT DAMPER, UPPER SIDE	2	
73	90109-08262-00	BOLT	2	
74	90201-15423-00	WASHER, PLATE	2	
75	90202-15095-00	WASHER, PLATE	2	
76	90201-09425-00	WASHER, PLATE	2	
77	90185-08045-00	NUT, SELF-LOCKING	2	
78	663-44533-00-00	DAMPER, UPPER MOUNT RUBBER	2	
79	663-44511-00-94	COVER, UPPER MOUNT	1	
80	97075-08035-00	BOLT	3	

CONTINUED ON NEXT FRAME >



BRACKET 1

Ref No.	Part Number	Description	Qty	Remarks
81	92995-08100-00	WASHER	3	
82	90116-10175-00	BOLT, STUD	2	
83	90185-10051-00	NUT, SELF-LOCKING	2	
84	90101-10M58-00	BOLT	4	
85	92995-10600-00	WASHER	8	
86	90201-12426-00	WASHER, PLATE	4	
87	95380-10600-00	NUT	8	

