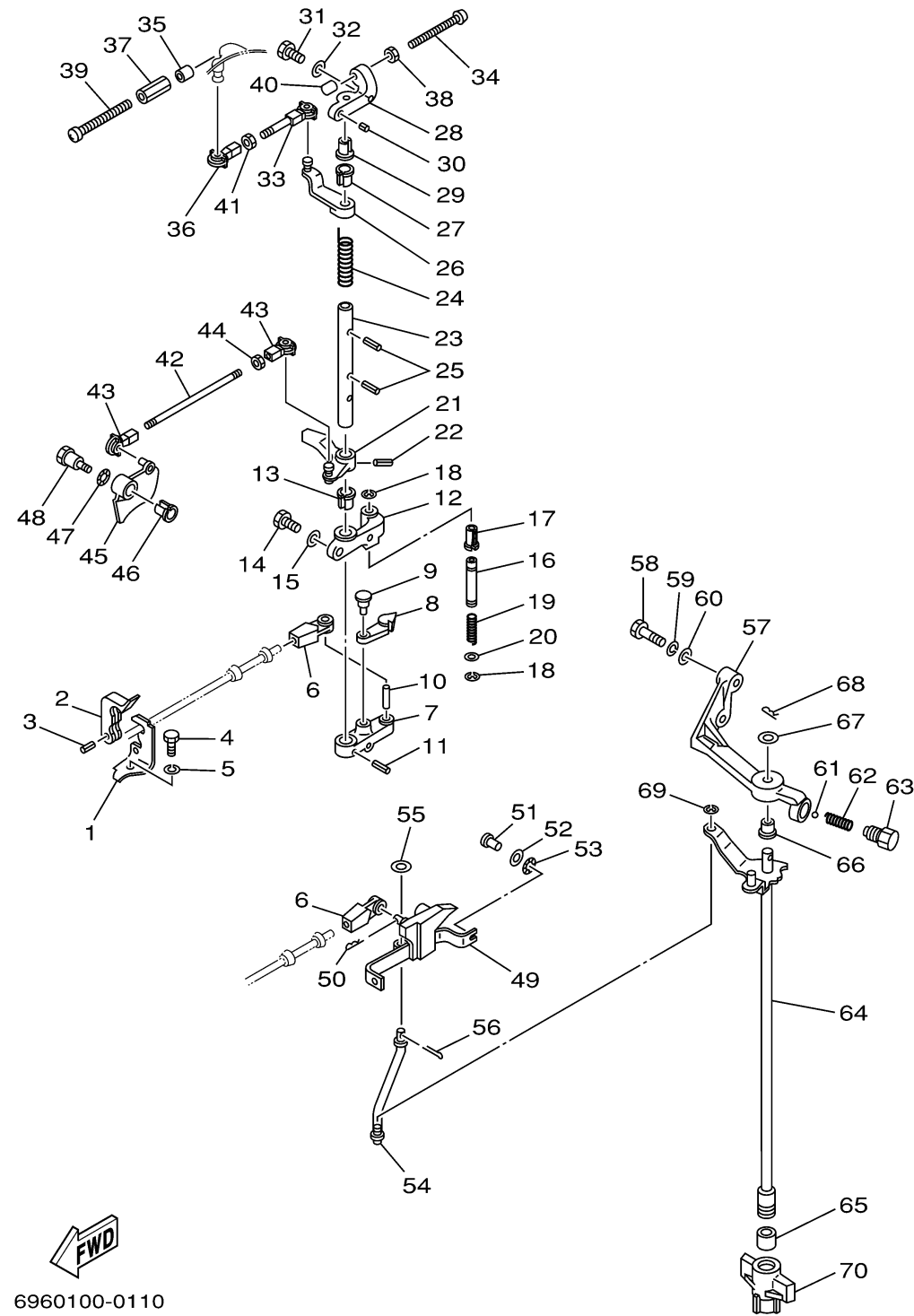


# CONTROL

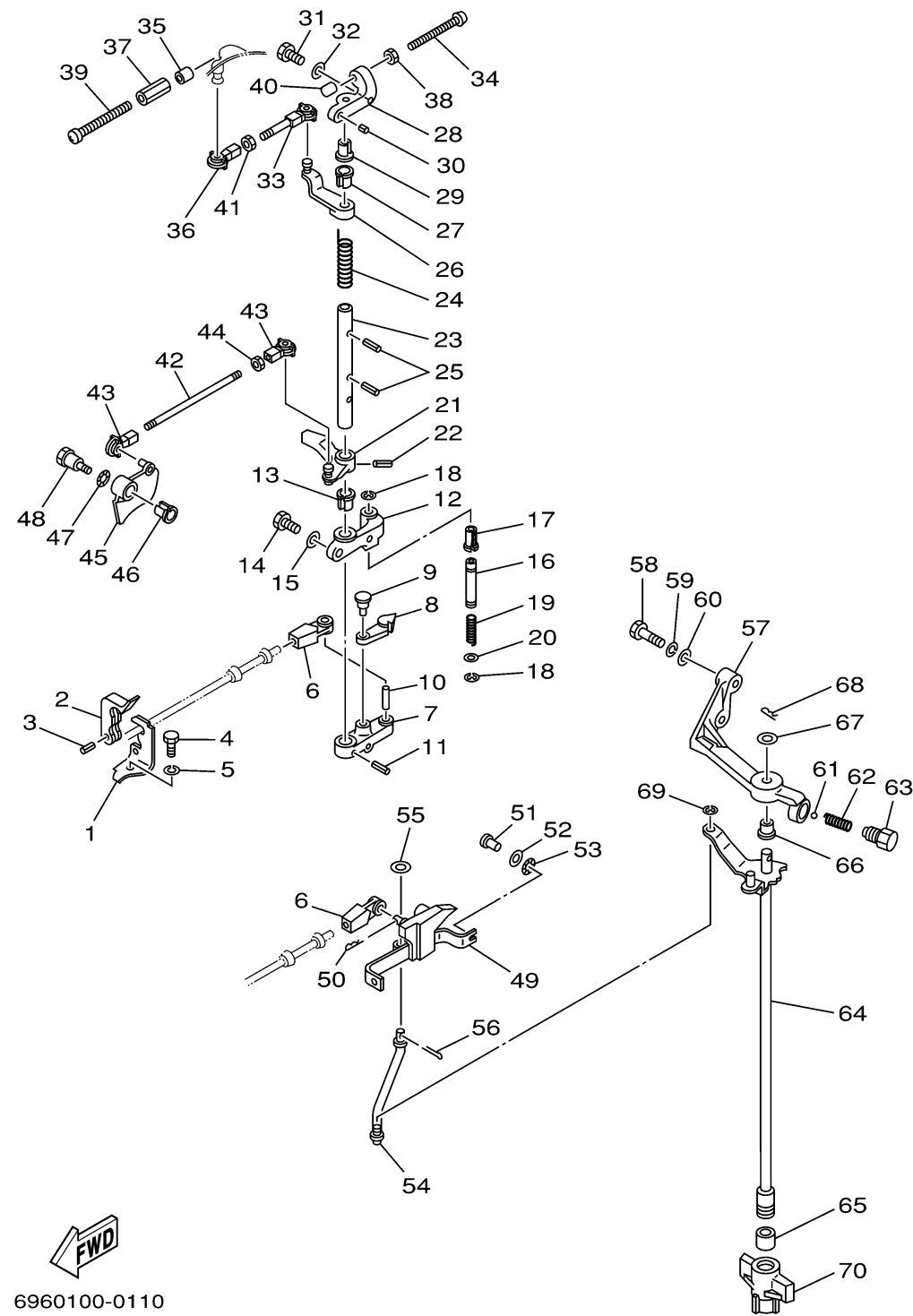


6960100-0110

Ref No.	Part Number	Description	Qty	Remarks
1	663-48531-00-00	BRACKET, REMOTE CONTROL	1	
2	663-48538-00-00	CLAMP, CABLE 1	1	
3	91690-30012-00	.PIN, SPRING	1	
4	97095-08016-00	BOLT	1	
5	92995-08100-00	WASHER	1	
6	663-48344-00-00	.CABLE END, REMOTE CONTROL	2	
7	663-41632-00-94	LEVER, MAGNETO CONTROL	1	
8	663-41282-00-00	STOPPER, FREE ACCEL. LINK	1	
9	90249-05125-00	PIN	1	
10	93607-23110-00	PIN, DOWEL	1	
11	91690-30018-00	PIN, SPRING	1	
12	663-41662-00-94	BRACKET	1	
13	90386-10009-00	BUSH	1	
14	97095-06018-00	BOLT	2	
15	92995-06600-00	WASHER	2	
16	663-44114-00-00	STOPPER	1	
17	90386-06M39-00	BUSH	1	
18	93430-05027-00	CIRCLIP	2	
19	90501-08232-00	SPRING, COMPRESSION	1	
20	92903-06600-00	.WASHER, PLATE	1	

CONTINUED ON NEXT FRAME >

# CONTROL

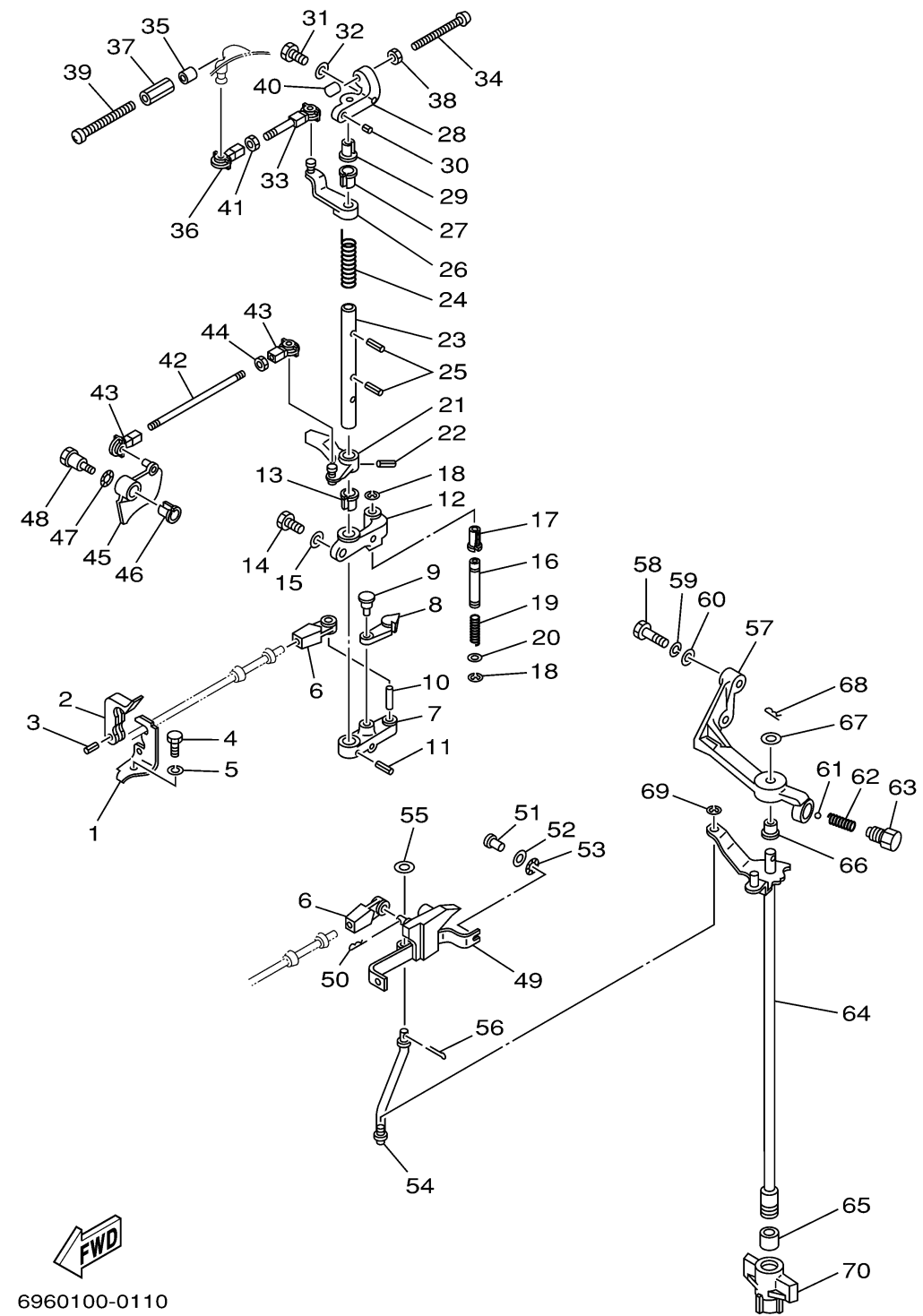


6960100-0110

Ref No.	Part Number	Description	Qty	Remarks
21	663-41633-00-94	LEVER, MAGNETO CONTROL	1	
22	91690-30018-00	PIN, SPRING	1	
23	663-41635-00-00	SHAFT, LINK CONNECTING	1	
24	90508-20169-00	SPRING, TORSION	1	
25	91690-30018-00	PIN, SPRING	2	
26	663-41631-00-94	LEVER, MAGNETO CONTROL	1	
27	90386-10009-00	BUSH	1	
28	663-41661-00-94	BRACKET	1	
29	90386-10009-00	BUSH	1	
30	91690-40010-00	PIN, SPRING	1	
31	97095-06018-00	BOLT	1	
32	92995-06600-00	WASHER	1	
33	688-41636-00-00	ROD, MAGNETO CONTROL	1	
34	90157-06M12-00	SCREW, PAN HEAD	1	
35	688-44194-00-00	CAP	1	
36	662-41237-01-00	JOINT, LINK	1	
37	90170-06017-00	NUT	1	
38	95380-06700-00	NUT	1	
39	90157-06M12-00	SCREW, PAN HEAD	1	
40	663-44194-00-00	CAP	1	

CONTINUED ON NEXT FRAME >

# CONTROL

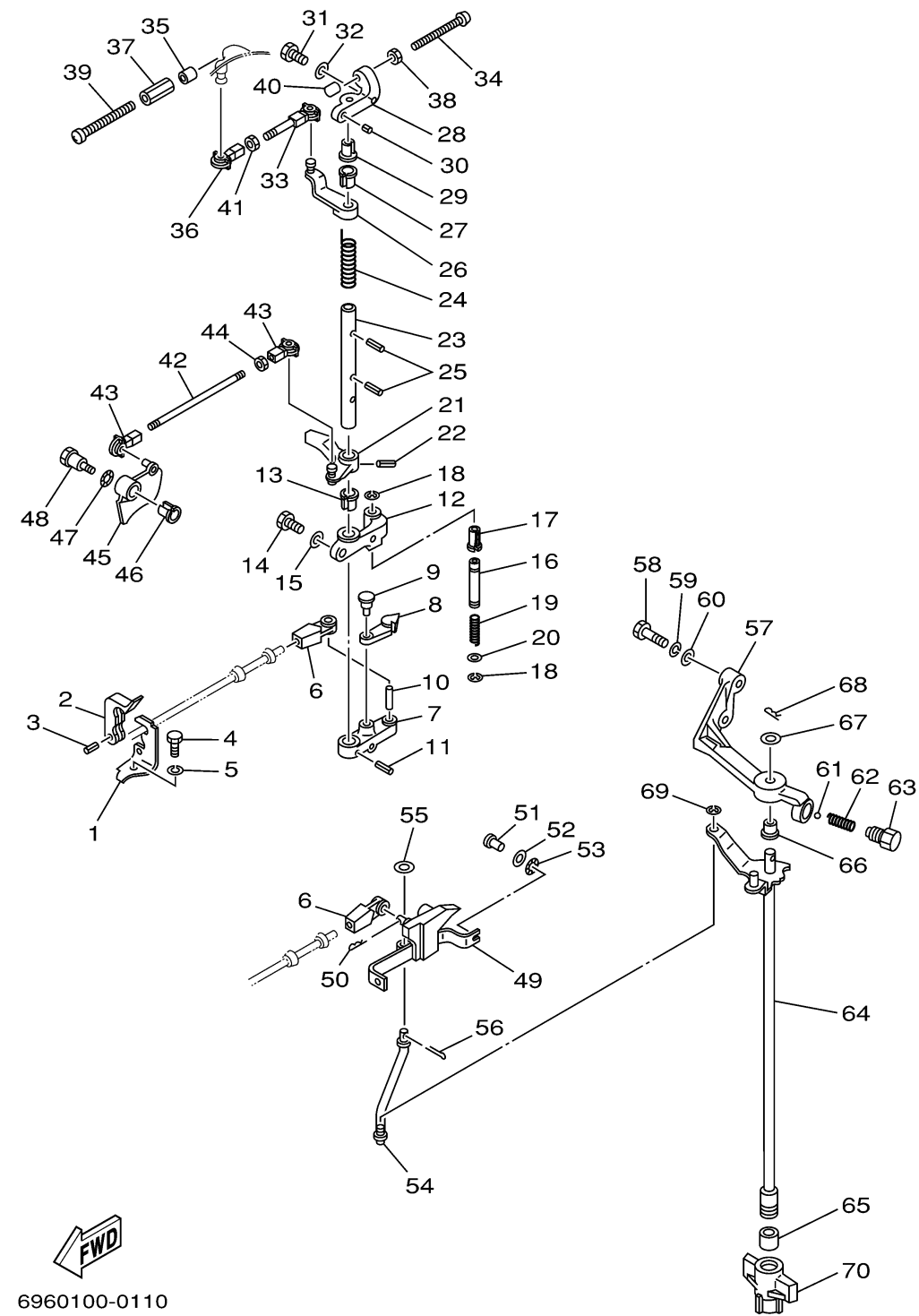


6960100-0110

Ref No.	Part Number	Description	Qty	Remarks
41	95380-05600-00	NUT	1	
42	663-41211-00-00	LINK, ACCEL.	1	
43	662-41237-01-00	JOINT, LINK	2	
44	95380-05600-00	NUT	1	
45	663-41213-01-94	CAM, ACCEL.	1	
46	90386-10009-00	BUSH	1	
47	90206-10M04-00	WASHER, WAVE	1	
48	90109-06260-00	BOLT	1	
49	663-44117-01-00	BRACKET	1	
50	90468-18008-00	.CLIP	1	
51	90241-06M00-00	PIN	1	
52	92903-06600-00	.WASHER, PLATE	1	
53	90206-06040-00	WASHER, WAVE	1	
54	663-44121-01-00	LEVER, SHIFT ROD	1	
55	92903-06600-00	.WASHER, PLATE	1	
56	91490-16012-00	.PIN, COTTER	1	
57	688-44118-00-94	BRACKET	1	
58	97013-08030-00	BOLT	2	
59	92903-08100-00	WASHER, SPRING	2	
60	92903-08600-00	WASHER, PLATE	2	

CONTINUED ON NEXT FRAME >

# CONTROL



6960100-0110

Ref No.	Part Number	Description	Qty	Remarks
61	93501-04M02-00	BALL	1	
62	90501-12082-00	SPRING, COMPRESSION	1	
63	648-42715-00-00	BUSHING	1	
64	696-44120-12-00	HANDLE GEAR SHIFT ASSY	1	
65	696-44147-00-00	BOOT, SHIFT ROD	1	
66	90386-08006-00	BUSH	1	
67	92990-08200-00	WASHER	1	
68	90468-18008-00	.CLIP	1	
69	93430-05027-00	CIRCLIP	1	
70	696-43662-00-00	GUIDE, REVERSE ROD	1	