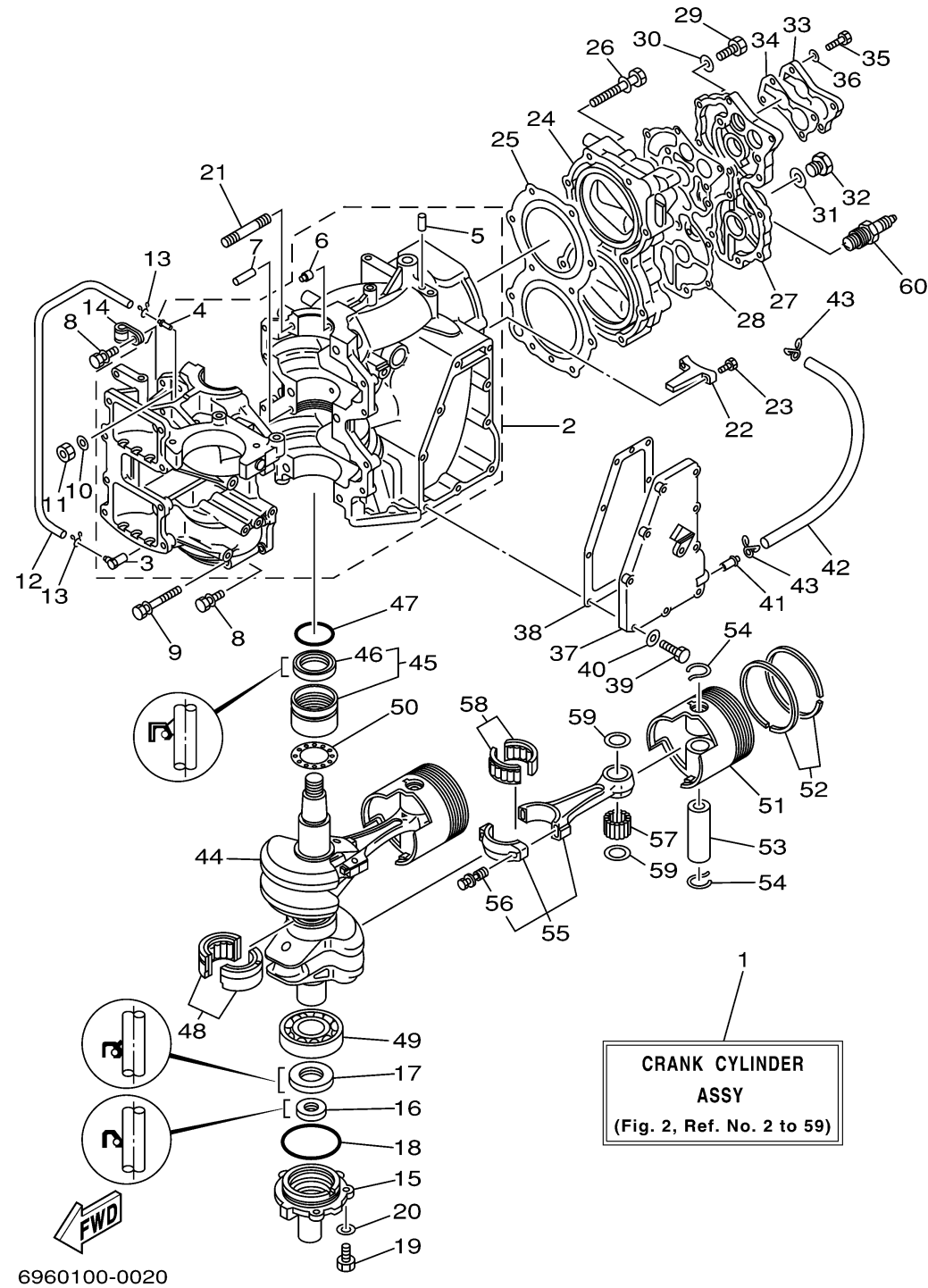


CYLINDER CRANKCASE



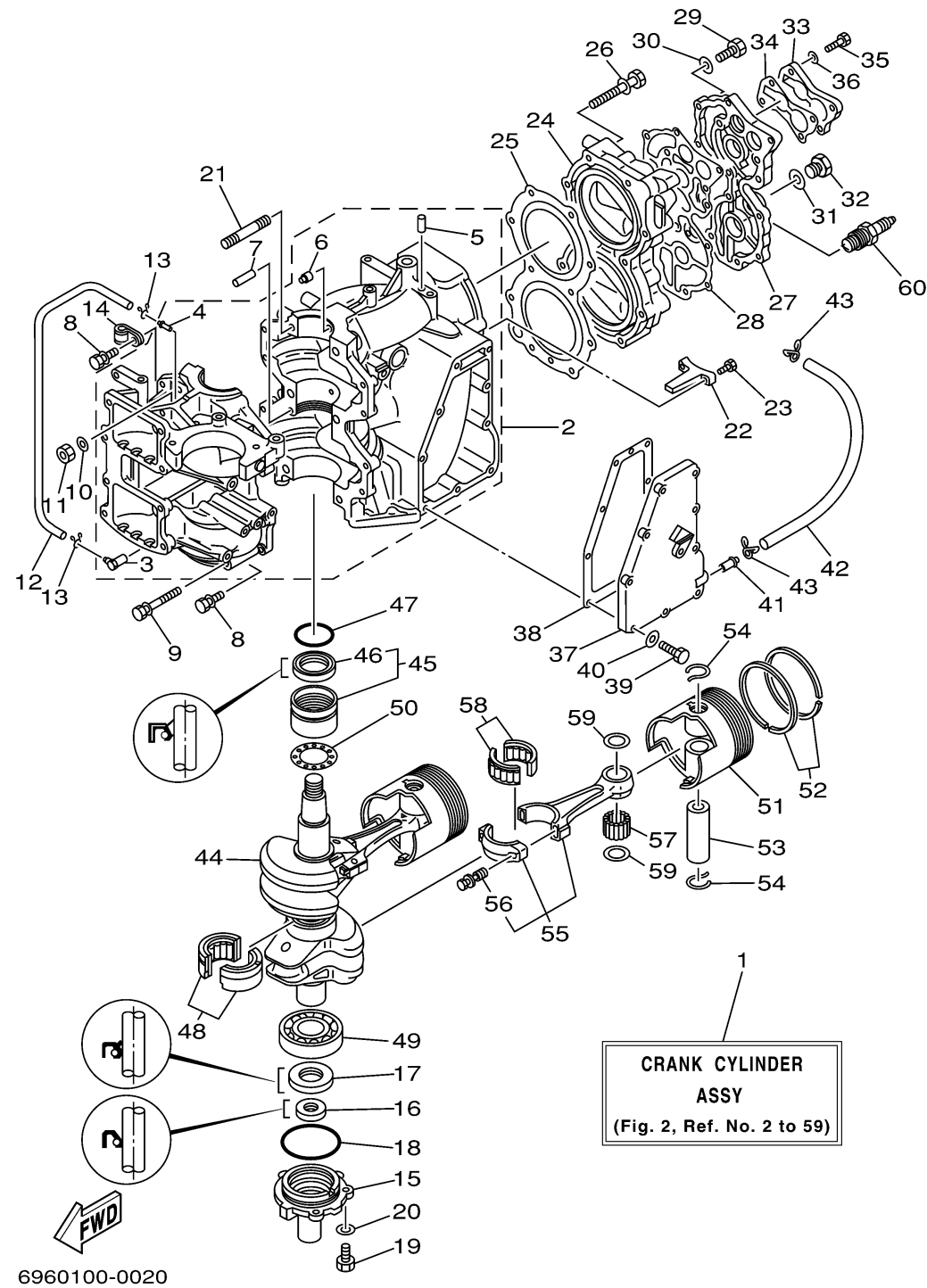
Ref No.	Part Number	Description	Qty	Remarks
1	696-W0090-65-4D	CRANK CYLINDER ASSY	1	
2	696-15100-01-94	CRANKCASE ASSY	1	
3	650-11370-00-00	. CHECK VALVE ASSY	1	
4	624-14485-00-00	. .PIPE, JOINT	1	
5	93604-08062-00	. .PIN, DOWEL	1	
6	663-11518-01-00	. .LOCK, BEARING	2	
7	93608-12063-00	PIN, DOWEL	1	
8	90119-06M12-00	BOLT, WITH WASHER	8	
9	90119-10M07-00	BOLT, WITH WASHER	4	
10	90201-10430-00	WASHER, PLATE	2	
11	95313-10600-00	NUT	2	
12	90445-07240-00	HOSE (L330)	1	
13	90467-06016-00	CLIP	2	
14	90461-04011-00	CLAMP	1	
15	663-15359-01-94	HOUSING, OIL SEAL	1	
16	93104-18049-00	OIL SEAL	1	
17	93102-28135-00	OIL SEAL	1	
18	93210-62269-00	.O-RING	1	
19	97095-06016-00	BOLT	3	
20	92995-06600-00	WASHER	3	

CONTINUED ON NEXT FRAME >

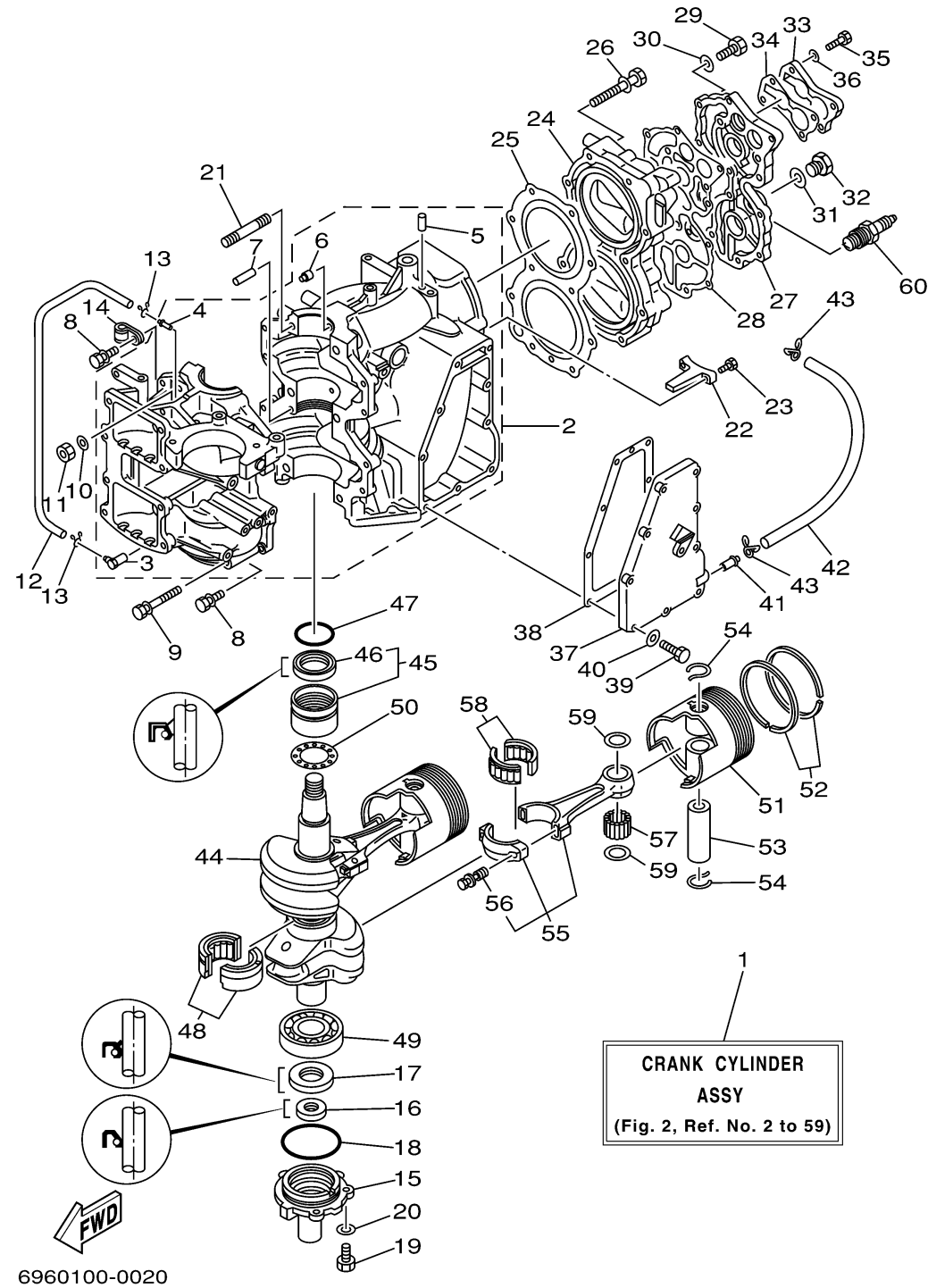
CYLINDER CRANKCASE

Ref No.	Part Number	Description	Qty	Remarks
21	90116-10177-00	BOLT, STUD	2	
22	663-11325-00-00	ANODE	1	
23	98780-04015-00	SCREW, FLAT HEAD	2	
24	663-11111-02-94	HEAD, CYLINDER 1	1	
25	697-11181-A1-00	GASKET, CYLINDER HEAD 1	1	
26	90119-08M65-00	BOLT, WITH WASHER	10	
27	663-11191-00-9M	COVER, CYLINDER HEAD 1	1	
28	663-11193-A0-00	GASKET, HEAD COVER 1	1	
29	97013-06020-00	BOLT	12	
30	92903-06600-00	.WASHER, PLATE	12	
31	90430-14115-00	.GASKET	1	
32	90340-14036-00	PLUG, STRAIGHT SCREW	1	
33	663-12413-00-9M	COVER, THERMOSTAT	1	
34	663-12414-A0-00	GASKET, COVER	1	
35	97013-06030-00	BOLT	4	
36	92903-06600-00	.WASHER, PLATE	4	
37	663-41113-00-9M	OUTER COVER, EXHAUST	1	
38	663-41114-A0-00	GASKET, EXHAUST OUTER COVER	1	
39	97013-06020-00	BOLT	9	
40	92903-06600-00	.WASHER, PLATE	9	

CONTINUED ON NEXT FRAME >



CYLINDER CRANKCASE



Ref No.	Part Number	Description	Qty	Remarks
41	650-24378-00-00	.PIPE, JOINT 4	1	
42	663-24312-01-00	PIPE 2	1	
43	90467-08004-00	CLIP	2	AP
44	663-11411-01-00	CRANKSHAFT	1	
45	93311-632U1-00	BEARING	1	
46	93102-32M07-00	. OIL SEAL	1	
47	93210-42159-00	.O-RING	1	
48	93311-832U4-00	BEARING	1	
49	93306-206U4-00	BEARING	1	
50	663-11561-00-00	SHIM, CRANK 1	1	
51	688-11635-03-00	PISTON (0.25MM O/S)	2	AP
51	688-11636-03-00	PISTON (0.50MM O/S)	2	AP
51	688-11631-03-94	PISTON (STD)	2	
52	688-11605-A0-00	PISTON RING SET (0.50MM O/S)	2	AP
52	688-11604-A0-00	PISTON RING SET (0.25MM O/S)	2	AP
52	688-11603-A0-00	PISTON RING SET (STD)	2	
53	663-11633-00-00	PIN, PISTON	2	
54	688-11634-00-00	CLIP, PISTON PIN	4	
55	688-11650-03-00	CONNECTING ROD ASSY	2	
56	90109-08M61-00	. BOLT	2	

CONTINUED ON NEXT FRAME >

CYLINDER CRANKCASE

Ref No.	Part Number	Description	Qty	Remarks
57	93603-21111-00	PIN, DOWEL	56	
58	93310-730V8-00	BEARING	2	
59	90201-20417-00	WASHER, PLATE	4	
60	NGK-B7HS0-00-00	PLUG, SPARK (NGK B7HS)	2	

