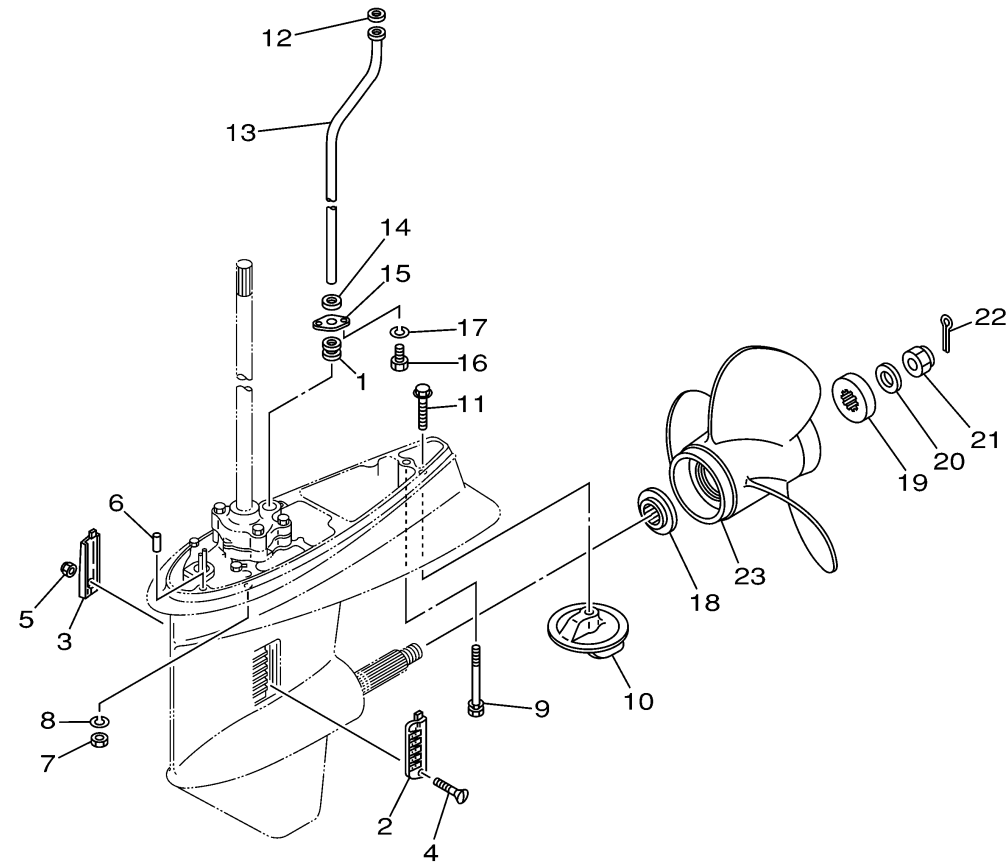


LOWER CASING DRIVE 2



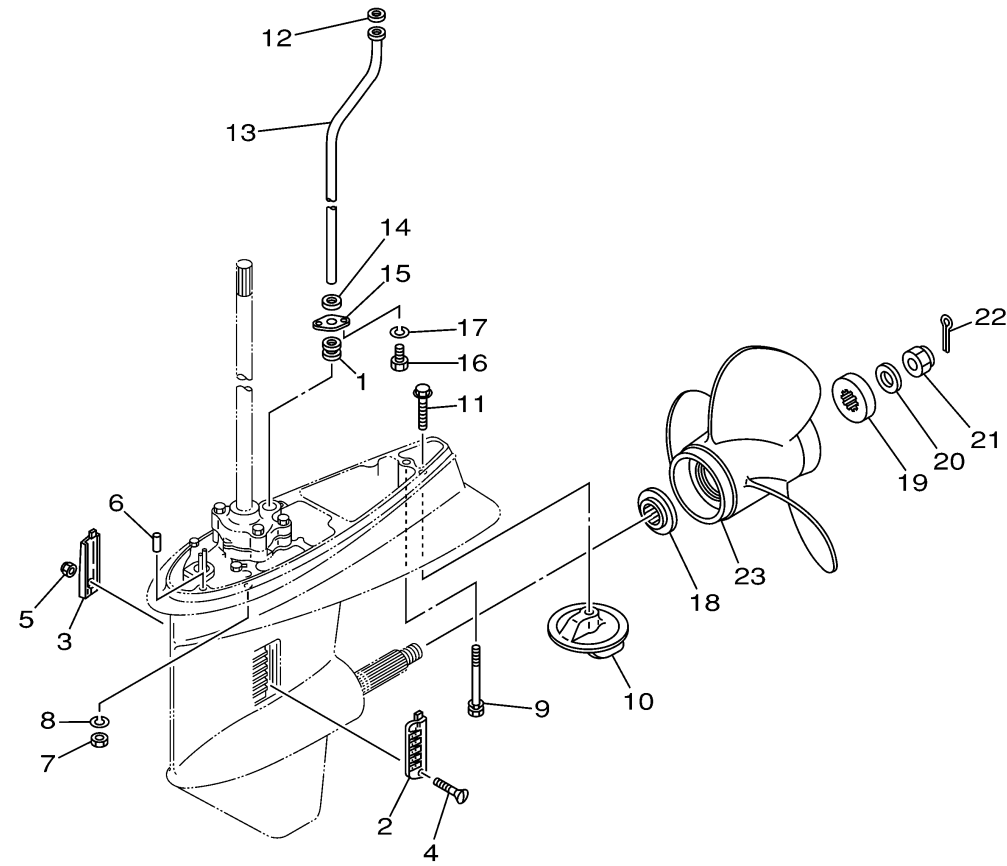
Ref No.	Part Number	Description	Qty	Remarks
1	663-44367-00-00	DAMPER, WATER SEAL	1	
2	688-45214-02-00	COVER, WATER INLET 1	1	
3	688-45215-02-00	COVER, WATER INLET 2	1	
4	90152-05M05-00	SCREW, COUNTERSUNK	1	
5	90185-05002-00	NUT, NYLON	1	
6	93606-12019-00	PIN, DOWEL	2	
7	95380-10600-00	NUT	4	
8	92990-10100-00	WASHER, SPRING (92901-10100)	4	
9	90119-08M85-00	BOLT, WITH WASHER	1	
10	679-45371-00-00	TAB-TRIM	1	
11	90105-10M67-00	BOLT, FLANGE	1	
12	90202-12060-00	WASHER, PLATE	1	
13	670-44361-10-00	TUBE, WATER	1	
14	90430-12072-00	GASKET	1	
15	663-44373-00-00	SET PLATE, WATER TUBE	1	
16	97095-06012-00	BOLT	2	
17	92995-06100-00	WASHER	2	
18	663-45987-02-00	SPACER	1	
19	670-45997-02-00	SPACER	1	
20	92990-16200-00	WASHER, PLAIN	1	

CONTINUED ON NEXT FRAME >



6960100-0160

LOWER CASING DRIVE 2



Ref No.	Part Number	Description	Qty	Remarks
21	90171-16011-00	NUT, CASTLE	1	
22	91490-40025-00	PIN. COTTER	1	
23	663-45976-00-98	PROPELLER (3X10-1/4"X15"-G)	1	UR
23	663-45978-00-98	PROPELLER (3X10-1/4"X16"-G)	1	UR
23	663-45930-00-98	PROPELLER (3X10-1/4"X14"-G)	1	UR
23	663-45943-02-EL	PROPELLER (3X11"X15"-G)	1	UR
23	663-45945-02-EL	PROPELLER (3X11-1/8"X13"-G)	1	UR
23	663-45958-01-EL	PROPELLER (3X11-1/4"X14"-G)	1	UR
23	663-45952-02-EL	PROPELLER (3X11-3/8"X12"-G)	1	UR
23	697-45970-00-98	PROPELLER (3X11-1/4"X14"-G)	1	UR
23	663-45954-01-EL	PROPELLER (3X11-3/4"X10"-G)	1	UR
23	663-45941-01-EL	PROPELLER (3X10-3/4"X17"-G)	1	UR
23	663-45974-60-98	PROPELLER (3X11-1/2"X13"-G)	1	UR
23	663-45972-60-98	PROPELLER (3X12"X11"-G)	1	UR
23	663-45970-60-98	PROPELLER (3X11-3/4"X12"-G)	1	UR
23	663-45947-02-EL	PROPELLER (3X11-5/8"X11"-G)	1	UR
23	663-45949-01-EL	PROPELLER (3X10-3/4"X16"-G)	1	UR
23	663-45956-01-EL	PROPELLER (3X12-1/4"X9"-G)	1	UR



6960100-0160