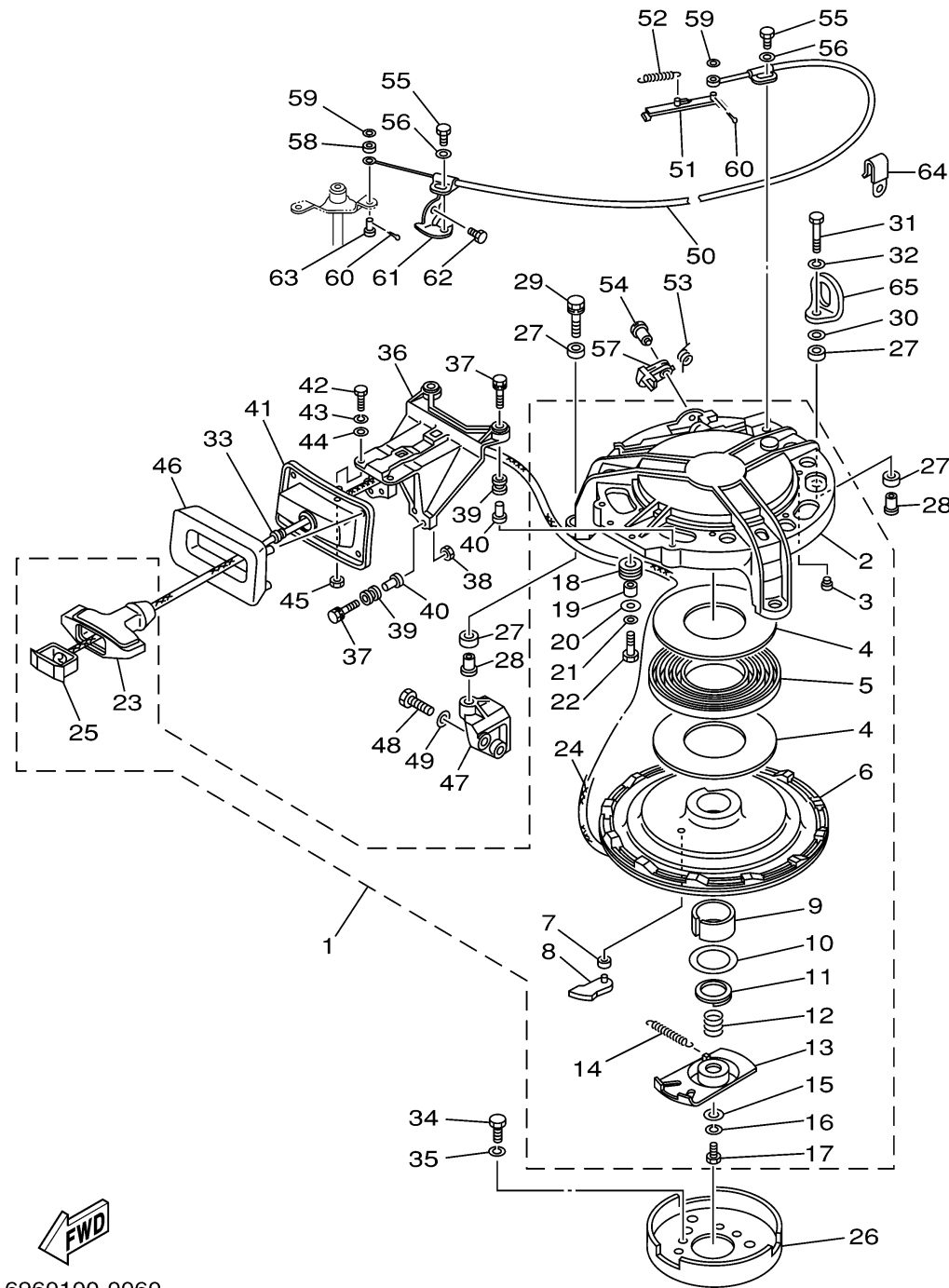


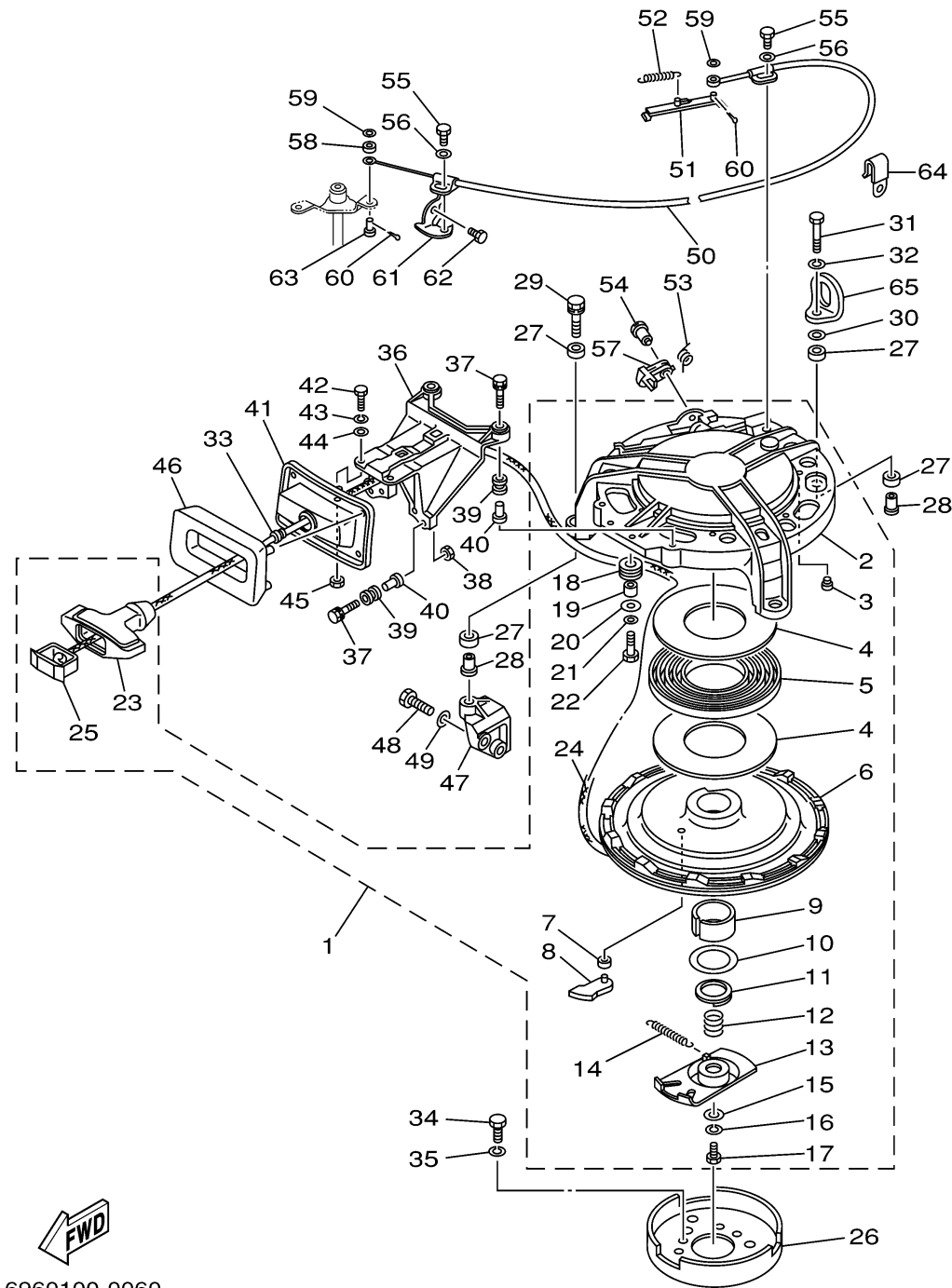
STARTER



Ref No.	Part Number	Description	Qty	Remarks
1	696-W1571-02-00	STARTER ASSY	1	
2	663-15711-02-00	. CASE, STARTER	1	
3	696-15773-00-00	. STAY 3	6	
4	663-15739-00-00	. WASHER, THRUST	2	
5	663-15713-00-00	. SPRING, STARTER	1	
6	663-15714-01-00	. DRUM, SHEAVE	1	
7	663-15764-00-00	. COLLAR 1	1	
8	663-15741-02-00	. PAWL, DRIVE	1	
9	663-15754-00-00	. BUSH 2	1	
10	663-15726-01-00	. WASHER, FLAT	1	
11	663-15744-00-00	. CIRCLIP	1	
12	663-15715-00-00	. SPRING, FRICTION	1	
13	696-15716-00-00	. PLATE, DRIVE	1	
14	696-15734-00-00	. SPRING, RETURN	1	
15	663-15719-00-00	. WASHER, THRUST	1	
16	92903-06100-00	. WASHER, SPRING	1	
17	97303-06016-00	. BOLT	1	
18	663-15752-00-00	. ROLLER, WIRE	1	
19	663-15753-00-00	. .BUSH	1	
20	663-15791-00-00	. .WASHER, LOCK	1	

CONTINUED ON NEXT FRAME >

STARTER



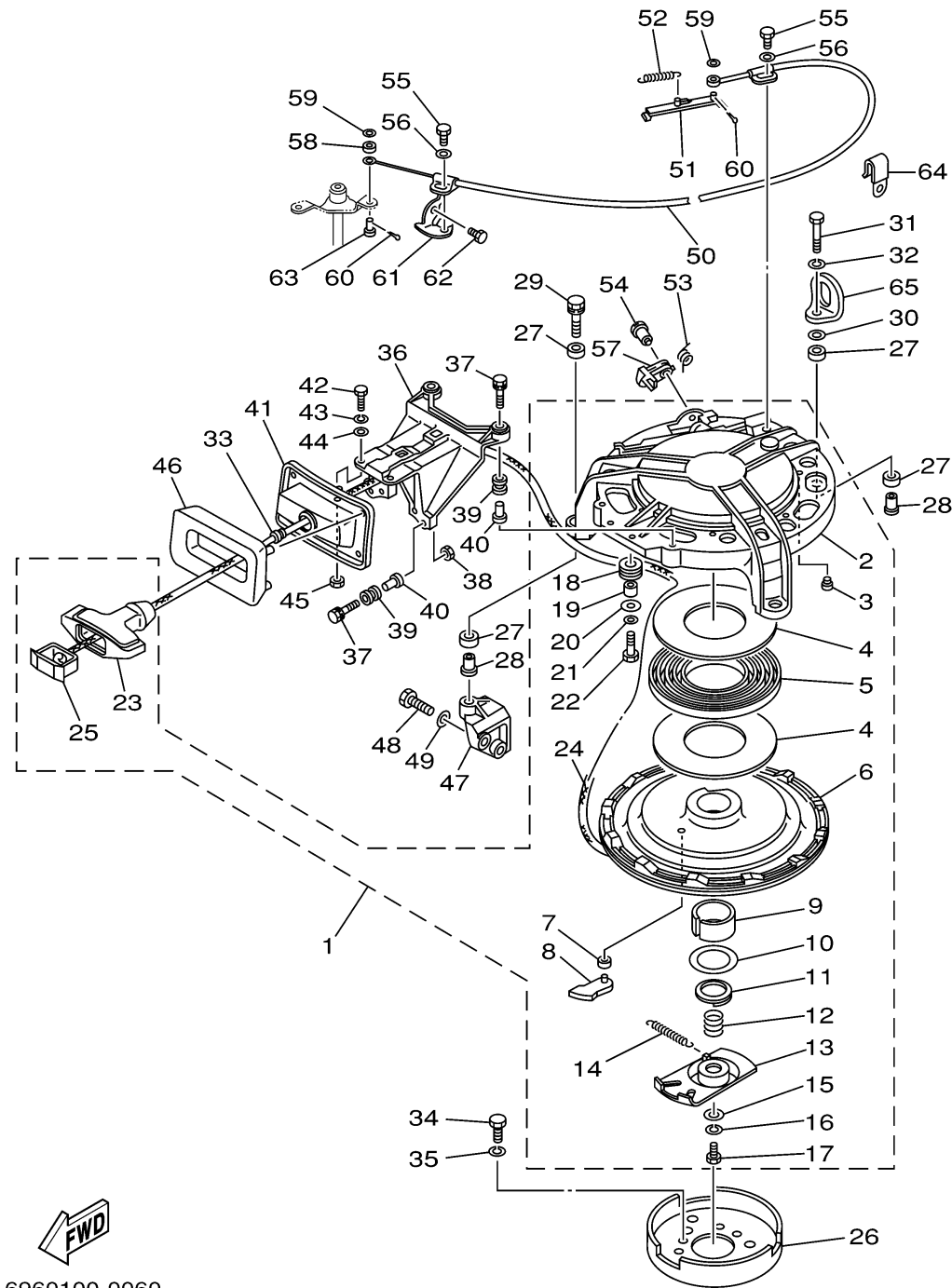
Ref No.	Part Number	Description	Qty	Remarks
21	92903-06100-00	. WASHER, SPRING	1	
22	97303-06025-00	. BOLT	1	
23	689-15755-01-00	. .HANDLE, STARTER	1	
24	90580-50M01-00	. STARTER ROPE	1	
25	6F5-15779-02-00	. .COVER	1	
26	6K5-15723-00-00	PULLEY, STARTER	1	
27	90385-12M04-00	BUSH	6	
28	90387-08M05-00	COLLAR	3	
29	90119-08M26-00	BOLT, WITH WASHER	2	
30	90201-08095-00	WASHER, PLATE	1	
31	97095-08040-00	BOLT	1	
32	92995-08100-00	WASHER	1	
33	697-15789-00-00	DAMPER	1	
34	97013-08014-00	BOLT	3	
35	92903-08100-00	WASHER, SPRING	3	
36	697-15787-00-94	ADAPTOR	1	
37	90119-06M30-00	BOLT, WITH WASHER	4	
38	95303-06600-00	.NUT	2	
39	6A0-82317-00-00	DAMPER, IGNITION COIL	4	
40	624-42542-00-00	PIPE	4	

CONTINUED ON NEXT FRAME >



6960100-0060

STARTER



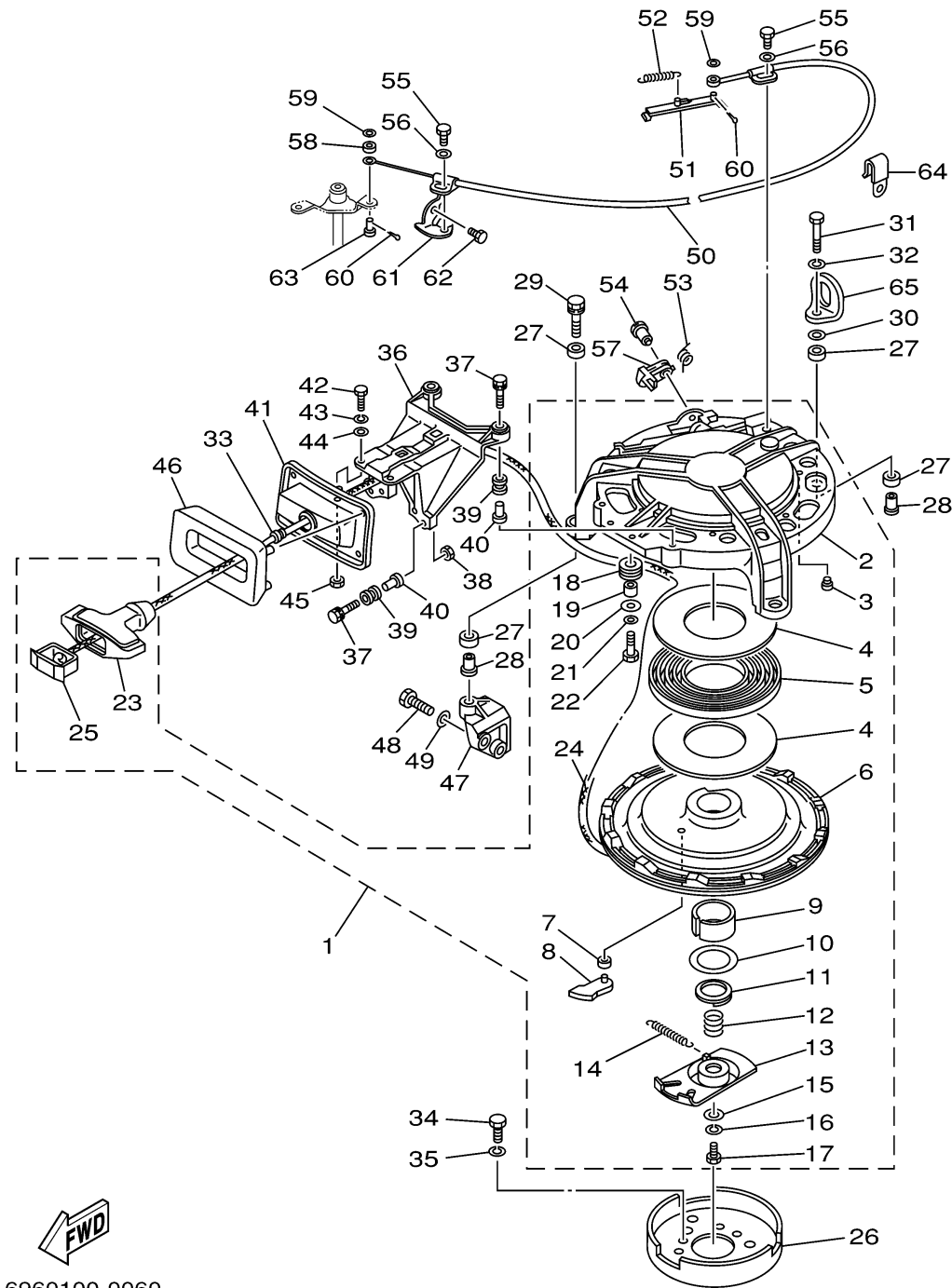
Ref No.	Part Number	Description	Qty	Remarks
41	697-15758-01-4D	GUIDE, ROPE	1	
42	97095-06020-00	BOLT	2	
43	92995-06100-00	WASHER	2	
44	92995-06600-00	WASHER	2	
45	95303-06600-00	.NUT	2	
46	697-15762-00-00	SEAL, RUBBER 2	1	
47	663-15771-00-94	STAY 1	1	
48	97013-08030-00	BOLT	2	
49	92903-08100-00	WASHER, SPRING	2	
50	697-15770-01-00	CABLE COMP., STARTER STOP	1	
51	663-15735-01-00	GUIDE, CAM	1	
52	90506-08M23-00	SPRING, TENSION	1	
53	90508-12015-00	SPRING, TORSION	1	
54	90149-05095-00	SCREW	1	
55	97095-06012-00	BOLT	2	
56	92995-06600-00	WASHER	2	
57	663-15794-00-00	STOPPER	1	
58	663-15736-00-00	RING, RETAINING 1	1	
59	92995-06200-00	WASHER	2	
60	91490-16012-00	.PIN, COTTER	2	

CONTINUED ON NEXT FRAME >



6960100-0060

STARTER



Ref No.	Part Number	Description	Qty	Remarks
61	663-15772-01-00	STAY 2	1	
62	97013-08012-00	BOLT	1	
63	91702-06014-00	PIN, CLEVIS	1	
64	90465-06M90-00	CLAMP	1	
65	697-11119-00-00	HANGER, ENGINE	1	