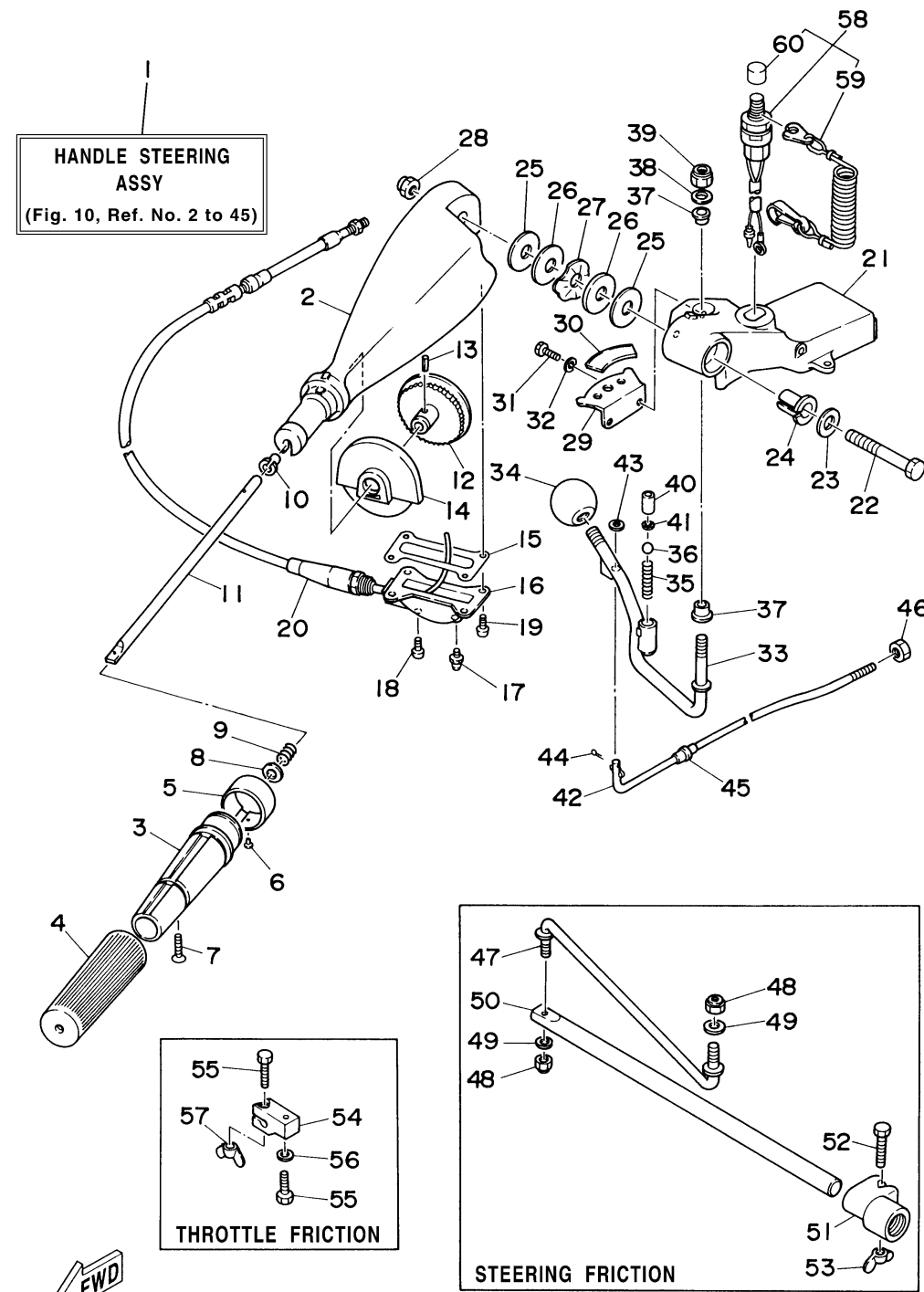


STEERING

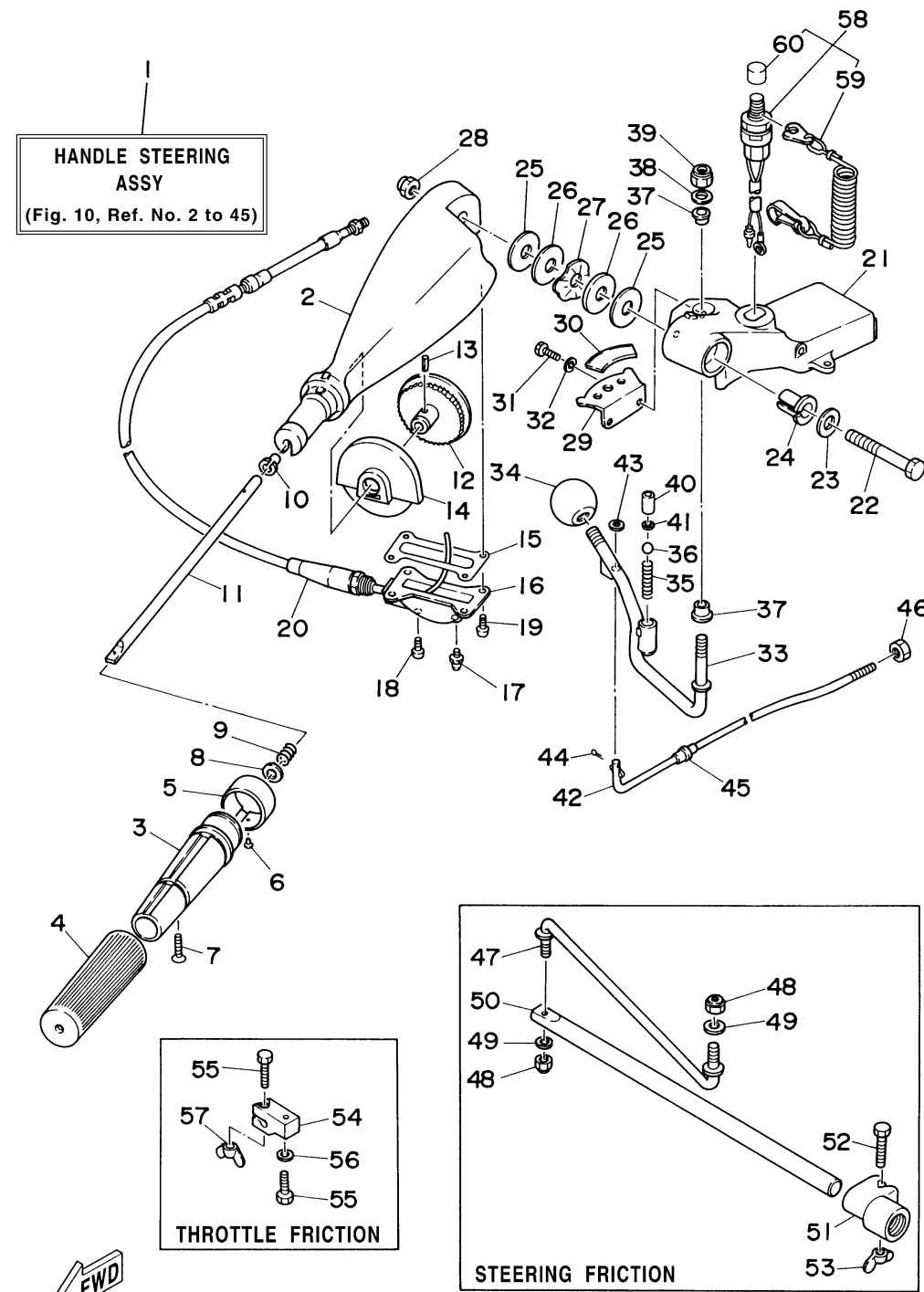


6960100-4100

Ref No.	Part Number	Description	Qty	Remarks
1	697-W0084-00-4D	HANDLE STEERING ASSY	1	
2	663-42111-02-4D	HANDLE, STEERING	1	
3	664-42119-00-00	GRIP, STEERING HANDLE	1	
4	6F6-42177-A0-00	RUBBER, HANDLE	1	
5	697-42137-10-00	INDICATOR, THROTTLE	1	
6	90269-02M09-00	RIVET	1	
7	90149-05M13-00	SCREW	1	
8	92903-10600-00	WASHER, PLATE	1	
9	90501-23215-00	SPRING, COMPRESSION	1	
10	90386-08032-00	BUSH	1	
11	663-42115-00-00	SHAFT, STEERING HANDLE	1	
12	663-42138-00-00	LEVER, THROTTLE	1	
13	91690-30216-00	PIN, SPRING	1	
14	663-42135-01-00	HOUSING, THROTTLE LEVER	1	
15	663-42133-01-00	GASKET	1	
16	663-42134-03-94	COVER, THROTTLE LEVER	1	
17	93700-06M03-00	NIPPLE, GREASE	1	
18	97885-06008-00	SCREW, PAN HEAD	1	
19	97885-05012-00	SCREW, PAN HEAD	4	
20	692-26301-03-00	THROTTLE CABLE ASSY	1	

CONTINUED ON NEXT FRAME >

STEERING

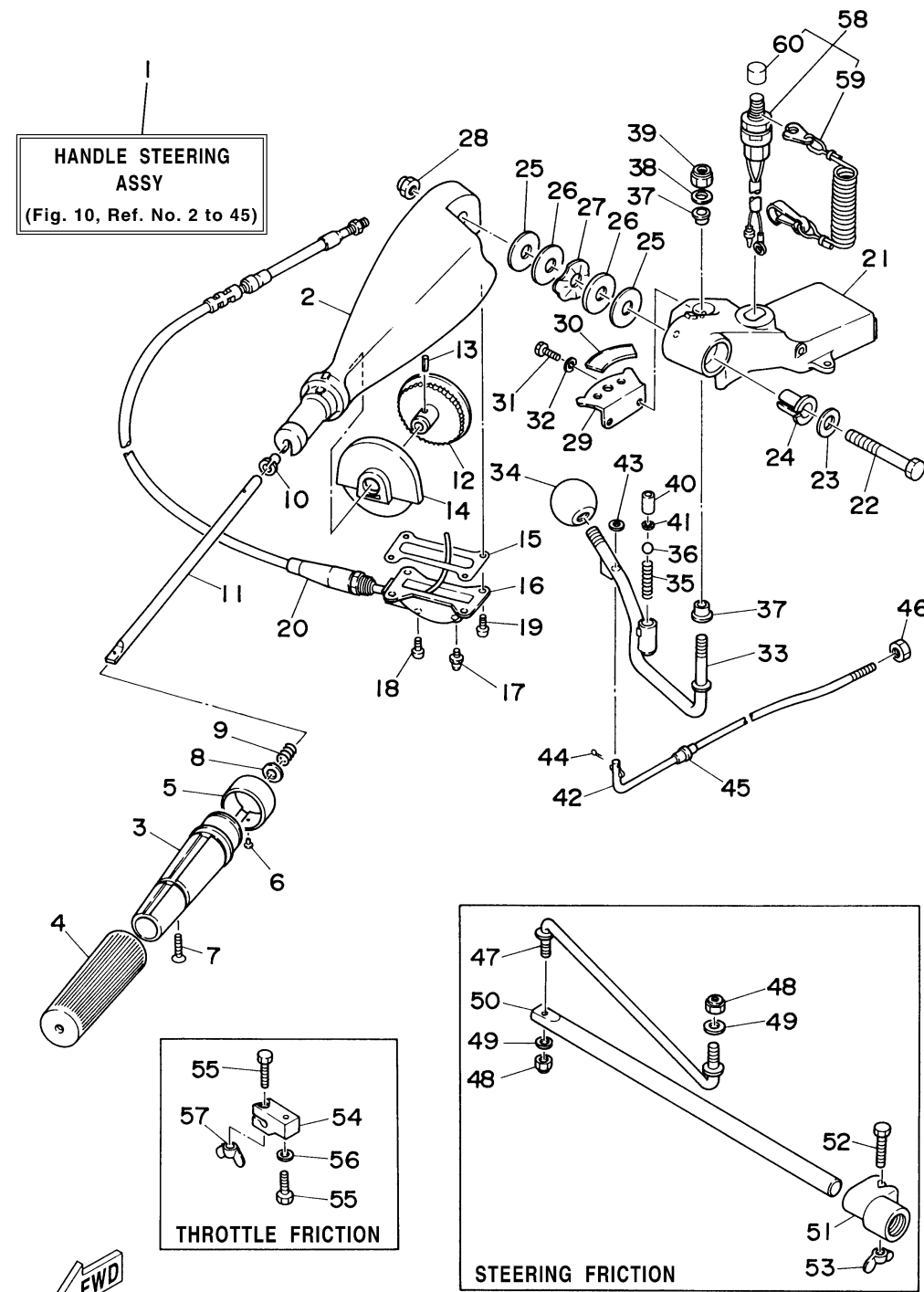


6960100-4100

Ref No.	Part Number	Description	Qty	Remarks
21	697-42121-00-4D	BRACKET	1	
22	90101-12M06-00	BOLT	1	
23	92990-12200-00	WASHER, PLAIN	1	
24	90386-12089-00	BUSH	1	
25	90202-12092-00	WASHER, PLATE	2	
26	90201-12537-00	WASHER, PLATE	2	
27	90206-12054-00	WASHER, WAVE	1	
28	90185-12058-00	NUT, SELF-LOCKING	1	
29	697-44113-00-00	CAM PLATE, HANDLE	1	
30	6K5-44191-00-00	INDICATOR, SHIFT	1	
31	97013-06016-00	BOLT	2	
32	92903-06100-00	WASHER, SPRING	2	
33	697-44159-00-00	HANDLE, GEAR SHIFT	1	
34	663-44173-00-00	LEVER, SHIFT CONTROL	1	
35	90501-16M17-00	SPRING, COMPRESSION	1	
36	93515-32M01-00	BALL	1	
37	90386-10009-00	BUSH	2	
38	90201-10120-00	WASHER, PLATE	1	
39	90185-10051-00	NUT, SELF-LOCKING	1	
40	90387-12M30-00	COLLAR	1	

CONTINUED ON NEXT FRAME >

STEERING



Ref No.	Part Number	Description	Qty	Remarks
41	90201-12M34-00	.WASHER, PLATE	1	
42	663-42164-00-00	ROD, MANUAL SHIFT	1	
43	92990-06600-00	WASHER, PLATE	1	
44	91490-25012-00	PIN, COTTER	1	
45	90386-06088-00	BUSH	1	
46	700-48339-00-00	NUT, CABLE END	1	
47	697-42515-00-00	ROD, STEERING LINK	1	AP
48	95780-08300-00	NUT, FLANGE	2	AP
49	92995-08600-00	WASHER	2	AP
50	663-42518-00-00	.SHAFT, FRICTION	1	AP
51	663-42528-00-00	.PLATE, FRICTION	1	AP
52	97095-06035-00	BOLT	1	AP
53	90175-06003-00	.NUT, WING	1	AP
54	663-42126-01-00	THROTTLE FRICTION	1	
55	97080-06025-00	BOLT	2	
56	92990-06600-00	WASHER, PLATE	1	
57	90175-06003-00	.NUT, WING	1	
58	6K5-82575-02-00	ENGINE STOP SWITCH ASSY	1	
59	682-82556-00-00	. LANYARD, STOP SWITCH	1	
60	689-8257Y-00-00	. CAP	1	

6960100-4100