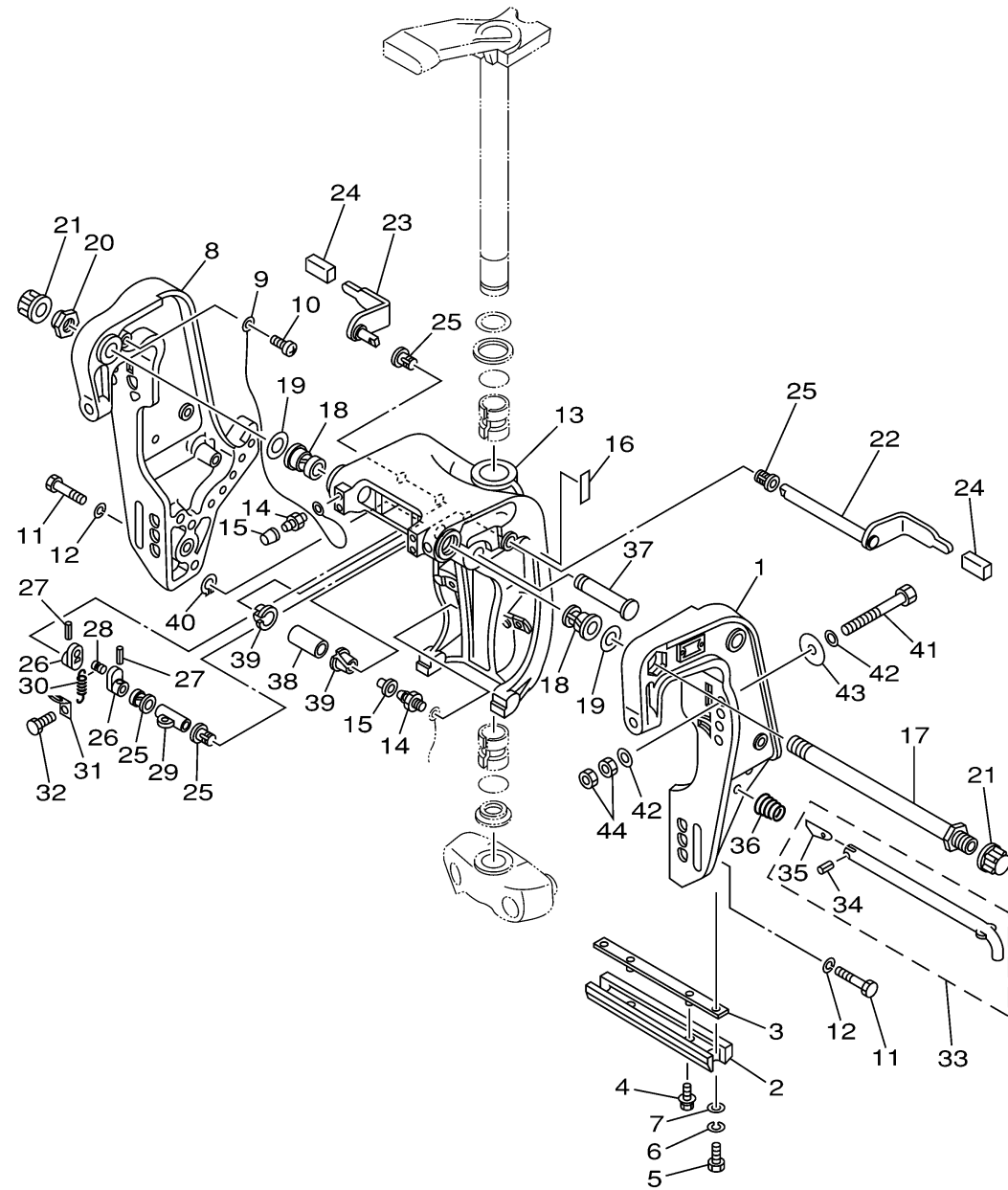


BRACKET 1

Ref No.	Part Number	Description	Qty	Remarks
1	688-43111-13-4D	BRACKET, CLAMP	1	
2	6H1-45251-03-00	ANODE	1	
3	6H1-44526-00-00	PLATE	1	
4	90119-06M29-00	BOLT, WITH WASHER	2	
5	97095-06016-00	BOLT	2	
6	92995-06100-00	WASHER	2	
7	92995-06600-00	WASHER	2	
8	688-43112-12-4D	BRACKET, CLAMP	1	
9	6E5-82148-00-00	WIRE, LEAD 4	1	
10	97880-06012-00	SCREW, PAN HEAD	1	
11	97095-10045-00	BOLT	6	
12	92995-10100-00	WASHER	6	
13	6H1-43311-01-4D	BRACKET, SWIVEL 1	1	
14	93700-06M03-00	NIPPLE, GREASE	3	
15	663-45119-00-00	CAP, GREASE NIPPLE	3	AP
16	688-43691-01-00	INDICATOR, TILT	1	
17	688-43131-03-00	BOLT, CLAMP BRACKET	1	
18	90386-22M15-00	BUSH	2	
19	90201-22M67-00	WASHER, PLATE	2	
20	90185-22043-00	NUT, SELF-LOCKING	1	

CONTINUED ON NEXT FRAME >

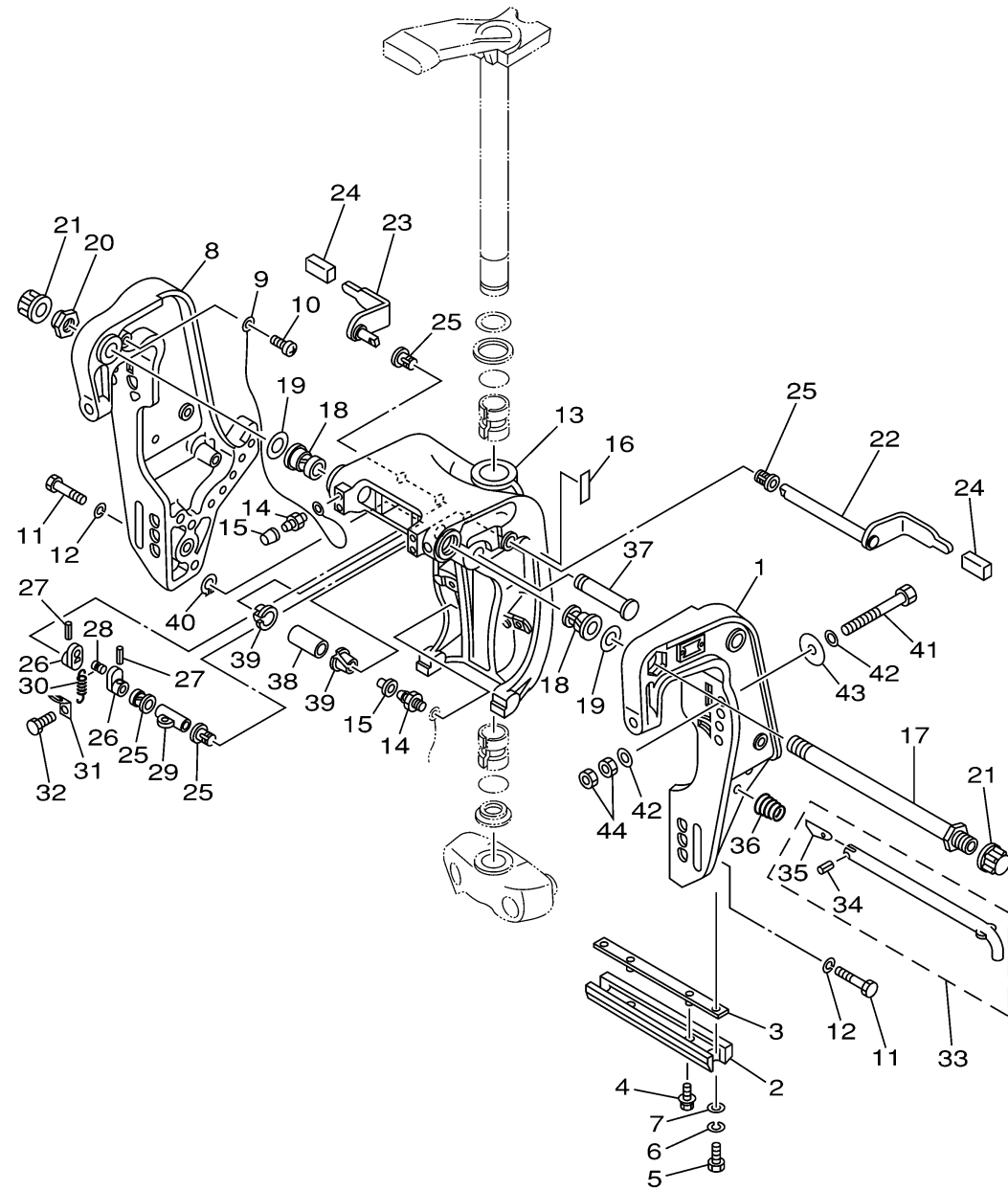


6920100-0140

BRACKET 1

Ref No.	Part Number	Description	Qty	Remarks
21	6G5-43145-00-00	ROD, TILT LOCK	2	
22	688-43181-10-00	LEVER, TILT STOP	1	
23	688-43185-10-00	LEVER, TILT STOP	1	
24	663-43318-00-00	COVER	2	
25	90386-10M16-00	BUSH	4	
26	6G5-43148-00-00	COLLAR, DISTANCE	2	
27	91690-30020-00	PIN, SPRING	2	
28	90249-06M19-00	PIN	1	
29	90387-10M02-00	COLLAR	1	
30	90506-14M24-00	SPRING, TENSION	1	
31	6G5-43144-00-00	HOOK, SPRING	1	
32	97095-06010-00	BOLT	1	
33	688-43160-01-00	TILT ROD ASSY	1	
34	91690-30012-00	. .PIN, SPRING	1	
35	688-43165-00-00	. .PLATE, TILT LOCK	1	
36	90502-16M02-00	SPRING, CONICAL	1	
37	6E5-43126-02-00	PIN, UPPER SHOCK MOUNT	1	
38	90386-18M21-00	BUSH	1	
39	90386-18M35-00	BUSH	2	
40	93410-18M02-00	CIRCLIP	1	

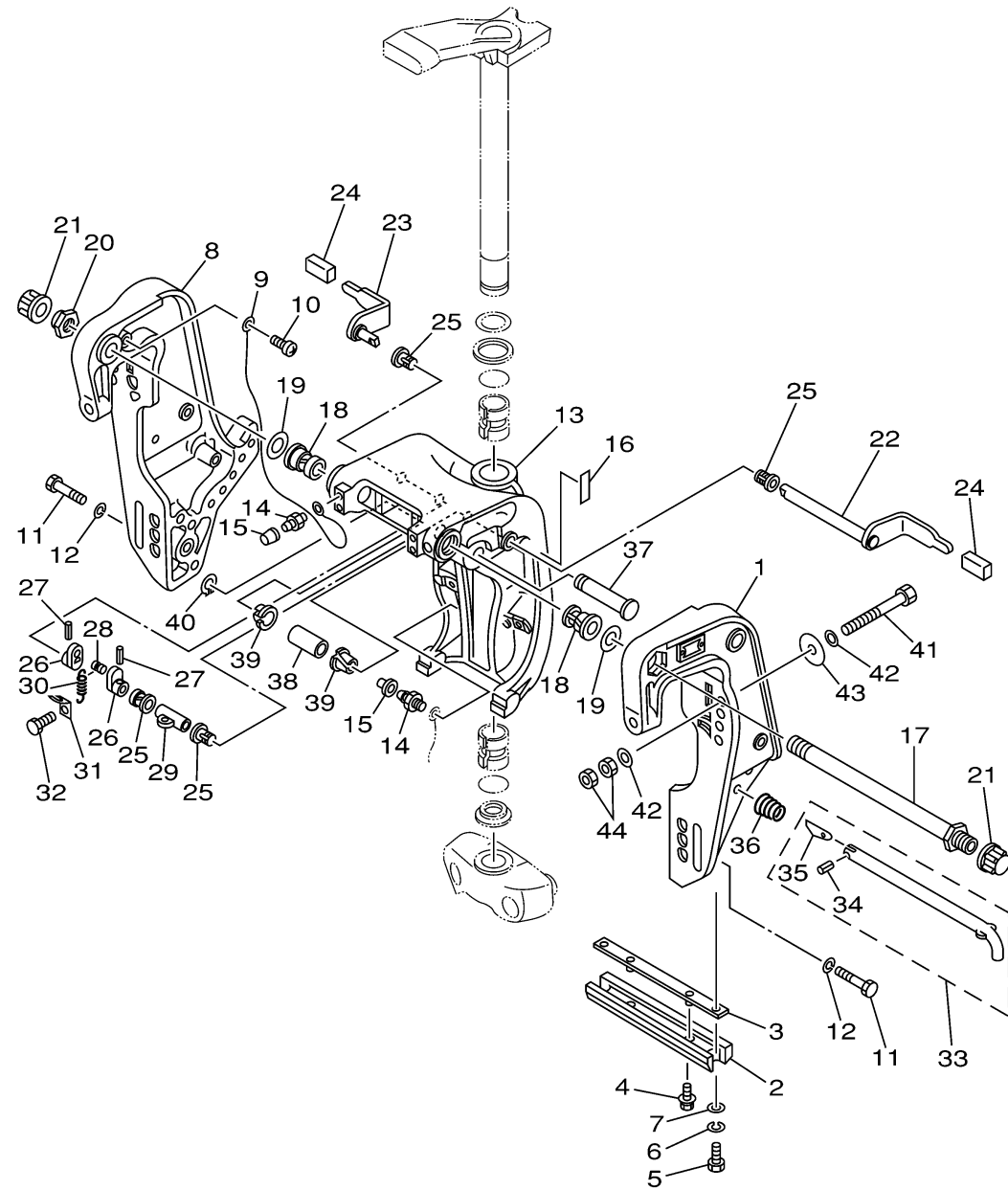
CONTINUED ON NEXT FRAME >



FWD
6920100-0140

BRACKET 1

Ref No.	Part Number	Description	Qty	Remarks
41	90101-12M65-00	BOLT	4	
42	92995-12200-00	WASHER	8	
43	90201-12426-00	WASHER, PLATE	4	
44	95380-12600-00	NUT	8	



6920100-0140