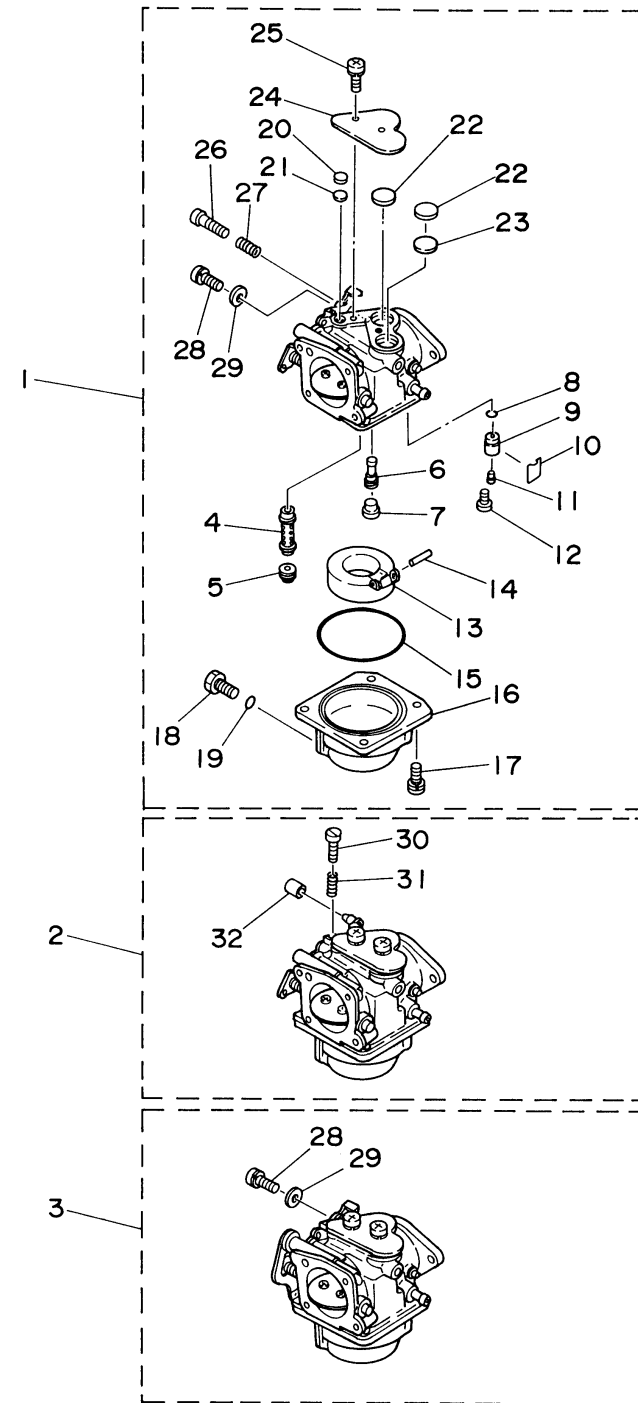


CARBURETOR

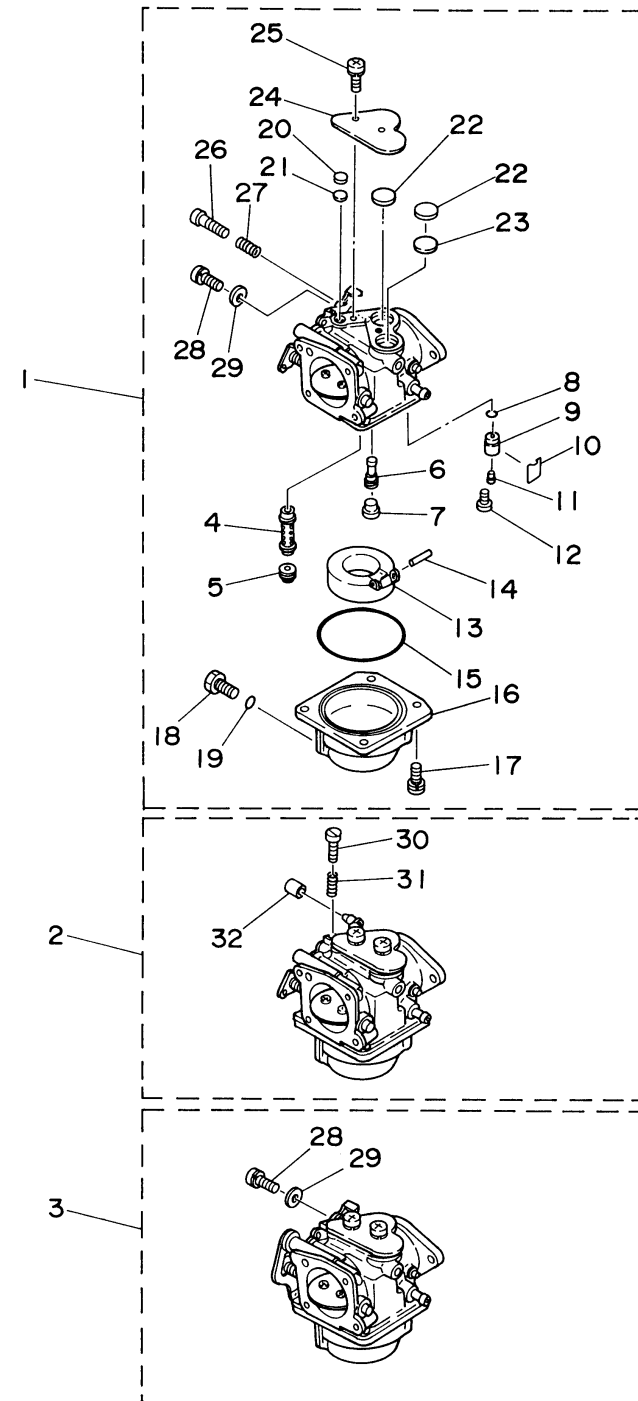


Ref No.	Part Number	Description	Qty	Remarks
1	692-14301-45-00	CARBURETOR ASSEMBLY 1	1	
2	692-14302-45-00	CARBURETOR ASSEMBLY 2	1	
3	692-14303-45-00	CARBURETOR ASSEMBLY 3	1	
4	692-14947-00-00	. JET, NEEDLE	3	
5	676-14943-41-00	. JET, MAIN (#170)	3	
6	676-14948-18-00	. JET (#78)	3	
7	676-14966-00-00	. .CAP	3	
8	93210-04228-00	. .O-RING	3	
9	692-14590-00-00	. VALVE SEAT	3	
10	663-14159-00-00	. CLIP	3	
11	676-14186-00-00	. .PIN, FLOAT	3	
12	98580-04008-00	. SCREW, PAN HEAD	3	
13	676-14985-01-00	. FLOAT	3	
14	688-14548-00-00	. .PIN, FLOAT ARM	3	
15	676-14984-00-00	. GASKET, FLOAT CHAMBER	3	
16	688-14980-00-00	. BODY, FLOAT CHAMBER	3	
17	97980-04114-00	. .SCREW, WITH WASHER	12	
18	6H3-14992-00-00	. .SCREW, DRAIN	3	
19	93210-04230-00	. .O-RING	3	
20	663-14126-00-00	. GASKET	3	

CONTINUED ON NEXT FRAME >


6880010-4050

CARBURETOR



Ref No.	Part Number	Description	Qty	Remarks
21	663-14527-00-00	. PLATE	3	
22	688-14126-00-00	. GASKET	6	
23	688-14527-00-00	. PLATE	3	
24	688-14572-01-00	. PLATE, STAY	3	
25	97980-05310-00	. SCREW, WITH WASHER	6	
26	692-14923-00-00	. .SCREW, PILOT	3	
27	679-14555-00-00	. .SPRING	3	
28	6K5-14592-00-00	. .SCREW	2	#1, 3
29	90201-05652-00	. .WASHER, PLATE	2	#1, 3
30	63V-14523-00-00	. .SCREW, STOP	1	#2
31	90501-10326-00	. .SPRING, COMPRESSION	1	#2
32	6H2-14578-00-00	. .COLLAR	1	#2


6880010-4050