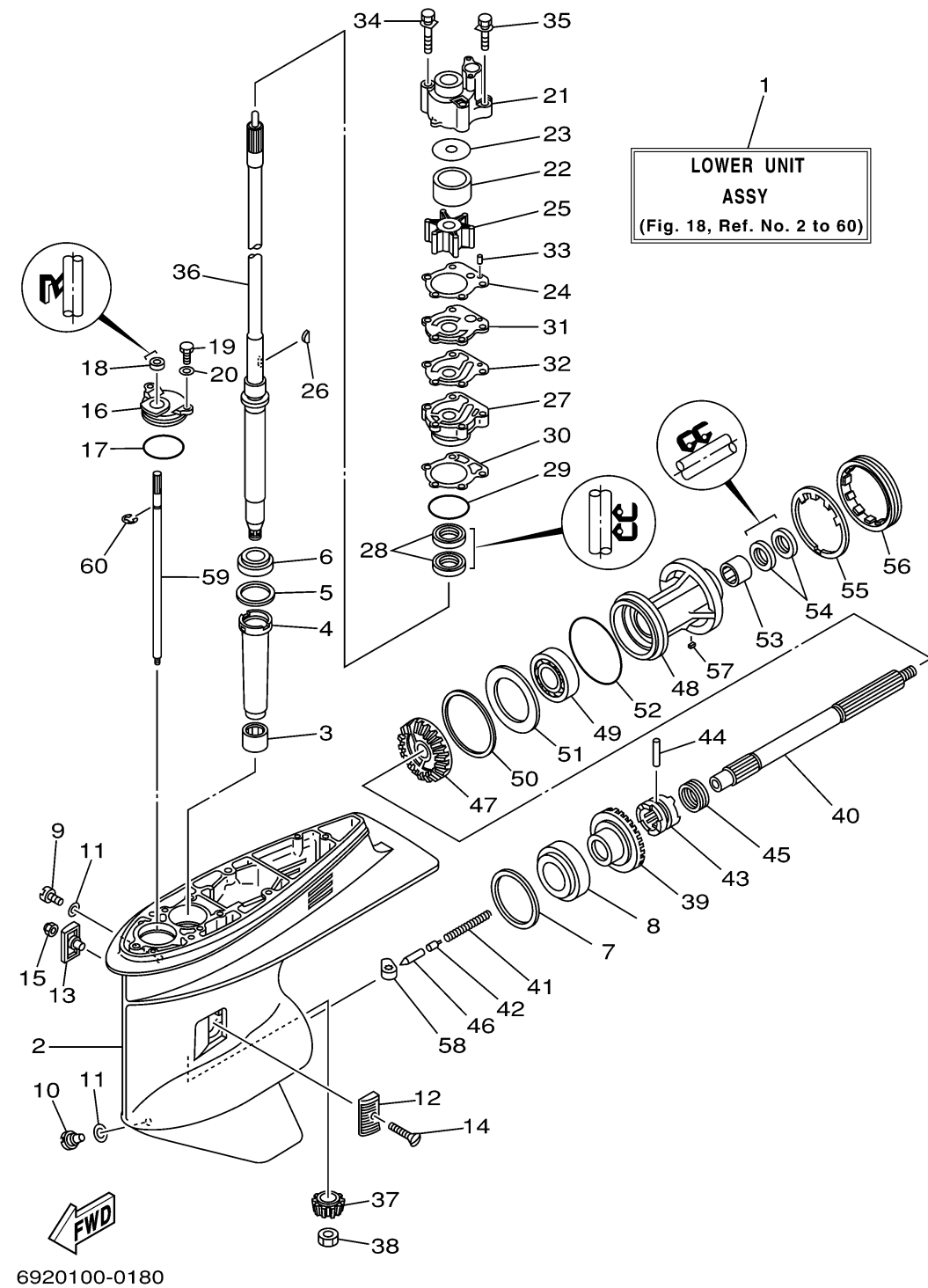


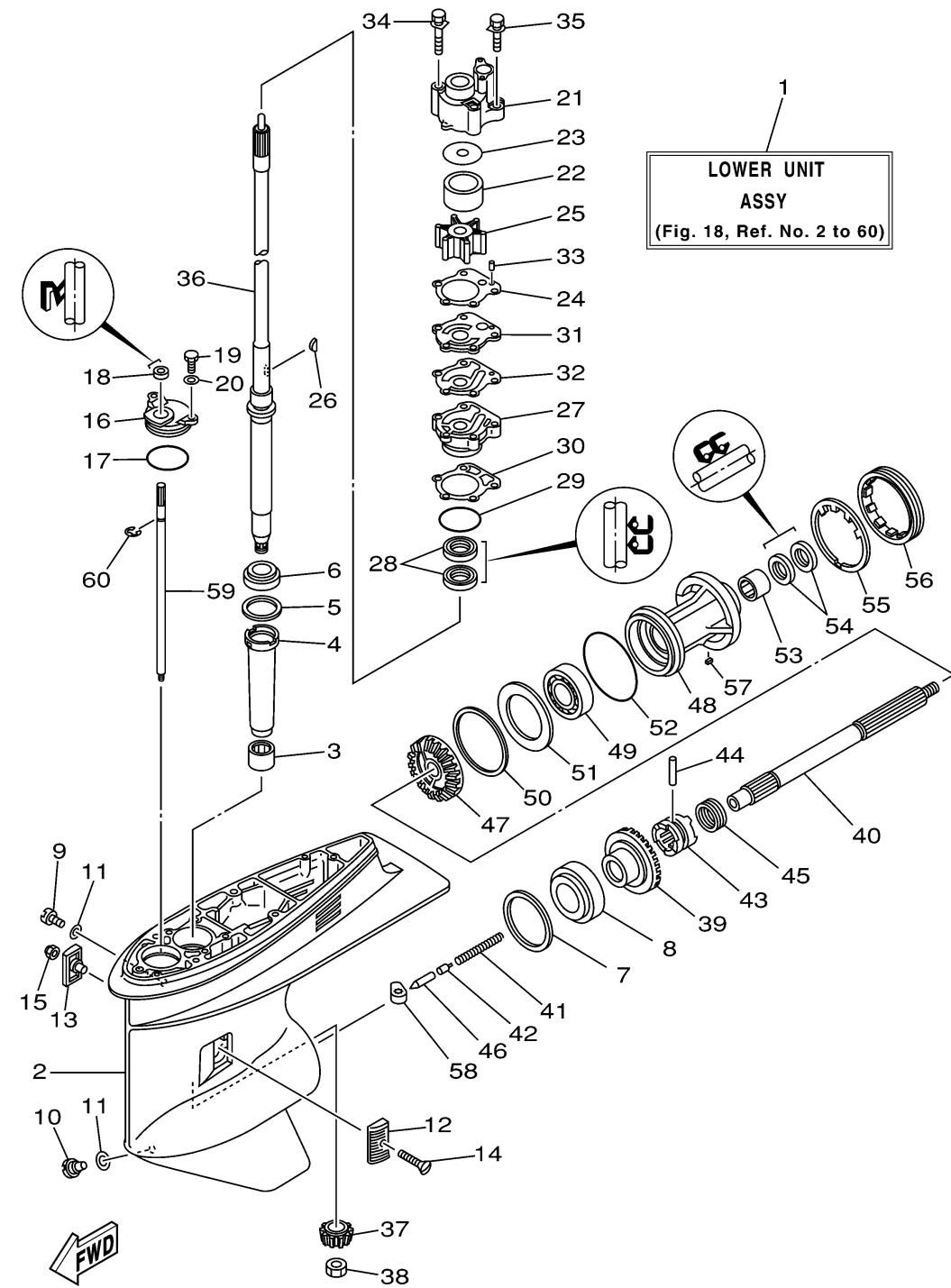
# LOWER CASING DRIVE 1



Ref No.	Part Number	Description	Qty	Remarks
1	692-45300-14-4D	LOWER UNIT ASSEMBLY	1	
2	688-45311-06-4D	CASING, LOWER	1	
3	93315-325V1-00	BEARING	1	
4	688-45536-01-00	SLEEVE, DRIVE SHAFT	1	
5	688-45587-01-15	SHIM (T:0.15MM)	1	UR
5	688-45587-01-10	SHIM (T:0.10MM)	1	UR
5	688-45587-01-50	SHIM (T:0.50MM)	1	UR
5	688-45587-01-30	SHIM (T:0.30MM)	1	UR
5	688-45587-01-12	SHIM (T:0.12MM)	1	UR
5	688-45587-01-18	SHIM (T:0.18MM)	1	UR
5	688-45587-01-40	SHIM (T:0.40MM)	1	UR
6	93332-000U3-00	BEARING	1	
7	688-45567-01-30	SHIM (T:0.30MM)	1	UR
7	688-45567-01-50	SHIM (T:0.50MM)	1	UR
7	688-45567-01-12	SHIM (T:0.12MM)	1	UR
7	688-45567-01-10	SHIM (T:0.10MM)	1	UR
7	688-45567-01-15	SHIM (T:0.15MM)	1	UR
7	688-45567-01-18	SHIM (T:0.18MM)	1	UR
7	688-45567-01-40	SHIM (T:0.40MM)	1	UR
8	93332-000W7-00	BEARING	1	

CONTINUED ON NEXT FRAME >

# LOWER CASING DRIVE 1

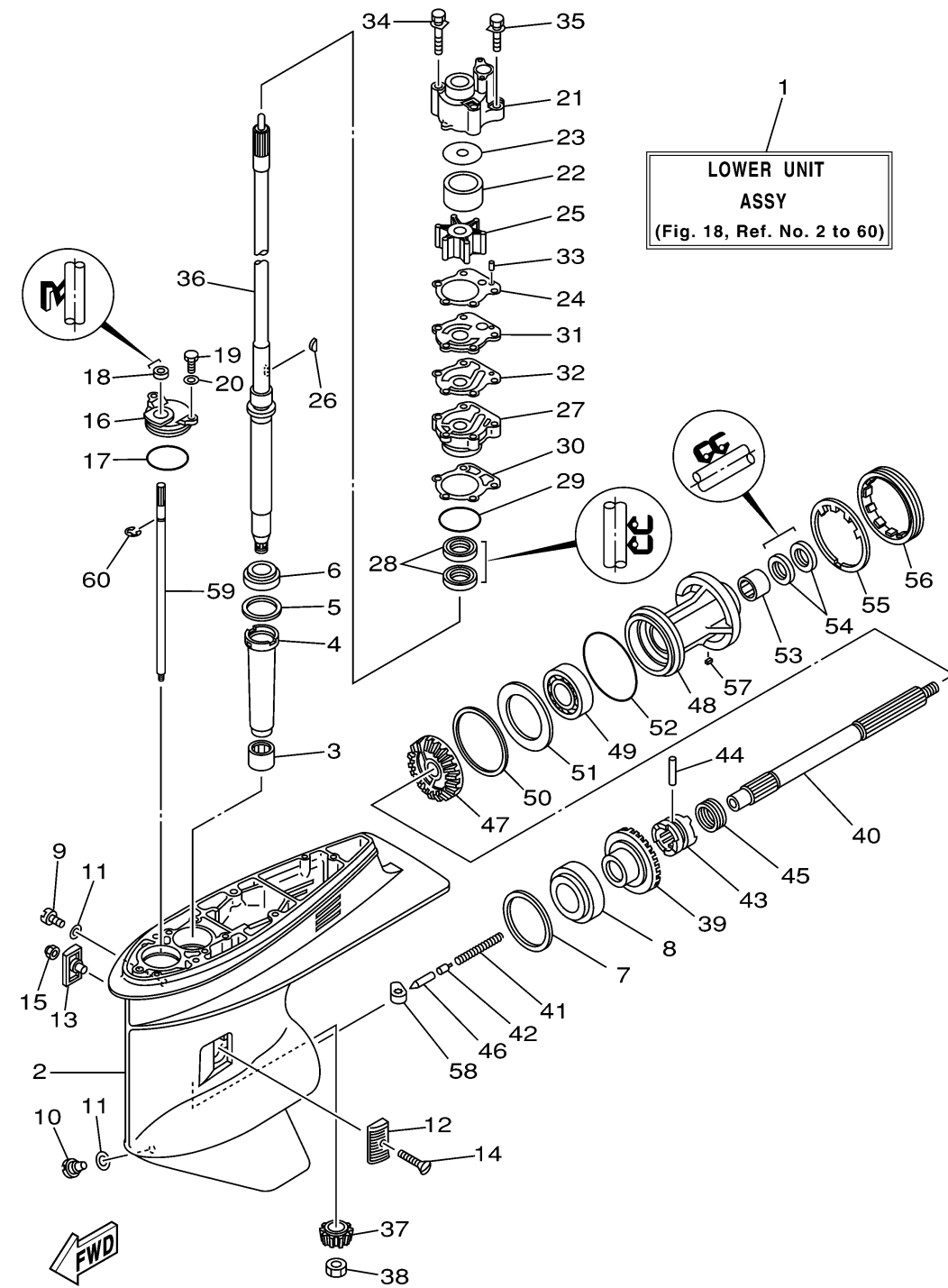


6920100-0180

Ref No.	Part Number	Description	Qty	Remarks
9	90340-08M04-00	PLUG, STRAIGHT SCREW	1	
10	688-45341-00-00	PLUG, DRAIN	1	
11	90430-08020-00	.GASKET	2	
12	6H1-45214-00-00	COVER, WATER INLET 1	1	
13	6H1-45215-00-00	COVER, WATER INLET 2	1	
14	90151-05M00-00	SCREW, COUNTERSUNK	1	
15	90185-05002-00	NUT, NYLON	1	
16	688-45321-00-00	PLATE	1	
17	93210-49046-00	O-RING	1	
18	93106-09014-00	.OIL SEAL	1	
19	97095-06016-00	BOLT	2	
20	92995-06600-00	WASHER	2	
21	688-44311-01-00	HOUSING, WATER PUMP	1	
22	688-44322-41-00	.INSERT, CARTRIDGE	1	CHROME
23	688-44321-41-00	.INNER PLATE, CARTRIDGE	1	CHROME
24	688-44315-A0-00	.GASKET, WATER PUMP	1	
25	688-44352-03-00	.IMPELLER	1	
26	90280-04M04-00	WOODRUFF KEY, DRIVESHAFT	1	
27	688-44341-01-94	HOUSING, WATER PUMP	1	
28	93101-25M03-00	.OIL SEAL	2	

CONTINUED ON NEXT FRAME >

# LOWER CASING DRIVE 1

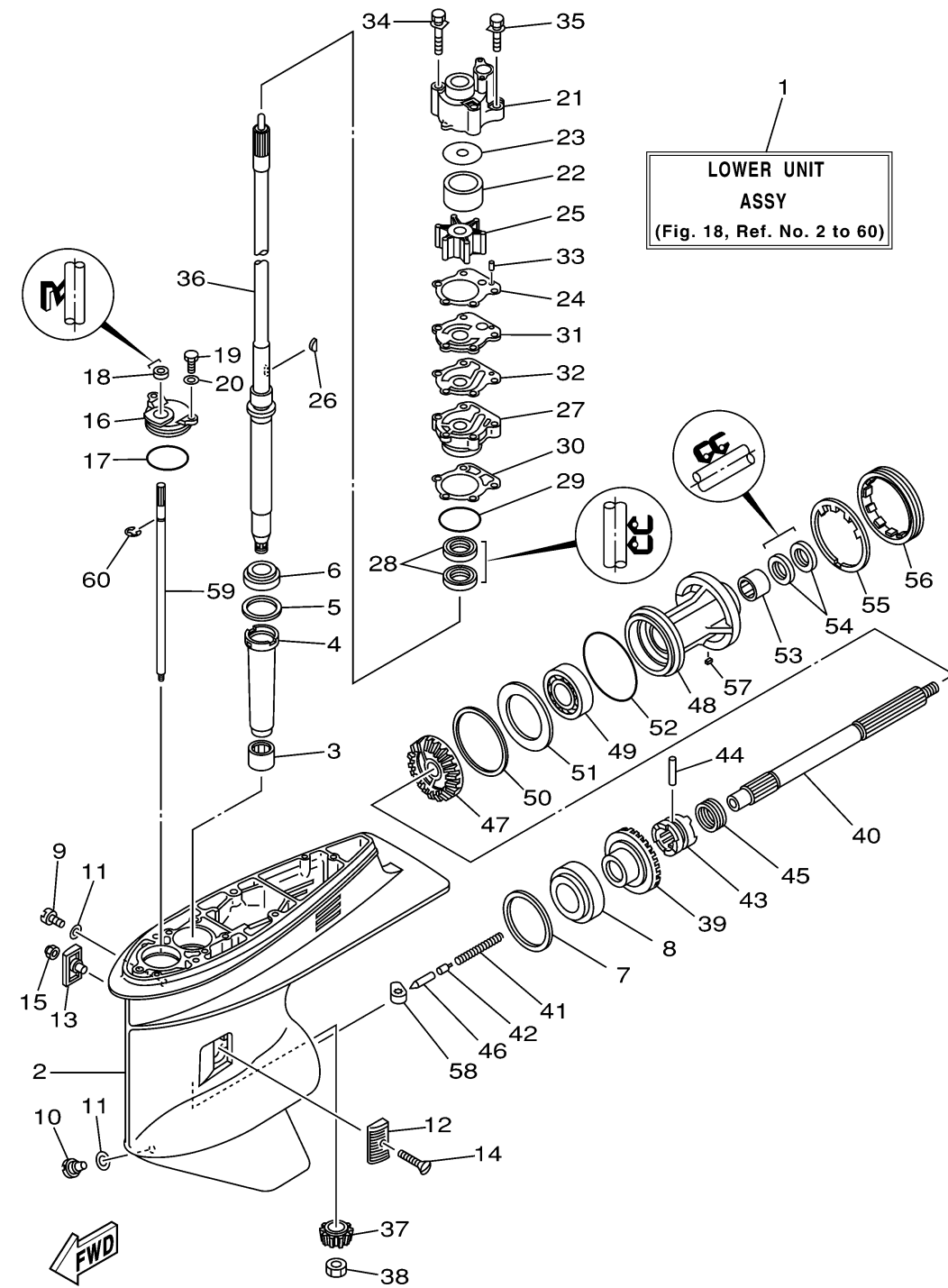


6920100-0180

Ref No.	Part Number	Description	Qty	Remarks
29	93210-46044-00	O-RING	1	
30	688-44316-A0-00	.GASKET, WATER PUMP	1	
31	688-44323-40-00	.OUTER PLATE, CARTRIDGE	1	CHROME
32	688-44324-A0-00	.GASKET, CARTRIDGE	1	
33	93604-10M03-00	.PIN, DOWEL	2	
34	90119-08M16-00	.BOLT, WITH WASHER	2	
35	90119-08M13-00	.BOLT, WITH WASHER	2	
36	688-45501-11-00	DRIVE SHAFT COMP.	1	
37	688-45551-01-00	PINION (13T)	1	
38	90170-16M01-00	NUT	1	
39	688-45560-00-00	GEAR 1 (26T)	1	
40	688-45611-00-00	SHAFT, PROPELLER	1	
41	90501-16233-00	SPRING, COMPRESSION	1	
42	688-45634-00-00	SLIDE, SHIFT	1	
43	688-45631-01-00	CLUTCH, DOG	1	
44	90250-07M02-00	PIN, STRAIGHT	1	
45	688-45633-00-00	RING, CROSS PIN	1	
46	688-45635-00-00	PLUNGER, SHIFT	1	
47	688-45571-01-00	GEAR	1	
48	688-45331-00-94	HOUSING, BEARING	1	

CONTINUED ON NEXT FRAME >

# LOWER CASING DRIVE 1



6920100-0180

Ref No.	Part Number	Description	Qty	Remarks
49	93306-207U0-00	.BEARING	1	
50	688-45577-01-30	SHIM (T:0.30MM)	1	UR
50	688-45577-01-12	SHIM (T:0.12MM)	1	UR
50	688-45577-01-50	SHIM (T:0.50MM)	1	UR
50	688-45577-01-40	SHIM (T:0.40MM)	1	UR
50	688-45577-01-18	SHIM (T:0.18MM)	1	UR
50	688-45577-01-15	SHIM (T:0.15MM)	1	UR
50	688-45577-01-10	SHIM (T:0.10MM)	1	UR
51	688-45576-00-00	WASHER, THRUST	1	
52	93210-85M97-00	.O-RING	1	
53	93317-325U0-00	BEARING	1	
54	93101-25M03-00	.OIL SEAL	2	
55	688-45383-02-00	WASHER, CLAW	1	
56	688-45384-02-00	NUT	1	
57	90282-04010-00	KEY, STRAIGHT	1	
58	663-44151-00-00	CAM, SHIFT	1	
59	663-44144-01-00	ROD, SHIFT	1	
60	93430-08006-00	CIRCLIP	1	