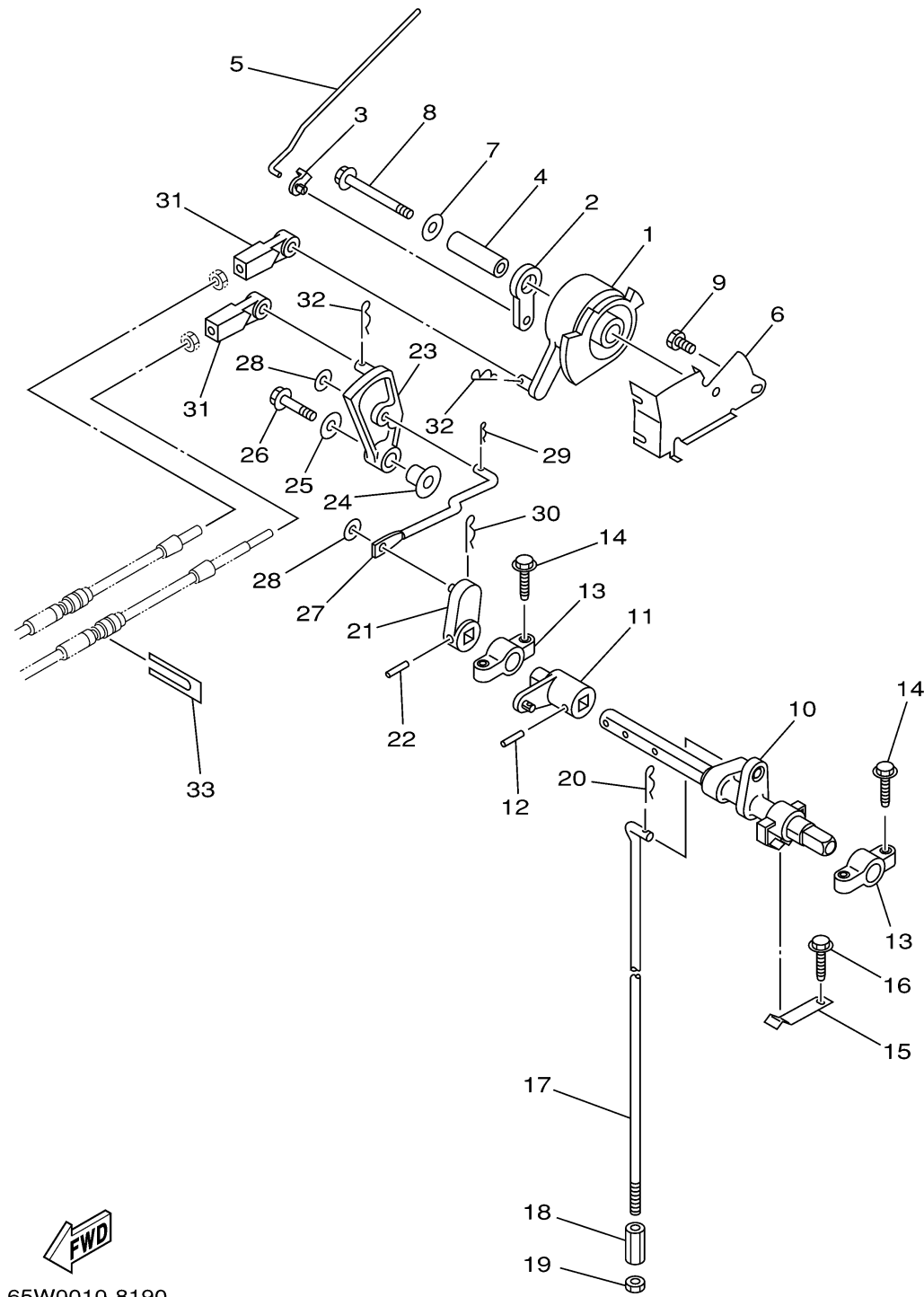


CONTROL

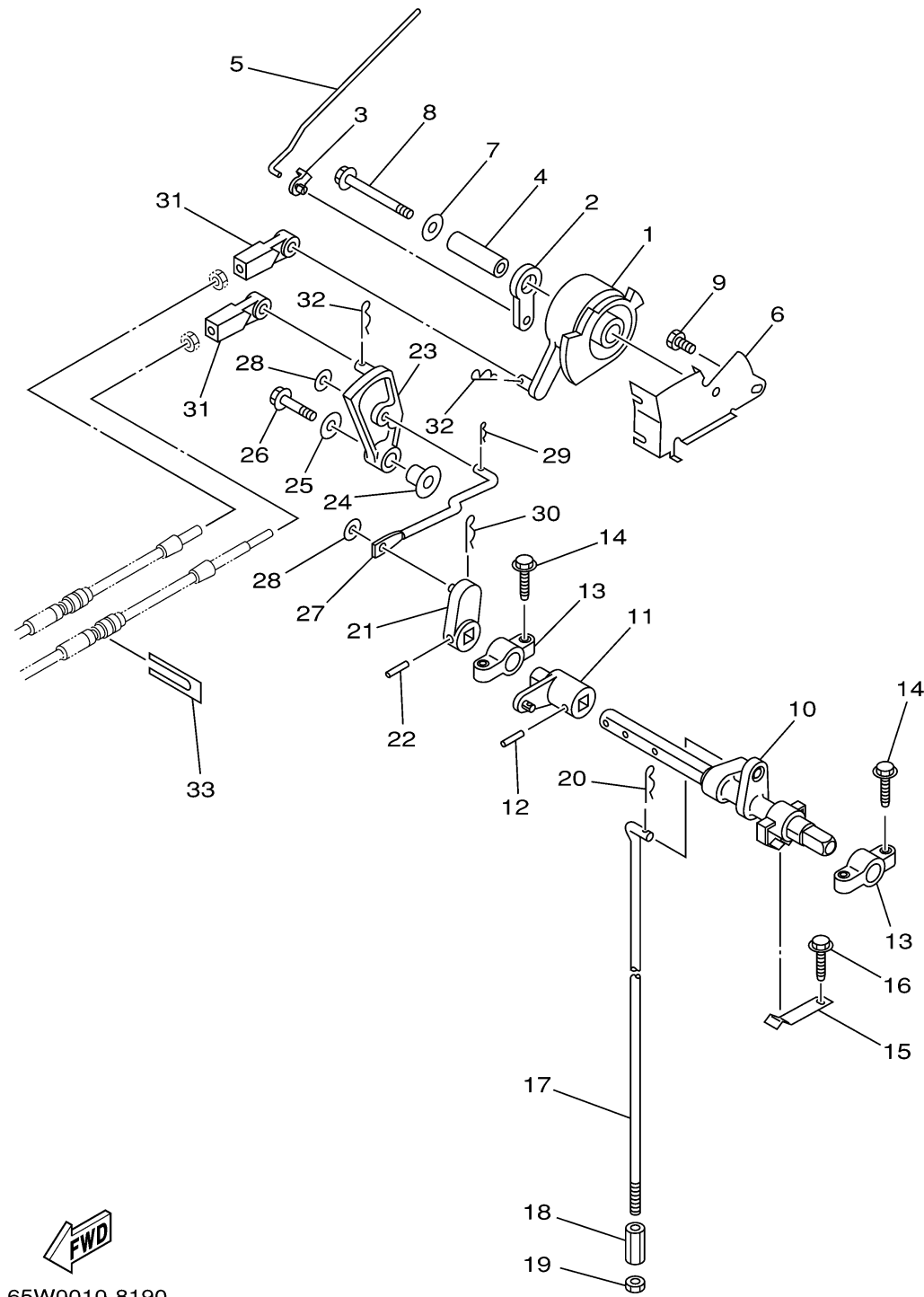


Ref No.	Part Number	Description	Qty	Remarks
1	65W-41638-00-00	PULLEY	1	
2	65W-41283-00-00	.LEVER, FREE ACCEL.	1	
3	661-41262-02-00	JOINT, CHOKE LEVER	1	
4	90387-06M08-00	COLLAR	1	
5	65W-41211-00-00	LINK, ACCEL.	1	
6	65W-14497-01-00	STAY, THROTTLE WIRE	1	
7	90201-06M31-00	.WASHER, PLATE	1	
8	97595-06555-00	BOLT, WITH WASHER	1	
9	97095-06010-00	BOLT	1	
10	65W-44121-00-00	LEVER, SHIFT ROD	1	
11	65W-44122-00-00	BUSHING, SHIFT ROD LEVER	1	
12	90254-03M05-00	PIN, SPRING	1	
13	6F5-41662-00-00	BRACKET 2	2	
14	90109-06M81-00	.BOLT	4	
15	65W-44116-00-00	SPRING	1	
16	90109-06M86-00	.BOLT	1	
17	65W-44143-00-00	ROD, SHIFT	1	S
17	65W-44143-10-00	ROD, SHIFT	1	L
18	90170-06015-00	NUT	1	
19	95380-06700-00	NUT	1	

CONTINUED ON NEXT FRAME >


65W0010-8190

CONTROL



65W0010-8190

Ref No.	Part Number	Description	Qty	Remarks
20	90468-18008-00	.CLIP	1	
21	65W-44142-00-00	.JOINT	1	
22	90254-03M05-00	PIN, SPRING	1	
23	65W-44125-00-00	.LEVER, SHIFT ROD	1	
24	90387-06M29-00	COLLAR	1	
25	90201-06M31-00	.WASHER, PLATE	1	
26	97595-06525-00	BOLT, WITH WASHER	1	
27	65W-44192-00-00	.JOINT, ROD 1	1	
28	90201-05M06-00	.WASHER, PLATE	2	
29	90468-10005-00	CLIP	1	
30	90468-18008-00	.CLIP	1	
31	663-48344-00-00	.CABLE END, REMOTE CONTROL	2	ER, TR
32	90468-18008-00	.CLIP	2	ER, TR
33	6H3-48538-00-00	.CLAMP, CABLE 1	1	ER, TR