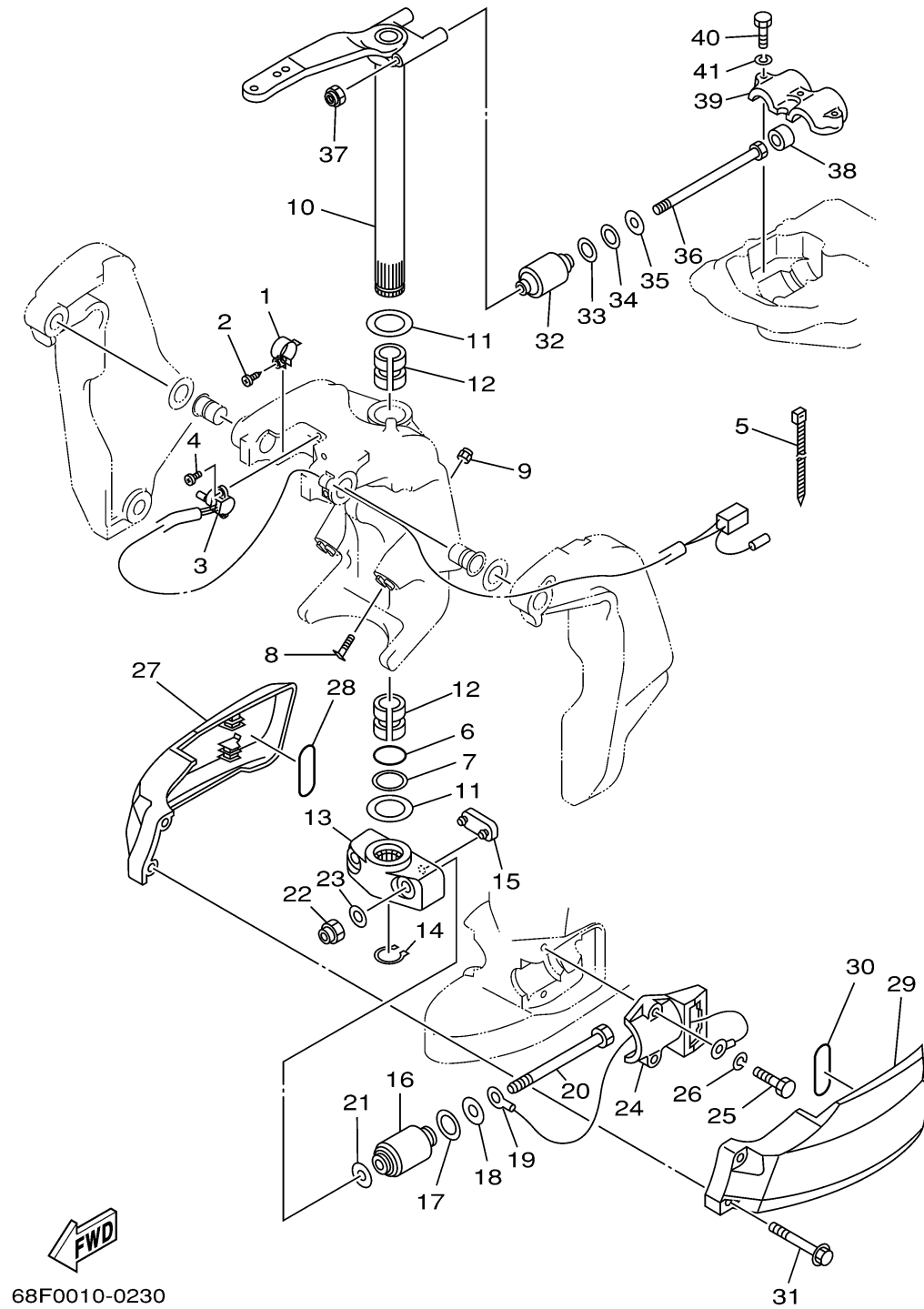


# BRACKET 2

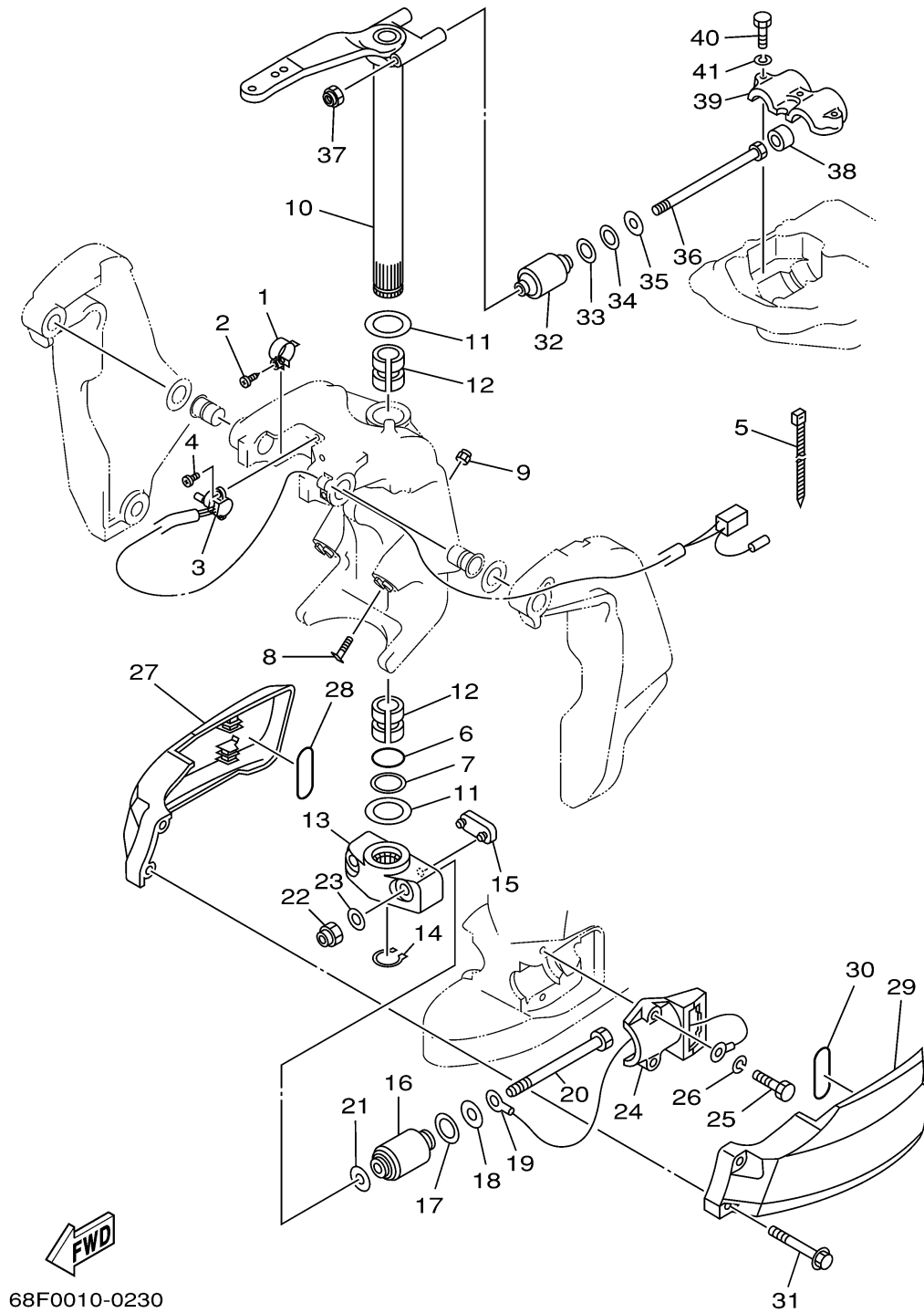


68F0010-0230

Ref No.	Part Number	Description	Qty	Remarks
1	64E-43139-01-00	CAM, TRIM SENDER	1	(68J)
2	97780-60525-00	SCREW, TAPPING	1	(68J)
3	64E-83672-01-00	TRIM SENDER	1	(68J)
4	97885-06016-00	SCREW, PAN HEAD	2	(68J)
5	90465-11M10-00	.CLAMP	3	(68J)
6	93210-37MH7-00	O-RING	1	(68J)
7	90202-40M47-00	WASHER, PLATE	1	(68J)
8	61A-43376-00-00	BOLT, THRUST RECEIVER	2	(68J)
9	95780-10300-00	NUT, FLANGE	2	(68J)
10	68F-42510-A0-8D	STEERING BRACKET ASSY	1	L (68J)
11	90201-38M60-00	WASHER, PLATE	2	(68J)
12	90386-38M32-00	BUSH	2	(68J)
13	68F-44551-00-8D	HOUSING, LOWER MOUNT RUBBER 1	1	(68J)
14	93410-37M04-00	CIRCLIP	1	(68J)
15	6E5-44575-00-00	DAMPER, LOWER MOUNT RUBBER	1	(68J)
16	6J9-44555-00-94	MOUNT DAMPER, LOWER SIDE	2	(68J)
17	90202-32M19-00	WASHER, PLATE	2	(68J)
18	90201-16M55-00	WASHER, PLATE	2	(68J)
19	6E5-82149-00-00	WIRE, LEAD 3	1	(68J)
20	90109-14MA5-00	BOLT	2	(68J)

CONTINUED ON NEXT FRAME >

# BRACKET 2



68F0010-0230

Ref No.	Part Number	Description	Qty	Remarks
21	90201-15M58-00	WASHER, PLATE	2	(68J)
22	90185-14M00-00	NUT, SELF-LOCKING	2	(68J)
23	92995-14600-00	WASHER	2	(68J)
24	68F-44552-00-8D	HOUSING, LOWER MOUNT RUBBER	2	(68J)
25	97095-10045-00	BOLT	4	(68J)
26	92995-10100-00	WASHER	4	(68J)
27	68F-44553-00-4D	COVER, LOWER MOUNT	1	(68J)
28	93210-41042-00	O-RING	1	(68J)
29	68F-44556-00-4D	COVER, LOWER MOUNT 2	1	(68J)
30	93210-41042-00	O-RING	1	(68J)
31	90119-06MA8-00	BOLT, WITH WASHER	2	(68J)
32	6J9-44514-00-94	MOUNT DAMPER, UPPER SIDE	2	(68J)
33	90201-26M57-00	WASHER, PLATE	2	(68J)
34	90202-26M18-00	WASHER, PLATE	2	(68J)
35	90201-14M56-00	WASHER, PLATE	2	(68J)
36	90109-12M37-00	BOLT	2	(68J)
37	90185-12M12-00	NUT, SELF-LOCKING	2	(68J)
38	663-44575-00-00	DAMPER, LOWER MOUNT RUBBER	2	(68J)
39	6E5-44511-00-5B	COVER, UPPER MOUNT	1	(68J)
40	97095-10045-00	BOLT	3	(68J)

CONTINUED ON NEXT FRAME >

# BRACKET 2

Ref No.	Part Number	Description	Qty	Remarks
41	92995-10100-00	WASHER	3	(68J)

