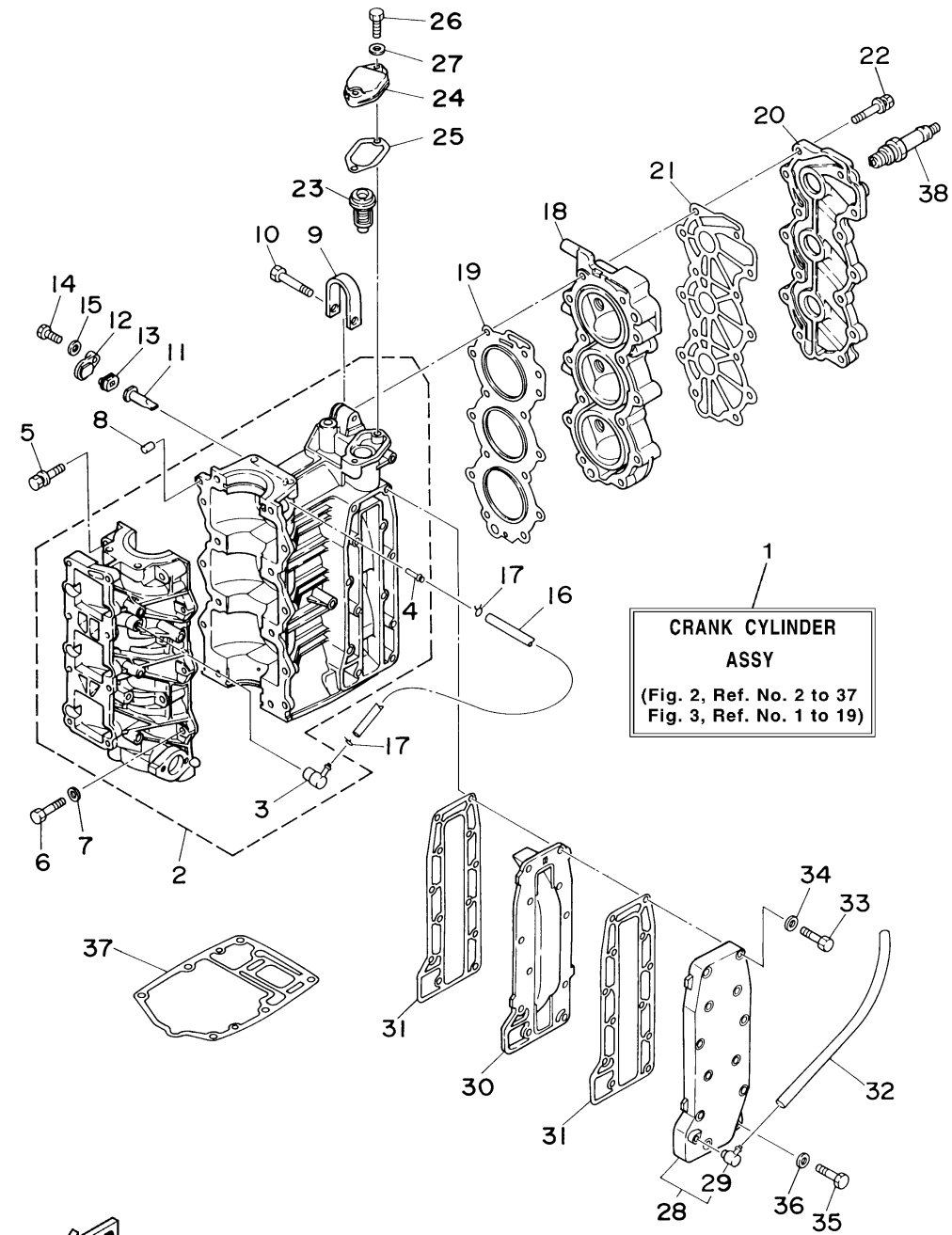


CYLINDER CRANKCASE

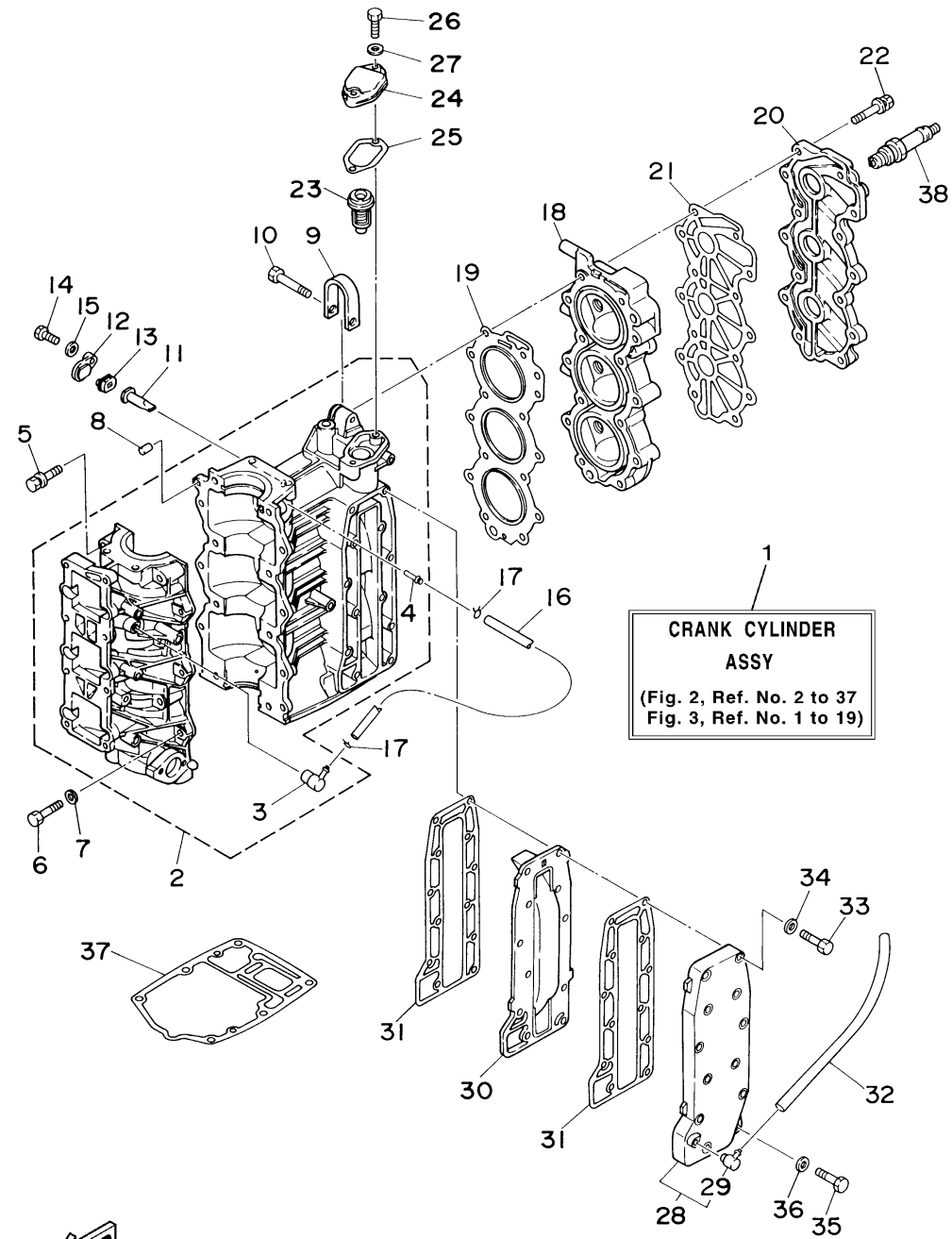


Ref No.	Part Number	Description	Qty	Remarks
1	6J8-W0090-42-4D	CRANK CYLINDER ASSY	1	UR
1	6J8-W0090-05-4D	CRANK CYLINDER ASSY	1	UR NON OIL INJECTION MODEL (M)
2	6J8-15100-01-94	CRANKCASE ASSY	1	UR NON OIL INJECTION MODEL (M)
2	6J8-15100-11-94	CRANKCASE ASSY	1	UR
3	650-11370-00-00	. CHECK VALVE ASSY	1	
4	624-14485-00-00	. .PIPE, JOINT	1	
5	90119-08M19-00	BOLT, WITH WASHER	8	
6	97013-06030-00	BOLT	6	
7	92903-06600-00	WASHER, PLATE	6	
8	93606-12019-00	PIN, DOWEL	2	
9	6F5-11119-00-00	HANGER, ENGINE	1	
10	97013-08035-00	BOLT	1	
11	6J8-11325-00-00	ANODE	2	
12	6H3-11327-00-94	COVER, ANODE	2	
13	6H3-11328-00-00	GROMMET, ANODE	2	
14	97013-06016-00	BOLT	2	
15	92903-06600-00	WASHER, PLATE	2	
16	90445-07M29-00	HOSE (L135)	1	
17	90467-06016-00	CLIP	2	
18	6J8-11111-00-94	HEAD, CYLINDER 1	1	

CONTINUED ON NEXT FRAME >


6J80100-4020

CYLINDER CRANKCASE



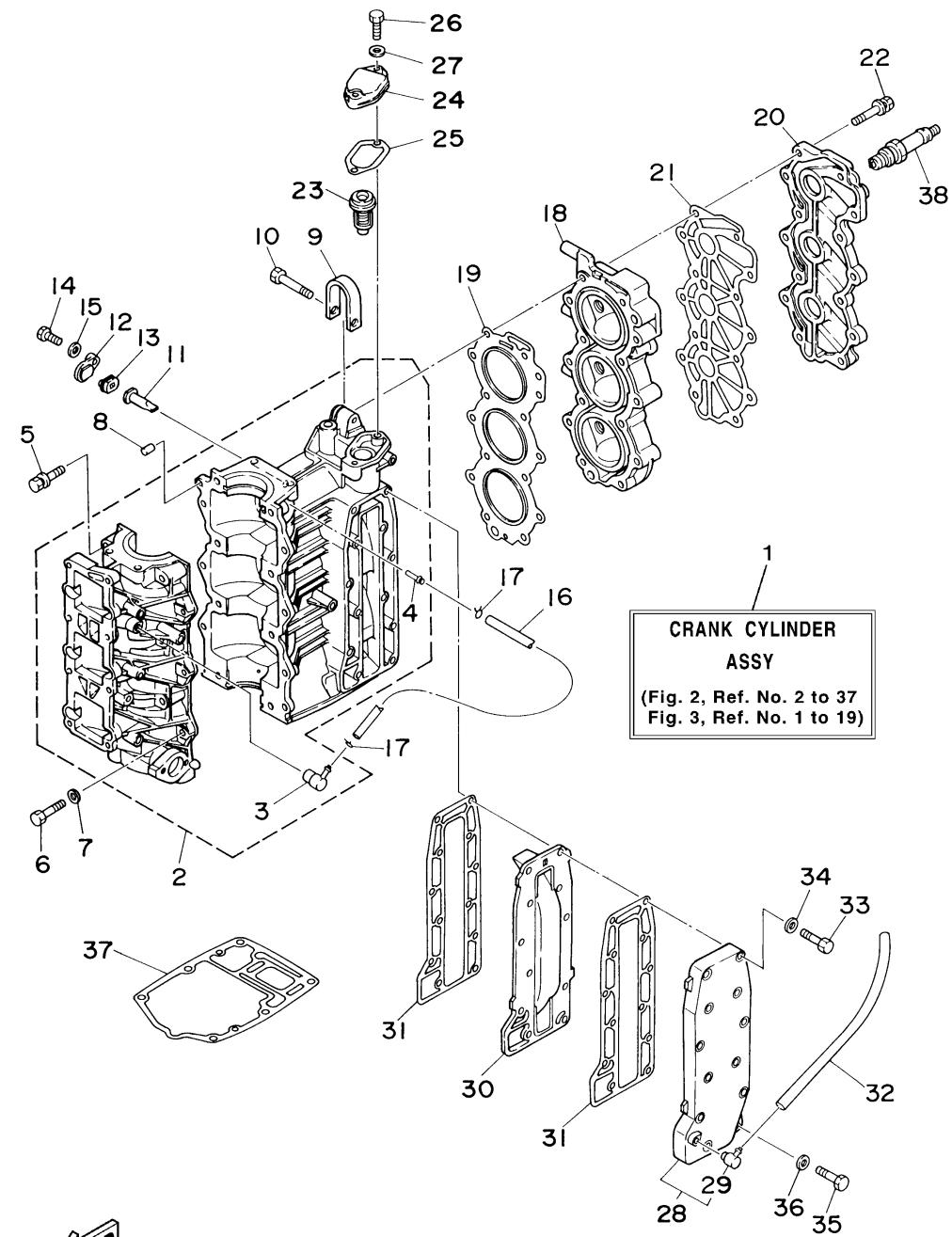
6J80100-4020

Ref No.	Part Number	Description	Qty	Remarks
19	6J8-11181-A1-00	.GASKET, CYLINDER HEAD 1	1	
20	6J8-11191-00-9M	COVER, CYLINDER HEAD 1	1	
21	6J8-11193-A1-00	.GASKET, HEAD COVER 1	1	
22	90119-08M21-00	BOLT, WITH WASHER	14	UR 30
22	90119-08M65-00	BOLT, WITH WASHER	14	UR 25 (M)
23	688-12411-10-00	THERMOSTAT	1	
24	6H4-12413-00-9M	COVER, THERMOSTAT	1	
25	6J8-12414-A0-00	GASKET, COVER	1	
26	97013-06025-00	BOLT	2	
27	92903-06600-00	WASHER, PLATE	2	
28	6J8-41113-00-9M	OUTER COVER, EXHAUST	1	
29	676-11372-00-00	. .NIPPLE, HOSE	1	
30	6J8-41111-00-9M	INNER COVER, EXHAUST	1	
31	6J8-41114-A0-00	.GASKET, EXHAUST OUTER COVER	2	
32	6J8-1111J-00-00	PIPE 1	1	
33	97013-06035-00	BOLT	11	
34	92903-06600-00	WASHER, PLATE	11	
35	97013-06025-00	BOLT	1	
36	92903-06600-00	WASHER, PLATE	1	
37	6J8-45113-A0-00	.GASKET, UPPER CASING	1	

CONTINUED ON NEXT FRAME >

CYLINDER CRANKCASE

Ref No.	Part Number	Description	Qty	Remarks
38	NGK-B7HS1-00-00	PLUG, SPARK (NGK B7HS-10)	3	



6J80100-4020