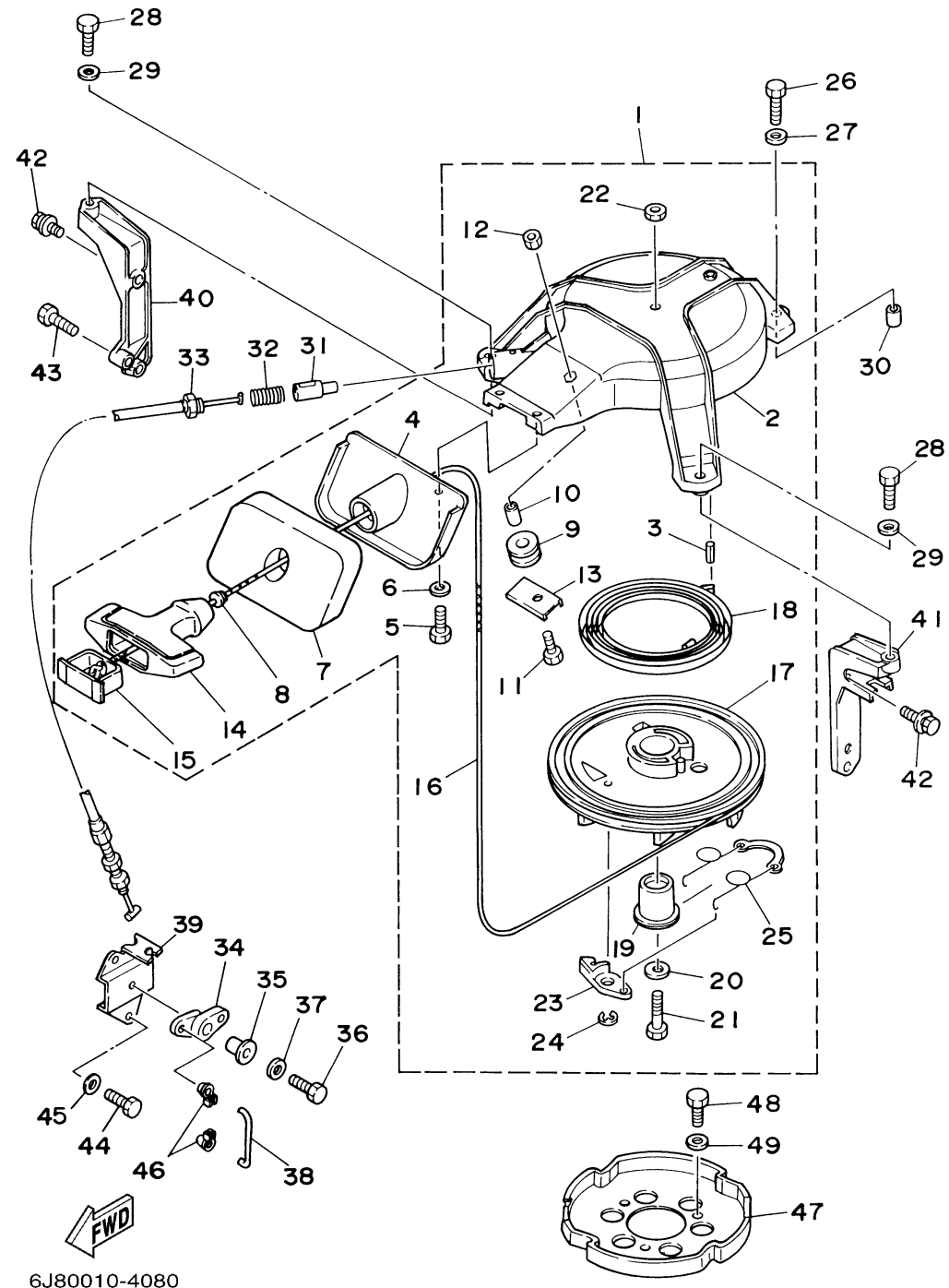


STARTER

Ref No.	Part Number	Description	Qty	Remarks
1	6J8-15710-02-4D	STARTER ASSY	1	MH (M)
2	6J8-15711-00-94	. .CASE, STARTER	1	(M)
3	91690-40014-00	. .PIN, SPRING	1	(M)
4	6J8-15758-01-94	. .GUIDE, ROPE	1	(M)
5	97095-06016-00	. BOLT	2	(M)
6	92995-06600-00	. WASHER	2	(M)
7	6J8-15762-00-00	. .SEAL, RUBBER 2	1	(M)
8	6A0-15789-00-00	. .DAMPER	1	(M)
9	6F5-15752-00-00	. .ROLLER, WIRE	1	(M)
10	6F5-15753-00-00	. .BUSH	1	(M)
11	97095-06025-00	. BOLT	1	(M)
12	95380-06600-00	. NUT, HEXAGON	1	(M)
13	6J8-15787-00-00	. .ADAPTOR	1	(M)
14	689-15755-01-00	. .HANDLE, STARTER	1	(M)
15	6F5-15779-02-00	. .COVER	1	(M)
16	90580-50M01-00	. ROPE, STARTER	1	(M)
17	6J8-15714-00-00	. .DRUM, SHEAVE	1	(M)
18	90510-08M04-00	. .SPRING, SPIRAL	1	(M)
19	677-15717-01-00	. .SHAFT, STARTER	1	(M)
20	90201-06060-00	. WASHER, PLATE	1	(M)

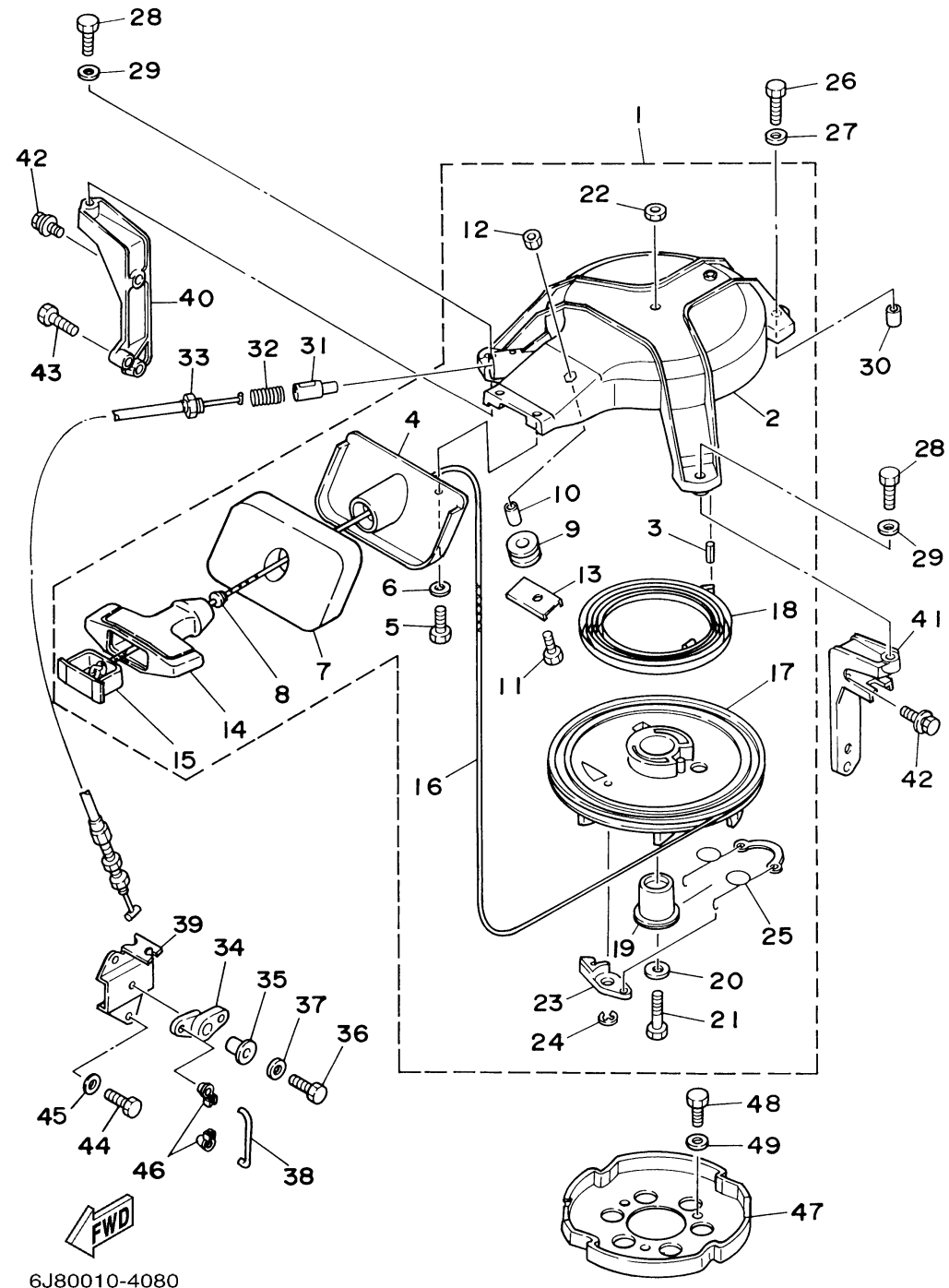
CONTINUED ON NEXT FRAME >



STARTER

Ref No.	Part Number	Description	Qty	Remarks
21	97095-06025-00	. .BOLT	1	(M)
22	95380-06700-00	. NUT	1	(M)
23	676-15741-03-00	. .PAWL, DRIVE	1	(M)
24	93430-06M02-00	. .CIRCLIP	1	(M)
25	6J8-15705-00-00	. .SPRING, DRIVE PAWL	1	(M)
26	97095-06035-00	BOLT	1	MH (M)
27	92995-06600-00	WASHER	1	MH (M)
28	97095-06025-00	.BOLT	2	MH (M)
29	92995-06600-00	WASHER	2	MH (M)
30	99530-10014-00	PIN, DOWEL	1	MH (M)
31	656-15748-00-00	PLUNGER, STARTER STOP	1	MH (M)
32	90501-10227-00	SPRING, COMPRESSION	1	MH (M)
33	6J8-15770-00-00	CABLE COMP., STARTER STOP	1	MH (M)
34	6J8-15746-01-00	ARM	1	MH (M)
35	90387-06M29-00	COLLAR	1	MH (M)
36	97095-06025-00	.BOLT	1	MH (M)
37	92995-06600-00	WASHER	1	MH (M)
38	6J8-15747-00-00	LINK	1	MH (M)
39	6J8-15774-00-00	STAY 4	1	MH (M)
40	6J8-15771-00-94	STAY 1	1	

CONTINUED ON NEXT FRAME >



STARTER

Ref No.	Part Number	Description	Qty	Remarks
41	6J8-15772-00-94	STAY 2	1	
42	97513-06520-00	BOLT, WITH WASHER	3	
43	97013-06020-00	BOLT	1	
44	97095-06016-00	BOLT	2	MH (M)
45	92995-06600-00	WASHER	2	MH (M)
46	661-41262-02-00	JOINT, CHOKE LEVER	2	MH (M)
47	6J8-15723-00-00	PULLEY, STARTER	1	MH (M)
48	97013-08014-00	BOLT	3	MH (M)
49	92903-08600-00	WASHER, PLATE	3	MH (M)

