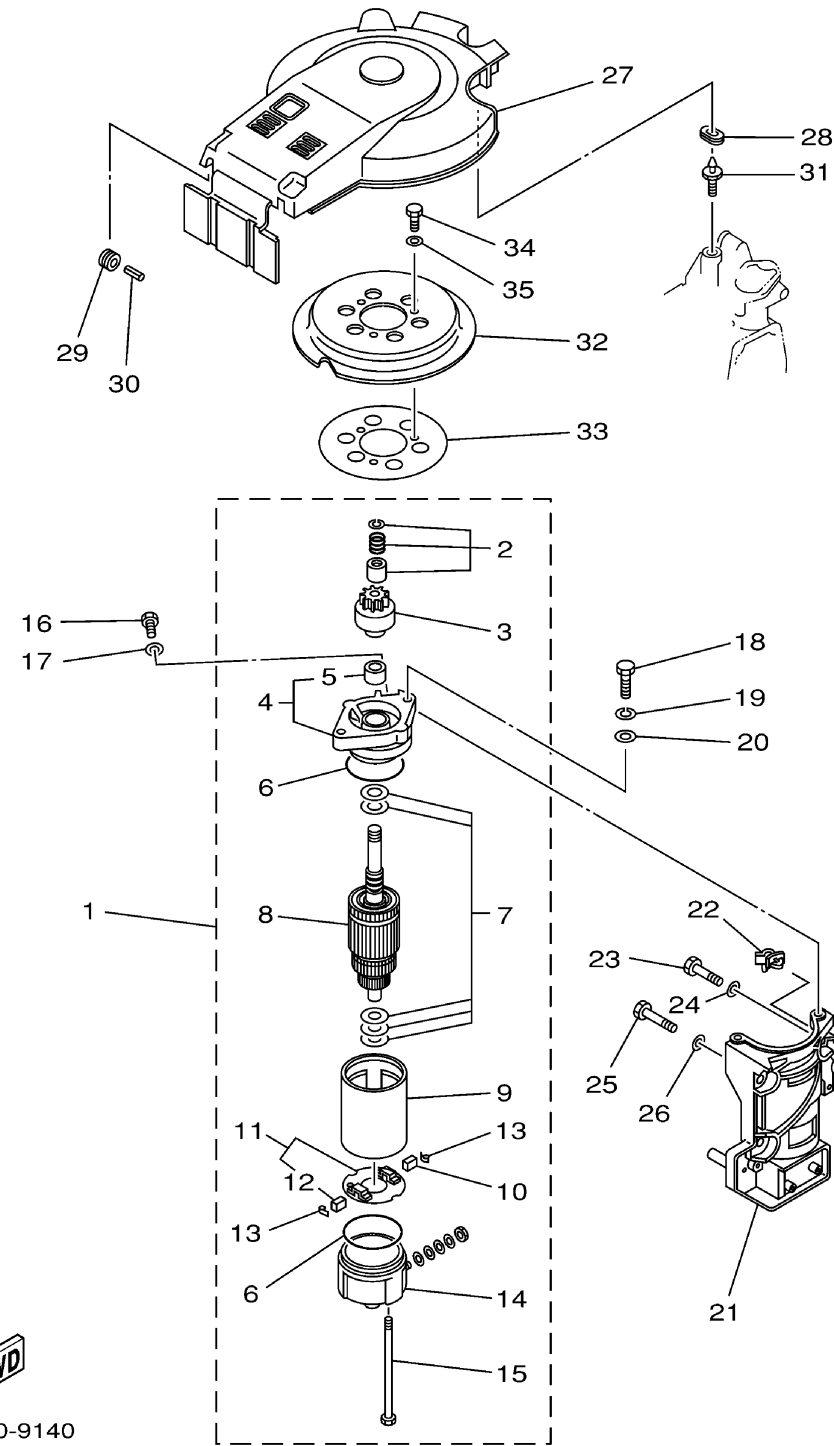


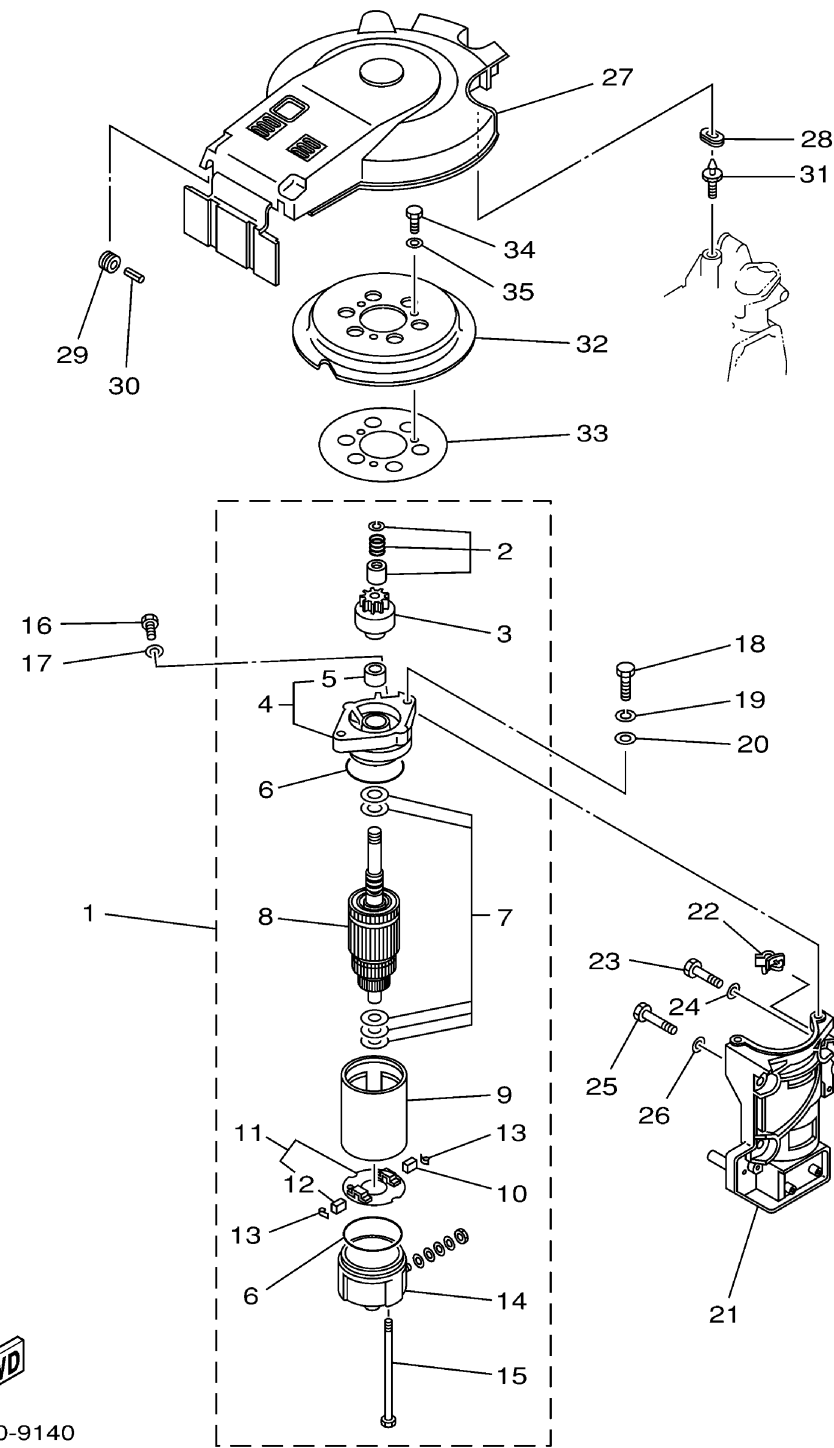
# STARTING MOTOR FOR ER EH



Ref No.	Part Number	Description	Qty	Remarks
1	6F5-81800-11-00	STARTING MOTOR ASSY	1	(E)
2	689-81857-11-00	. PINION STOPPER SET	1	(E)
3	689-81807-12-00	. GEAR ASSY, STARTING MOTOR	1	(E)
4	6F5-81830-11-00	. FRONT BRACKET ASSY	1	(E)
5	689-81831-00-00	. . METAL, FRONT	1	(E)
6	689-81847-11-00	. O-RING	2	(E)
7	689-81809-11-00	. WASHER KIT	1	(E)
8	689-81850-12-00	. ARMATURE ASSY	1	(E)
9	689-81810-11-00	. STATOR ASSY	1	(E)
10	689-81811-11-00	. BRUSH 1	1	(E)
11	689-81840-11-00	. BRUSH HOLDER ASSY	1	(E)
12	689-81812-11-00	. . BRUSH 2	1	(E)
13	689-81813-10-00	. SPRING, BRUSH	2	(E)
14	689-81820-11-00	. REAR BRACKET ASSEMBLY	1	(E)
15	689-81826-10-00	. BOLT	2	(E)
16	97013-08016-00	BOLT	1	(E)
17	92903-08600-00	WASHER, PLATE	1	(E)
18	97013-08030-00	BOLT	2	(E)
19	92903-08100-00	WASHER, SPRING	2	(E)
20	92903-08600-00	WASHER, PLATE	2	(E)

CONTINUED ON NEXT FRAME >

# STARTING MOTOR FOR ER EH



  
6J80010-9140

Ref No.	Part Number	Description	Qty	Remarks
21	6J8-81822-01-94	BRACKET, STARTING MOTOR	1	(E)
22	90464-03M15-00	.CLAMP	1	(E)
23	97013-08035-00	BOLT	2	(E)
24	92903-08600-00	WASHER, PLATE	2	(E)
25	97013-08055-00	BOLT	1	(E)
26	92903-08600-00	WASHER, PLATE	1	(E)
27	6J8-81337-10-00	COVER, FLYWHEEL	1	(E)
28	90480-14M17-00	GROMMET	1	(E)
29	90480-10M16-00	.GROMMET	2	(E)
30	91690-50022-00	PIN, SPRING	2	(E)
31	6J8-81338-00-00	STAY	1	(E)
32	6J8-15723-E1-00	PULLEY, STARTER	1	(E)
33	6J8-81365-A0-00	GASKET, HOLE COVER	1	(E)
34	97013-08014-00	BOLT	3	(E)
35	92903-08600-00	WASHER, PLATE	3	(E)