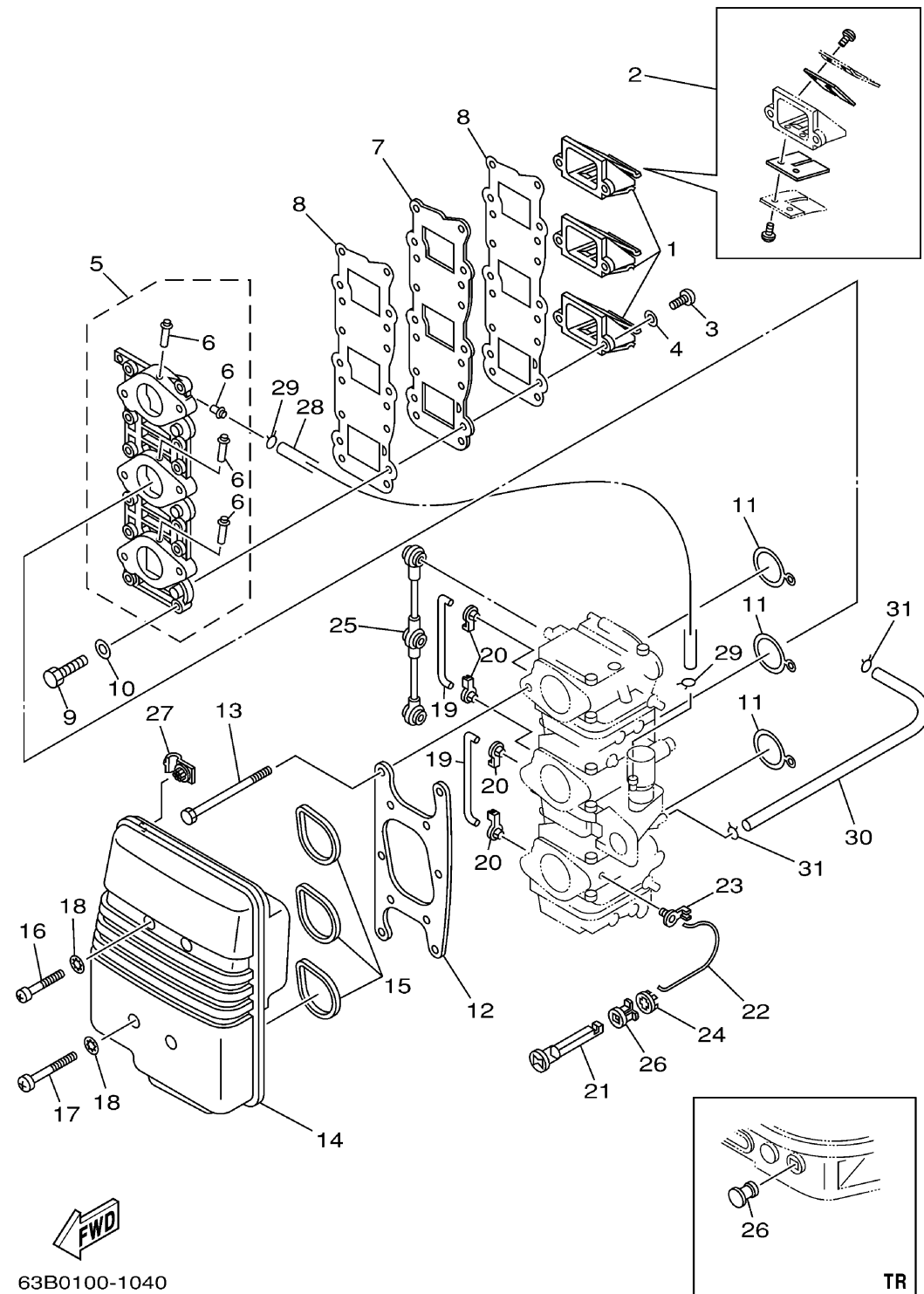


# INTAKE

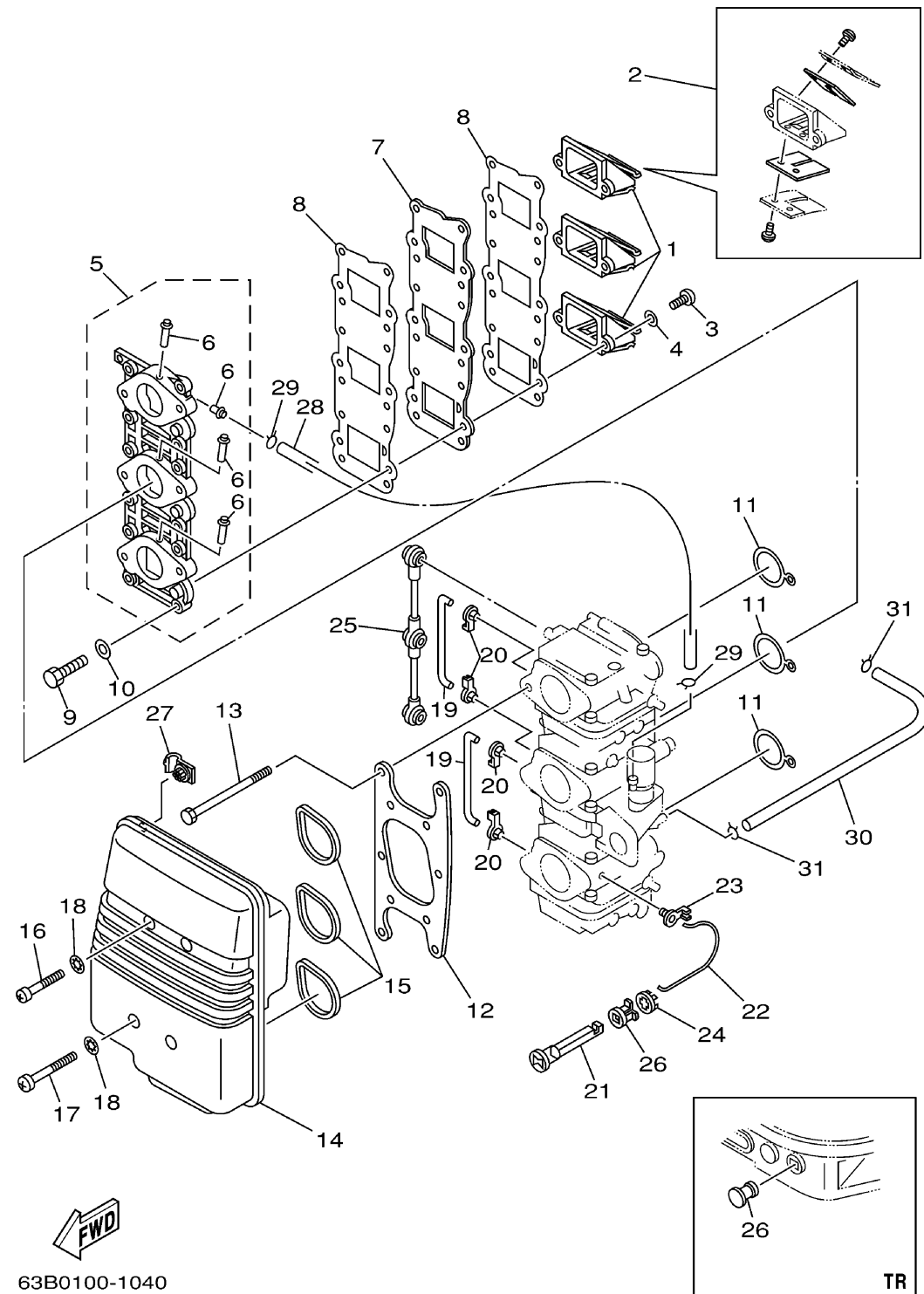


Ref No.	Part Number	Description	Qty	Remarks
1	6H5-13610-00-00	REED VALVE ASSY	3	
2	6H4-W0004-00-00	. .REED SET	1	
3	97880-05014-00	.SCREW, PAN HEAD	6	
4	92990-05600-00	WASHER, PLATE	6	
5	6H4-13641-12-94	MANIFOLD 1	1	UR 40TR, 50TR
5	6H4-13641-30-94	MANIFOLD 1	1	UR 40MH
6	6H1-14485-00-00	. . .PIPE, JOINT	4	UR 40TR, 50TR
6	6H1-14485-00-00	. .PIPE, JOINT	3	UR 40MH
7	6H4-13624-01-94	PLATE, REED VALVE	1	
8	6H4-13621-A1-00	GASKET, VALVE SEAT	2	
9	97013-06020-00	BOLT	12	
10	92903-06600-00	WASHER, PLATE	12	
11	6H4-14198-01-00	.GASKET	3	
12	6H4-14406-00-00	HINGE	1	
13	97095-06095-00	BOLT	6	
14	6H4-14431-02-00	SILENCER, INTAKE 1	1	UR 40TR, 50TR
14	6H4-14431-13-00	SILENCER, INTAKE 1	1	UR 40MH
15	6H3-14457-01-00	SEAL	3	
16	97885-06040-00	SCREW, PAN HEAD	2	
17	97885-06055-00	SCREW, PAN HEAD	2	

CONTINUED ON NEXT FRAME >

# INTAKE

Ref No.	Part Number	Description	Qty	Remarks
18	90209-06M05-00	WASHER	4	
19	6H4-41257-00-00	ROD, CHOKE 2	2	40MH
20	661-41262-02-00	JOINT, CHOKE LEVER	4	40MH
21	6H4-41271-01-00	KNOB, CHOKE	1	40MH
22	6H4-41259-01-00	ROD, CHOKE 3	1	40MH
23	6J8-41262-00-00	.JOINT, CHOKE LEVER	1	40MH
24	6J8-41274-00-00	GROMMET 2	1	40MH
25	6H4-41217-01-00	ROD, ACCEL. LEVER	1	
26	6G1-42748-00-00	GROMMET	1	UR 40TR, 50TR
26	689-41273-00-00	GROMMET	1	UR 40MH
27	90464-06M19-00	CLAMP	1	40MH
28	90445-07MA5-00	HOSE (L150)	1	40TR, 50TR
29	90467-06016-00	CLIP	2	40TR, 50TR
30	6H3-14349-00-00	..PIPE	1	40TR, 50TR
31	90467-08004-00	CLIP	2	40TR, 50TR



63B0100-1040

50tlrz\_40mlhz\_40tlrz

B1