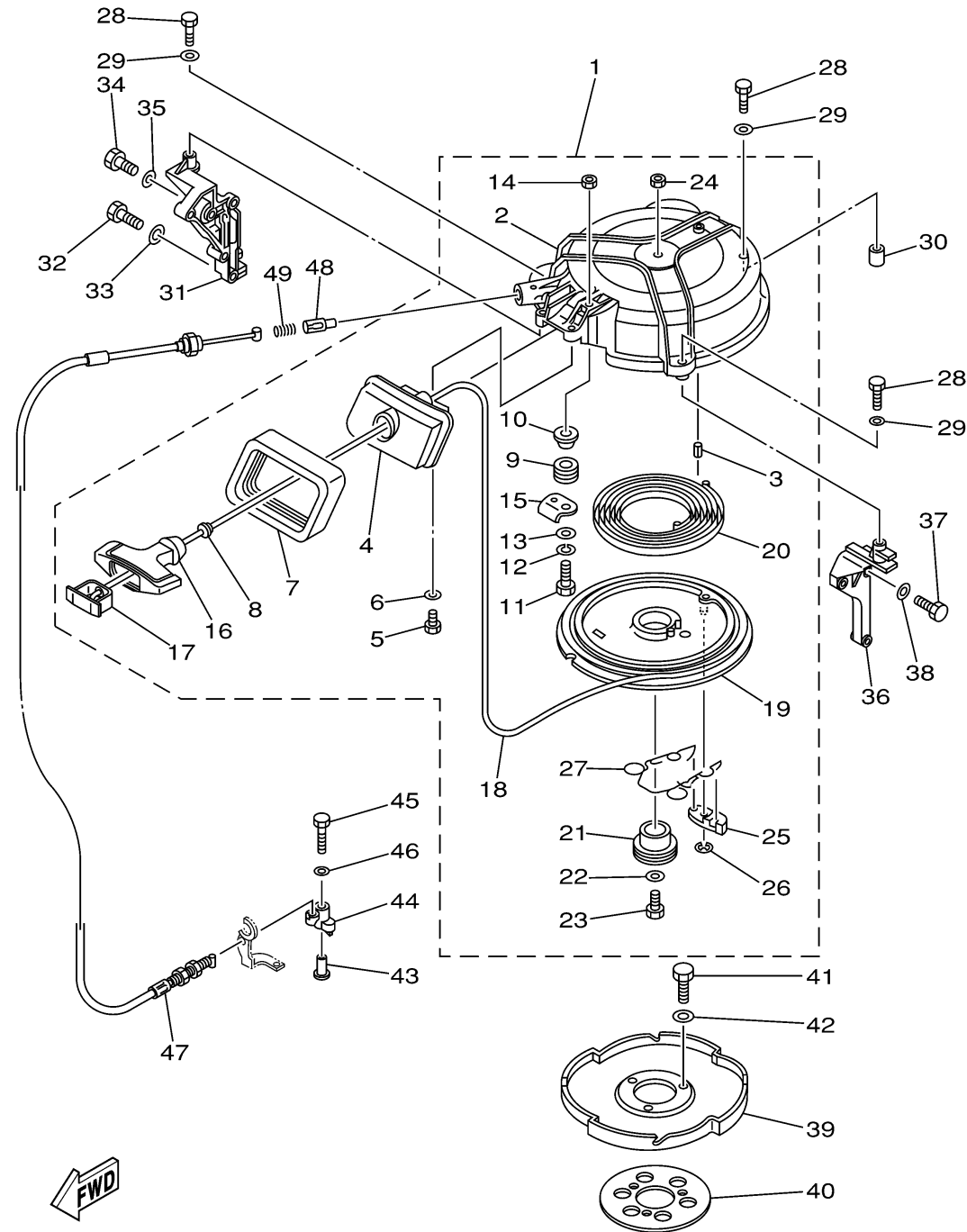


STARTER

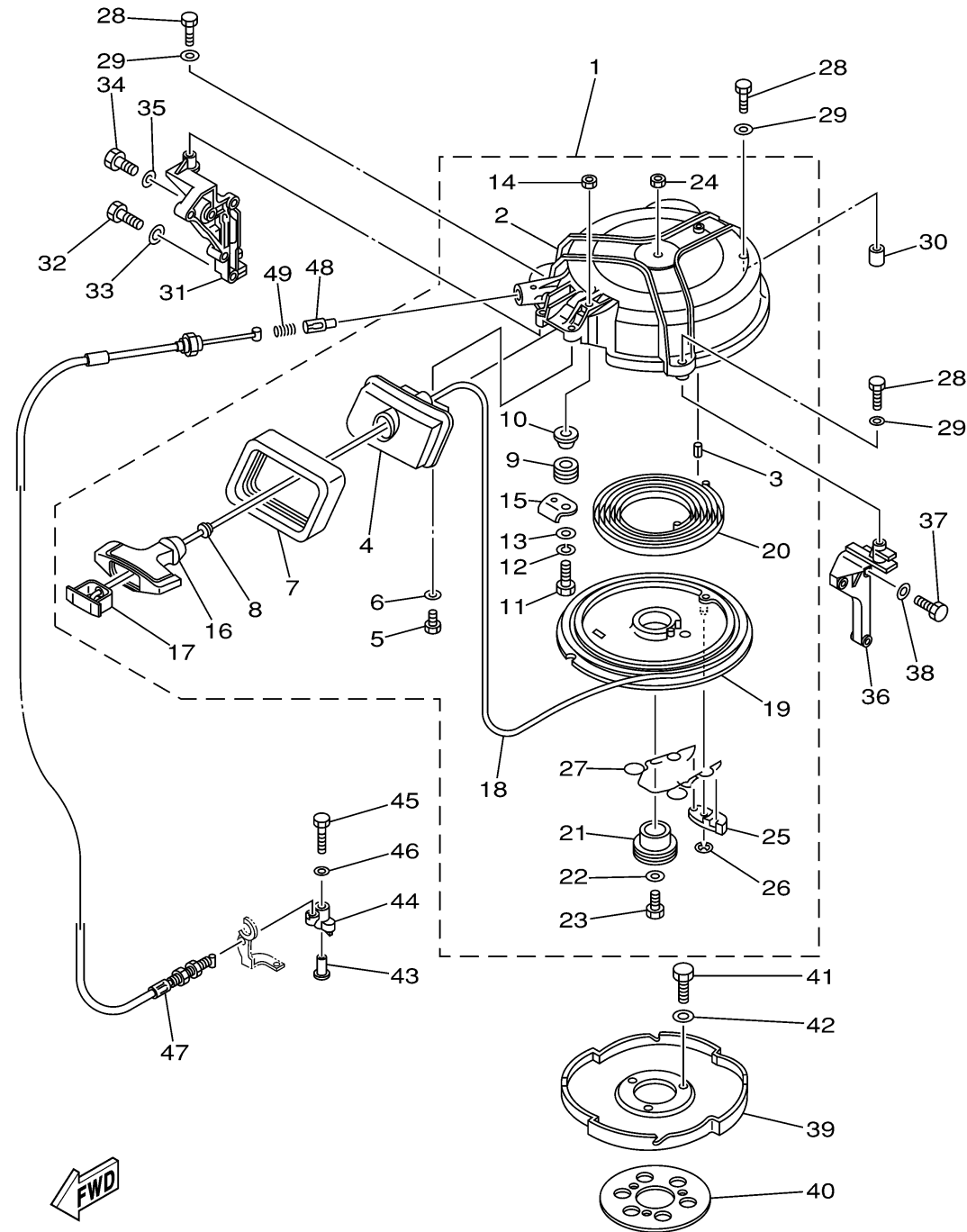


Ref No.	Part Number	Description	Qty	Remarks
1	6H4-15710-04-4D	STARTER ASSY	1	40MH
2	6H4-15711-02-94	..CASE, STARTER	1	
3	91690-40018-00	..PIN, SPRING	1	
4	6H4-15758-01-4D	..GUIDE, ROPE	1	
5	97095-06016-00	..BOLT	2	
6	92990-06600-00	..WASHER, PLATE	2	
7	6H4-15762-00-00	..SEAL, RUBBER 2	1	
8	6A0-15789-00-00	..DAMPER	1	
9	6F5-15752-00-00	..ROLLER, WIRE	1	
10	90387-06M69-00	..COLLAR	1	
11	97095-06030-00	..BOLT	1	
12	92995-06100-00	..WASHER, SPRING	1	
13	92990-06600-00	..WASHER, PLATE	1	
14	95380-06600-00	..NUT, HEXAGON	1	
15	6H4-15787-01-00	..STAY	1	
16	689-15755-01-00	..HANDLE, STARTER	1	
17	6F5-15779-02-00	..COVER	1	
18	90580-50M01-00	ROPE, STARTER	1	UNAVAILABLE - OBTAIN LOCALLY - CUT TO LENGTH
19	6H4-15714-00-00	..DRUM, SHEAVE	1	
20	90510-08002-00	..SPRING, SPIRAL	1	

CONTINUED ON NEXT FRAME >

 63D0010-0090

STARTER

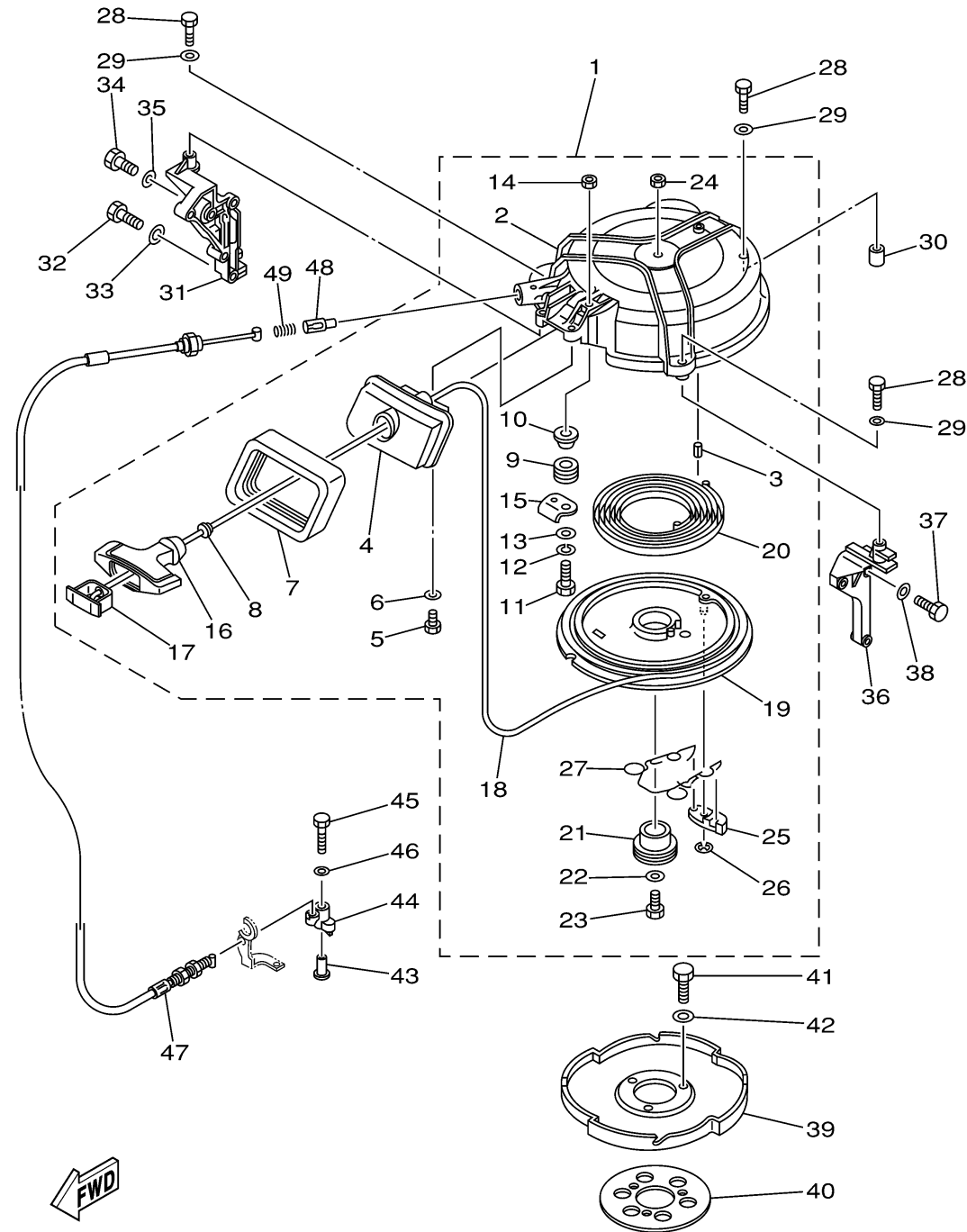


63D0010-0090

Ref No.	Part Number	Description	Qty	Remarks
21	6H4-15717-01-00	.SHAFT, STARTER	1	
22	90201-065F3-00	.WASHER, PLATE	1	
23	97095-06020-00	.BOLT	1	
24	95380-06600-00	.NUT, HEXAGON	1	
25	676-15741-03-00	.PAWL, DRIVE	1	
26	93430-06M02-00	.CIRCLIP	1	
27	6H4-15705-00-00	.SPRING, DRIVE PAWL	1	
28	97095-06035-00	BOLT	3	40MH
29	92995-06600-00	WASHER	3	40MH
30	99530-10014-00	PIN, DOWEL	1	40MH
31	63D-15771-00-4D	STAY 1	1	40MH
32	97013-08025-00	BOLT	2	40MH
33	92903-08600-00	WASHER, PLATE	2	40MH
34	97013-06020-00	BOLT	1	40MH
35	92903-06600-00	WASHER, PLATE	1	40MH
36	6H4-15772-02-94	STAY 2	1	40MH
37	97013-06025-00	BOLT	3	40MH
38	92903-06600-00	WASHER, PLATE	3	40MH
39	6H4-15723-01-94	PULLEY, STARTER	1	40MH
40	6J8-81365-A0-00	GASKET, HOLE COVER	1	40MH

CONTINUED ON NEXT FRAME >

STARTER



63D0010-0090

Ref No.	Part Number	Description	Qty	Remarks
41	97013-08020-00	BOLT	3	40MH
42	92903-08600-00	WASHER, PLATE	3	40MH
43	90387-06M66-00	COLLAR	1	40MH
44	63D-15746-00-00	ARM	1	40MH
45	97095-06040-00	.BOLT	1	40MH
46	92995-06600-00	WASHER	1	40MH
47	63D-15770-00-00	CABLE COMP., STARTER STOP	1	40MH
48	656-15748-00-00	PLUNGER, STARTER STOP	1	40MH
49	90501-10227-00	SPRING, COMPRESSION	1	40MH