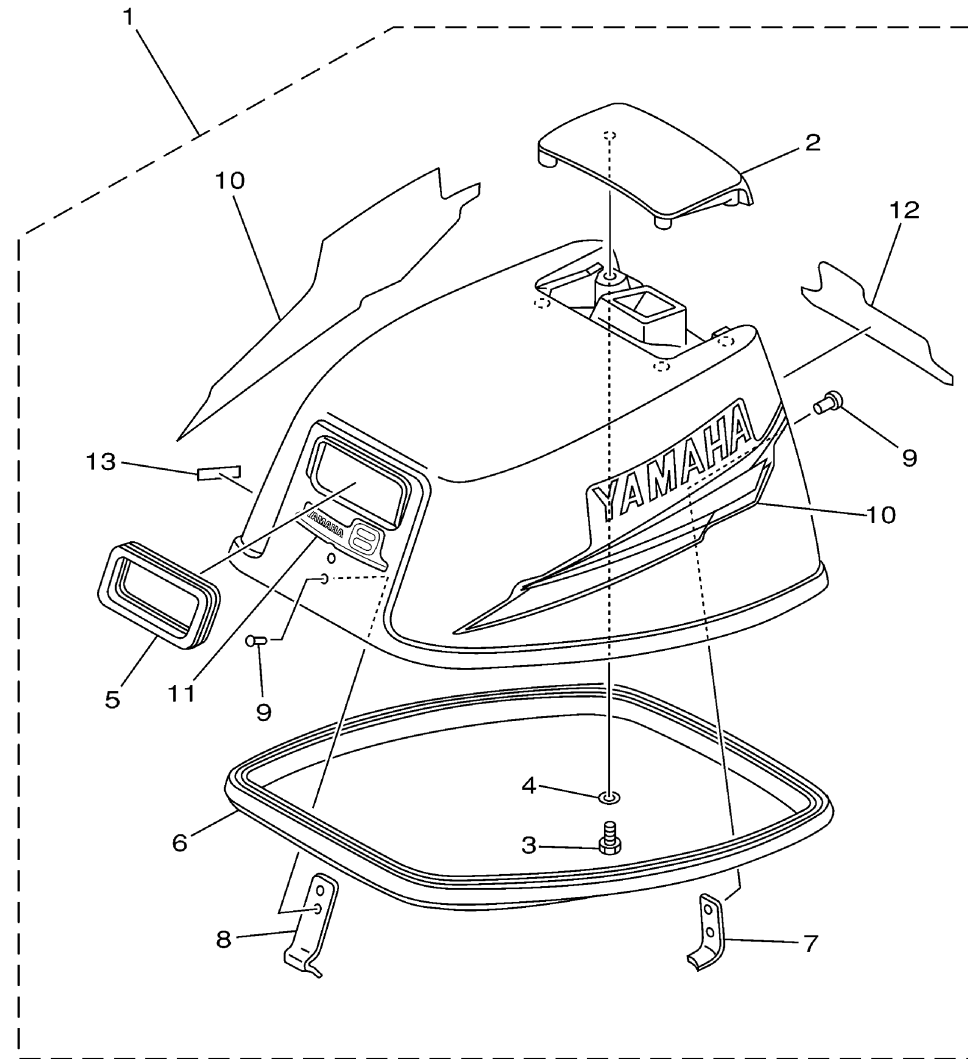


TOP COWLING

Ref No.	Part Number	Description	Qty	Remarks
1	6N0-G2610-11-4D	TOP COWLING ASSY	1	(8MH)
2	6N0-G2613-00-4D	. MOLDING, AIR DUCT	1	(8MH)
3	97095-06016-00	. BOLT	4	(8MH)
4	92995-06600-00	. WASHER	4	(8MH)
5	6G1-15761-00-00	. SEAL, RUBBER 1	1	(8MH)
6	6N0-G2615-00-00	. SEAL	1	(8MH)
7	6G1-42647-00-00	. HOLDER, CLAMP BAND	1	(8MH)
8	6N0-G2651-00-00	. HOOK	1	(8MH)
9	90266-04M00-00	. RIVET	4	(8MH)
10	6G1-W0070-14-00	. GRAPHIC SET	1	(8MH)
11	6N0-G2677-11-00	. GRAPHIC, FRONT	1	(8MH)
12	6N0-G2678-11-00	. GRAPHIC, REAR	1	(8MH)
13	6E0-44191-11-00	. INDICATOR, SHIFT	1	(8MH)



6N00110-1010