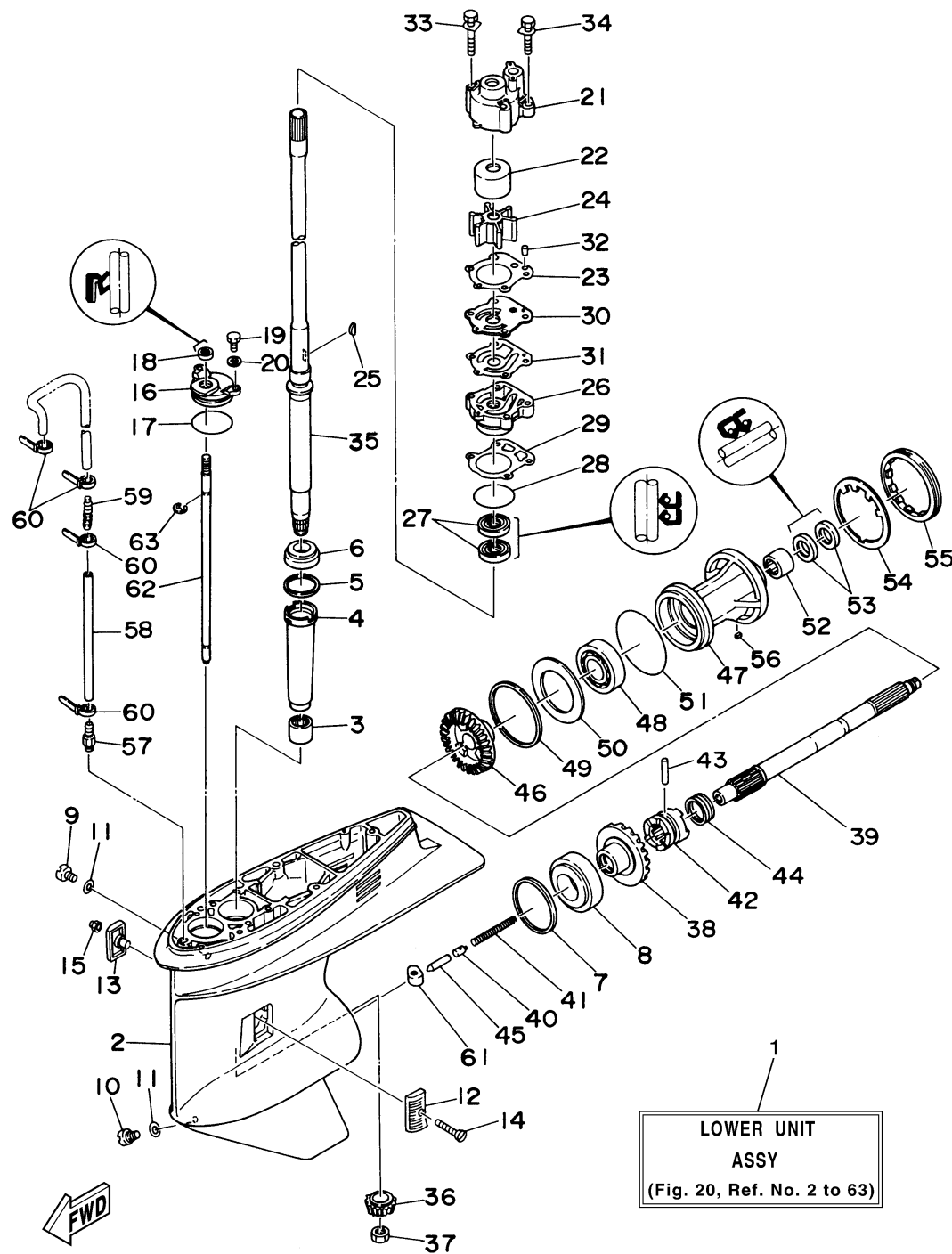


LOWER CASING DRIVE 1 C90TLRZ

| Ref No. | Part Number | Description | Qty | Remarks |
|---------|-----------------|---------------------|-----|----------|
| 1 | 6H1-45300-A3-4D | LOWER UNIT ASSY | 1 | (C90) |
| 2 | 6H1-45301-12-4D | CASING, LOWER | 1 | (C90) |
| 3 | 93315-325V1-00 | BEARING | 1 | (C90) |
| 4 | 688-45536-01-00 | SLEEVE, DRIVE SHAFT | 1 | (C90) |
| 5 | 688-45587-01-15 | SHIM (T:0.15MM) | 1 | UR (C90) |
| 5 | 688-45587-01-10 | SHIM (T:0.10MM) | 1 | UR (C90) |
| 5 | 688-45587-01-50 | SHIM (T:0.50MM) | 1 | UR (C90) |
| 5 | 688-45587-01-30 | SHIM (T:0.30MM) | 1 | UR (C90) |
| 5 | 688-45587-01-12 | SHIM (T:0.12MM) | 1 | UR (C90) |
| 5 | 688-45587-01-18 | SHIM (T:0.18MM) | 1 | UR (C90) |
| 5 | 688-45587-01-40 | SHIM (T:0.40MM) | 1 | UR (C90) |
| 6 | 93332-000U3-00 | BEARING | 1 | (C90) |
| 7 | 688-45567-01-30 | SHIM (T:0.30MM) | 1 | UR (C90) |
| 7 | 688-45567-01-50 | SHIM (T:0.50MM) | 1 | UR (C90) |
| 7 | 688-45567-01-12 | SHIM (T:0.12MM) | 1 | UR (C90) |
| 7 | 688-45567-01-10 | SHIM (T:0.10MM) | 1 | UR (C90) |
| 7 | 688-45567-01-15 | SHIM (T:0.15MM) | 1 | UR (C90) |
| 7 | 688-45567-01-18 | SHIM (T:0.18MM) | 1 | UR (C90) |
| 7 | 688-45567-01-40 | SHIM (T:0.40MM) | 1 | UR (C90) |
| 8 | 93332-000W7-00 | BEARING | 1 | (C90) |

CONTINUED ON NEXT FRAME >

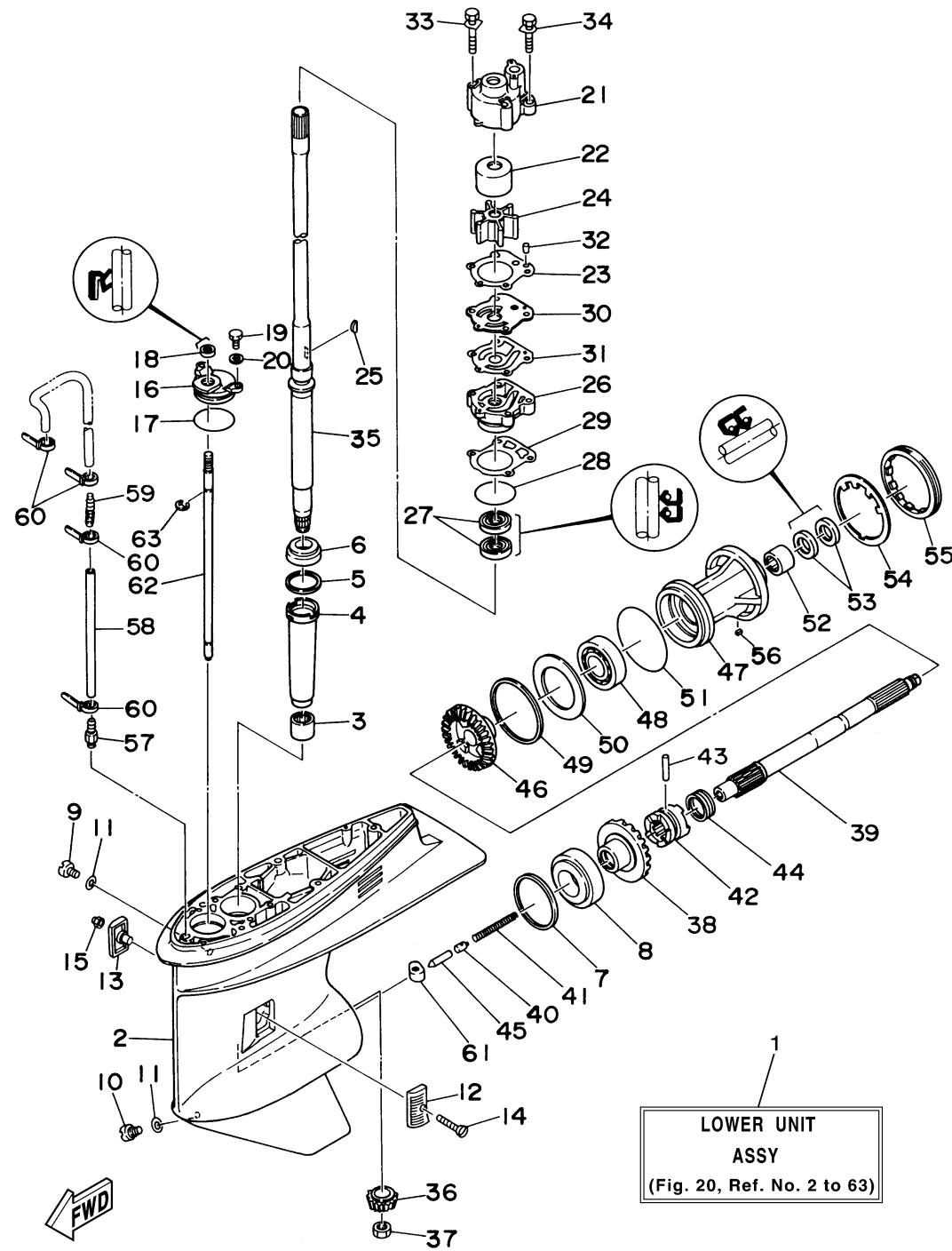


6H10110-4200

LOWER CASING DRIVE 1 C90TLRZ

| Ref No. | Part Number | Description | Qty | Remarks |
|---------|-----------------|----------------------|-----|---------|
| 9 | 90340-08M04-00 | PLUG, STRAIGHT SCREW | 1 | (C90) |
| 10 | 688-45341-00-00 | PLUG, DRAIN | 1 | (C90) |
| 11 | 90430-08020-00 | .GASKET | 2 | (C90) |
| 12 | 6H1-45214-00-00 | COVER, WATER INLET 1 | 1 | (C90) |
| 13 | 6H1-45215-00-00 | COVER, WATER INLET 2 | 1 | (C90) |
| 14 | 90151-05M00-00 | SCREW, COUNTERSUNK | 1 | (C90) |
| 15 | 90185-05002-00 | NUT, NYLON | 1 | (C90) |
| 16 | 688-45321-00-00 | PLATE | 1 | (C90) |
| 17 | 93210-49046-00 | O-RING | 1 | (C90) |
| 18 | 93106-09014-00 | .OIL SEAL | 1 | (C90) |
| 19 | 97095-06016-00 | BOLT | 2 | (C90) |
| 20 | 92995-06600-00 | WASHER | 2 | (C90) |
| 21 | 688-44311-01-00 | HOUSING, WATER PUMP | 1 | (C90) |
| 22 | 688-44322-00-00 | INSERT, CARTRIDGE | 1 | (C90) |
| 23 | 688-44315-A0-00 | .GASKET, WATER PUMP | 1 | (C90) |
| 24 | 688-44352-03-00 | IMPELLER | 1 | (C90) |
| 25 | 90280-04M04-00 | .KEY, WOODRUFF | 1 | (C90) |
| 26 | 688-44341-01-94 | HOUSING, WATER PUMP | 1 | (C90) |
| 27 | 93101-25M03-00 | .OIL SEAL | 2 | (C90) |
| 28 | 93210-46044-00 | .O-RING | 1 | (C90) |

CONTINUED ON NEXT FRAME >

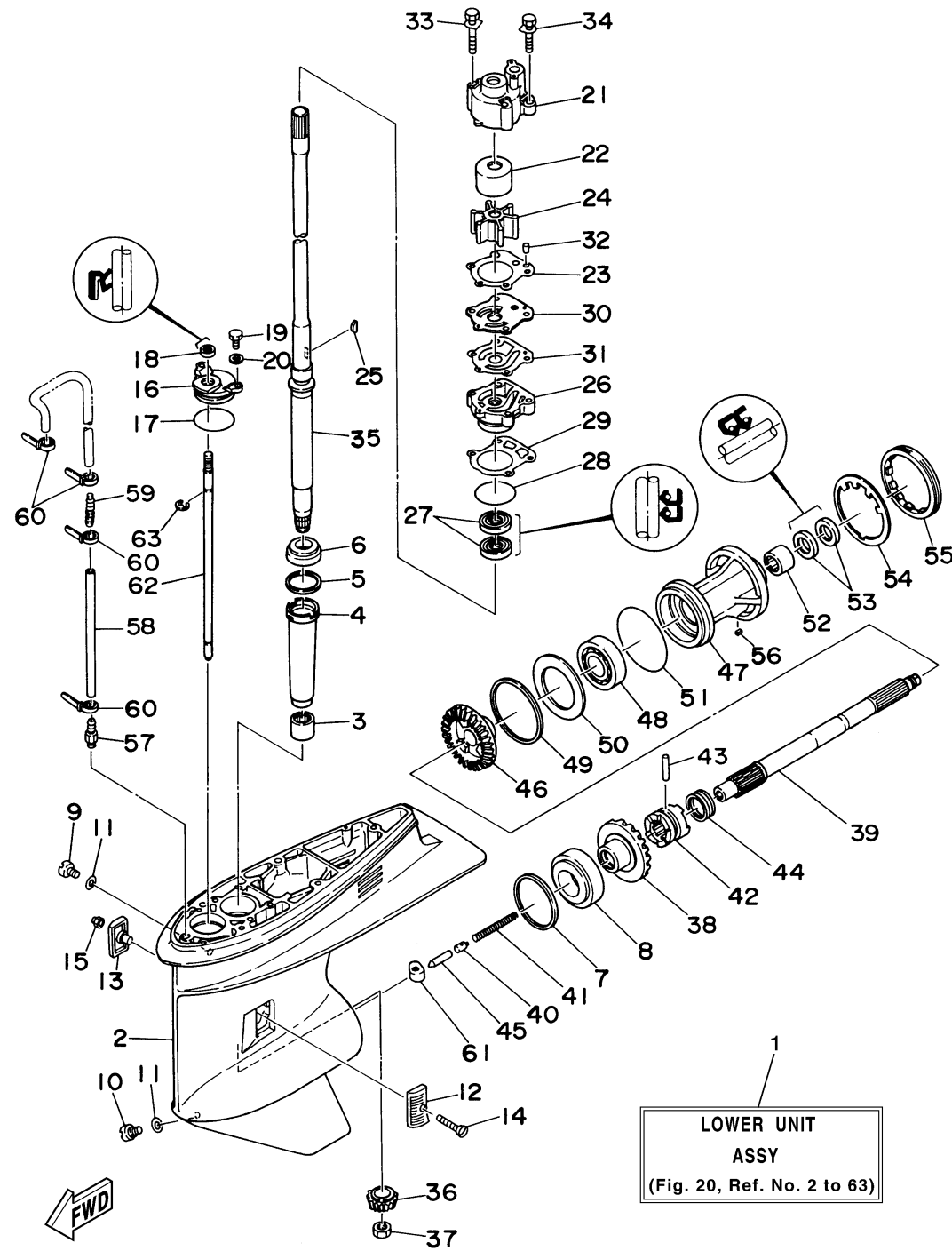


6H10110-4200

LOWER CASING DRIVE 1 C90TLRZ

| Ref No. | Part Number | Description | Qty | Remarks |
|---------|-----------------|------------------------|-----|---------|
| 29 | 688-44316-A0-00 | .GASKET, WATER PUMP | 1 | (C90) |
| 30 | 688-44323-00-00 | OUTER PLATE, CARTRIDGE | 1 | (C90) |
| 31 | 688-44324-A0-00 | .GASKET, CARTRIDGE | 1 | (C90) |
| 32 | 93604-10M03-00 | .PIN, DOWEL | 2 | (C90) |
| 33 | 90119-08M16-00 | .BOLT, WITH WASHER | 2 | (C90) |
| 34 | 90119-08M13-00 | .BOLT, WITH WASHER | 2 | (C90) |
| 35 | 6H1-45501-11-00 | DRIVE SHAFT COMP. | 1 | L (C90) |
| 36 | 688-45551-01-00 | PINION (13T) | 1 | (C90) |
| 37 | 90170-16M01-00 | NUT | 1 | (C90) |
| 38 | 688-45560-00-00 | GEAR 1 (26T) | 1 | (C90) |
| 39 | 688-45611-00-00 | SHAFT, PROPELLER | 1 | (C90) |
| 40 | 688-45634-00-00 | SLIDE, SHIFT | 1 | (C90) |
| 41 | 90501-16233-00 | SPRING, COMPRESSION | 1 | (C90) |
| 42 | 688-45631-01-00 | CLUTCH, DOG | 1 | (C90) |
| 43 | 90250-07M02-00 | PIN, STRAIGHT | 1 | (C90) |
| 44 | 688-45633-00-00 | RING, CROSS PIN | 1 | (C90) |
| 45 | 688-45635-00-00 | PLUNGER, SHIFT | 1 | (C90) |
| 46 | 688-45571-01-00 | GEAR | 1 | (C90) |
| 47 | 688-45331-00-94 | HOUSING, BEARING | 1 | (C90) |
| 48 | 93306-207U0-00 | .BEARING | 1 | (C90) |

CONTINUED ON NEXT FRAME >

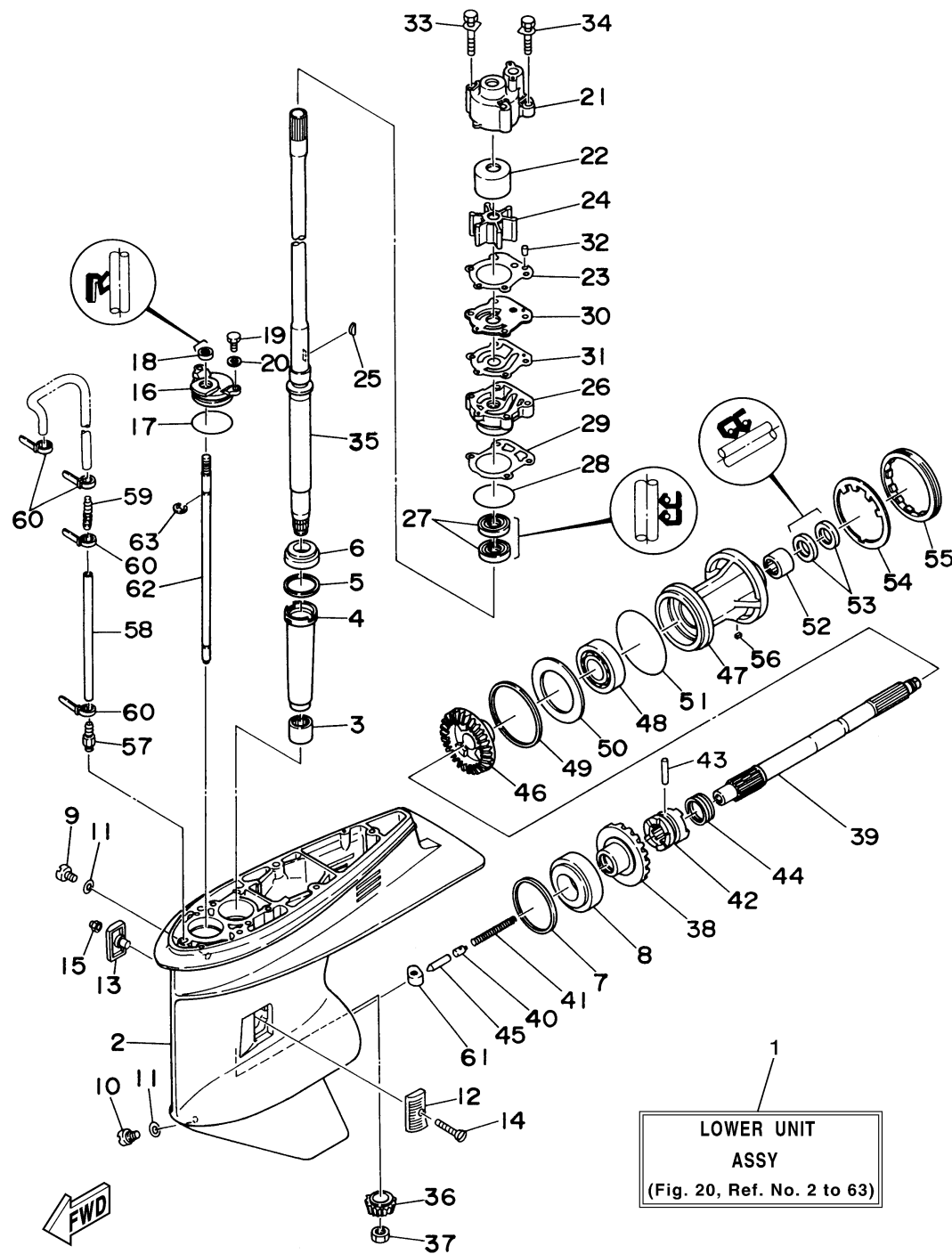


6H10110-4200

LOWER CASING DRIVE 1 C90TLRZ

| Ref No. | Part Number | Description | Qty | Remarks |
|---------|-----------------|-----------------|-----|----------|
| 49 | 688-45577-01-15 | SHIM (T:0.15MM) | 1 | UR (C90) |
| 49 | 688-45577-01-10 | SHIM (T:0.10MM) | 1 | UR (C90) |
| 49 | 688-45577-01-50 | SHIM (T:0.50MM) | 1 | UR (C90) |
| 49 | 688-45577-01-30 | SHIM (T:0.30MM) | 1 | UR (C90) |
| 49 | 688-45577-01-12 | SHIM (T:0.12MM) | 1 | UR (C90) |
| 49 | 688-45577-01-18 | SHIM (T:0.18MM) | 1 | UR (C90) |
| 49 | 688-45577-01-40 | SHIM (T:0.40MM) | 1 | UR (C90) |
| 50 | 688-45576-00-00 | WASHER, THRUST | 1 | (C90) |
| 51 | 93210-85M97-00 | O-RING | 1 | (C90) |
| 52 | 93317-325U0-00 | BEARING | 1 | (C90) |
| 53 | 93101-25M03-00 | .OIL SEAL | 2 | (C90) |
| 54 | 688-45383-02-00 | WASHER, CLAW | 1 | (C90) |
| 55 | 688-45384-00-00 | NUT | 1 | (C90) |
| 56 | 90282-04010-00 | KEY, STRAIGHT | 1 | (C90) |
| 57 | 6E5-45378-00-00 | NIPPLE, HOSE | 1 | (C90) |
| 58 | 90445-07ME9-00 | HOSE (L120) | 1 | L (C90) |
| 59 | 6E5-83558-10-00 | END, NIPPLE | 1 | (C90) |
| 60 | 90465-11M10-00 | CLAMP | 4 | (C90) |
| 61 | 663-44151-00-00 | CAM, SHIFT | 1 | (C90) |
| 62 | 663-44144-01-00 | ROD, SHIFT | 1 | (C90) |

CONTINUED ON NEXT FRAME >



6H10110-4200

LOWER CASING DRIVE 1 C90TLRZ

| Ref No. | Part Number | Description | Qty | Remarks |
|---------|----------------|-------------|-----|---------|
| 63 | 93430-08006-00 | CIRCLIP | 1 | (C90) |

