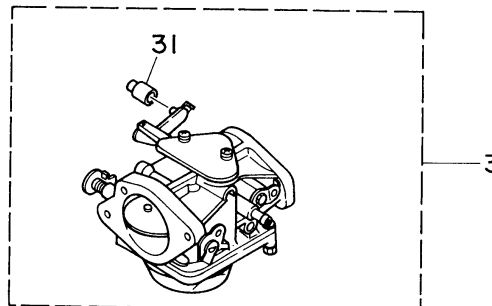
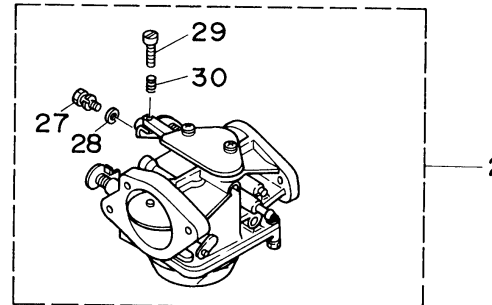
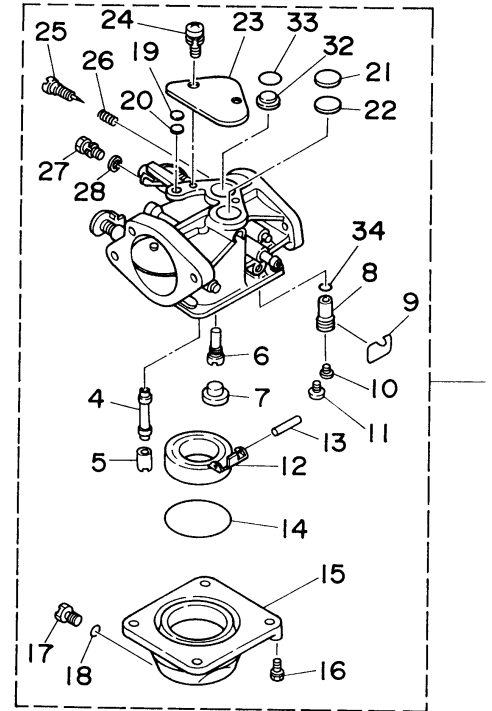
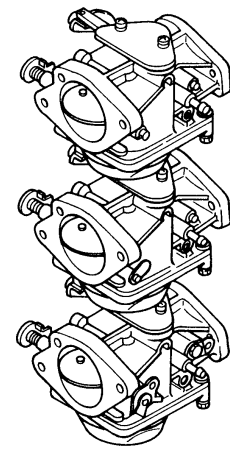


# CARBURETOR 1 C60TLRZ

Ref No.	Part Number	Description	Qty	Remarks
1	6H2-14301-10-00	CARBURETOR ASSY 1	1	(C60)
2	6H2-14302-10-00	CARBURETOR ASSY 2	1	(C60)
3	6H2-14303-10-00	CARBURETOR ASSY 3	1	(C60)
4	6H3-14947-07-00	. JET, NEEDLE	3	(C60)
5	676-14943-36-00	. JET, MAIN (145)	1	UR 3 (C60)
5	676-14943-35-00	. JET, MAIN (140)	2	UR 1, 2 (C60)
6	6H3-14948-16-00	. JET (72)	3	(C60)
7	676-14966-00-00	. CAP	3	(C60)
8	6H3-14590-00-00	. NEEDLE VALVE ASSEMBLY	3	(C60)
9	663-14159-00-00	. CLIP	3	(C60)
10	676-14186-00-00	. PIN, FLOAT	3	(C60)
11	98502-04008-00	. SCREW, PAN HEAD	3	(C60)
12	6G1-14985-00-00	. FLOAT	3	(C60)
13	688-14548-00-00	. PIN, FLOAT ARM	3	(C60)
14	6G1-14984-00-00	. O-RING	3	(C60)
15	6H2-14980-00-00	. BODY, FLOAT CHAMBER	3	(C60)
16	97980-04114-00	. SCREW, WITH WASHER	12	(C60)
17	6H3-14992-00-00	. SCREW, DRAIN	3	(C60)
18	93210-04230-00	. O-RING	3	(C60)
19	663-14126-00-00	. GASKET	3	(C60)

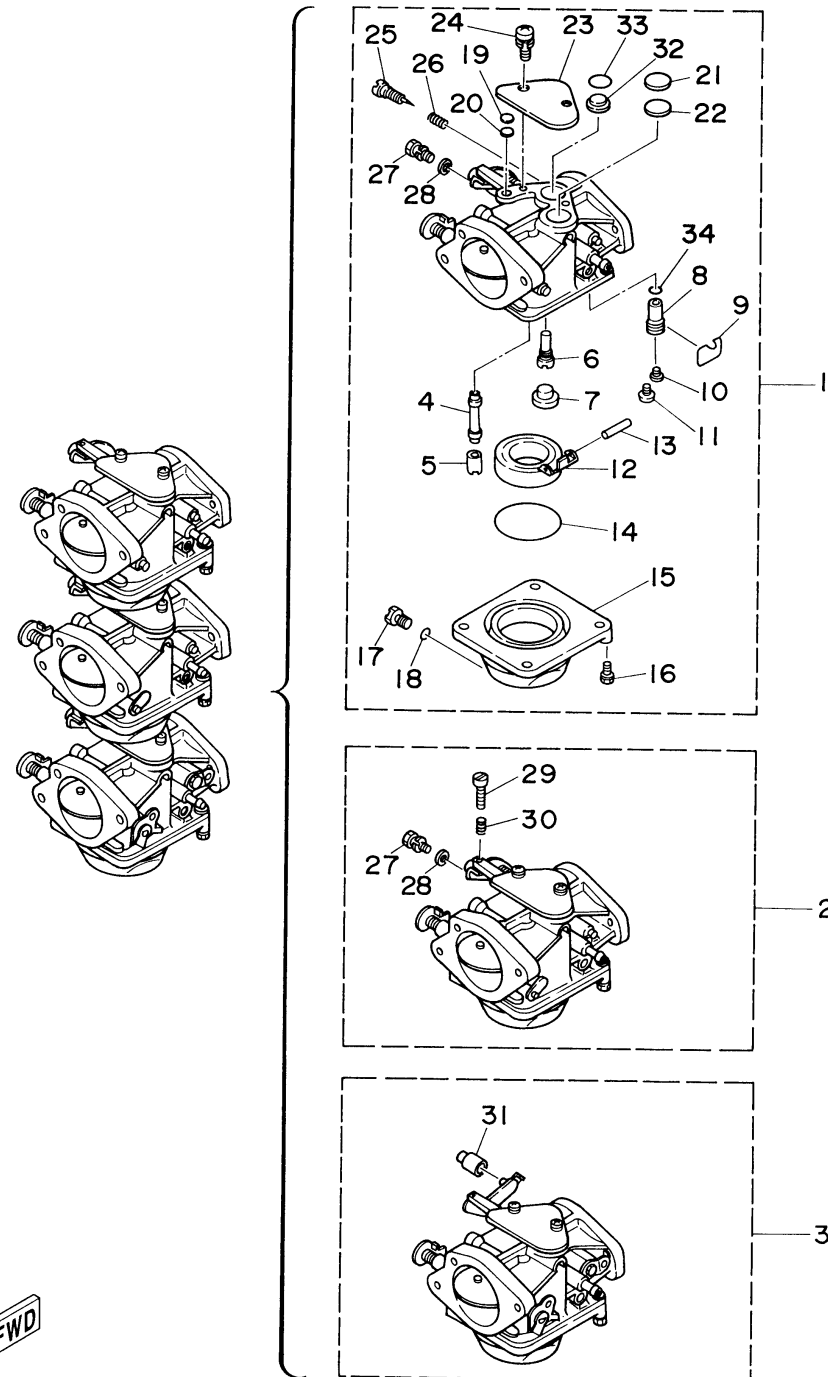
CONTINUED ON NEXT FRAME >



6H20010-6050

# CARBURETOR 1 C60TLRZ

Ref No.	Part Number	Description	Qty	Remarks
20	663-14527-00-00	. PLATE	3	(C60)
21	688-14126-00-00	. GASKET	3	(C60)
22	688-14527-00-00	. PLATE	3	(C60)
23	6H2-14527-01-00	. PLATE	3	(C60)
24	97980-05310-00	. SCREW, WITH WASHER	6	(C60)
25	692-14923-00-00	. SCREW, PILOT	3	(C60)
26	679-14555-00-00	. .SPRING	3	(C60)
27	6K5-14592-00-00	. SCREW	2	1, 2 (C60)
28	90201-05652-00	. .WASHER, PLATE	2	1, 2 (C60)
29	63V-14523-00-00	. .SCREW, STOP	1	2 (C60)
30	90501-10326-00	. .SPRING, COMPRESSION	1	2 (C60)
31	6H3-17578-00-00	. COLLAR	1	3 (C60)
32	6H3-14578-00-00	. PLATE	3	(C60)
33	93210-15M52-00	. O-RING	3	(C60)
34	93210-04228-00	. O-RING	3	(C60)



6H20010-6050