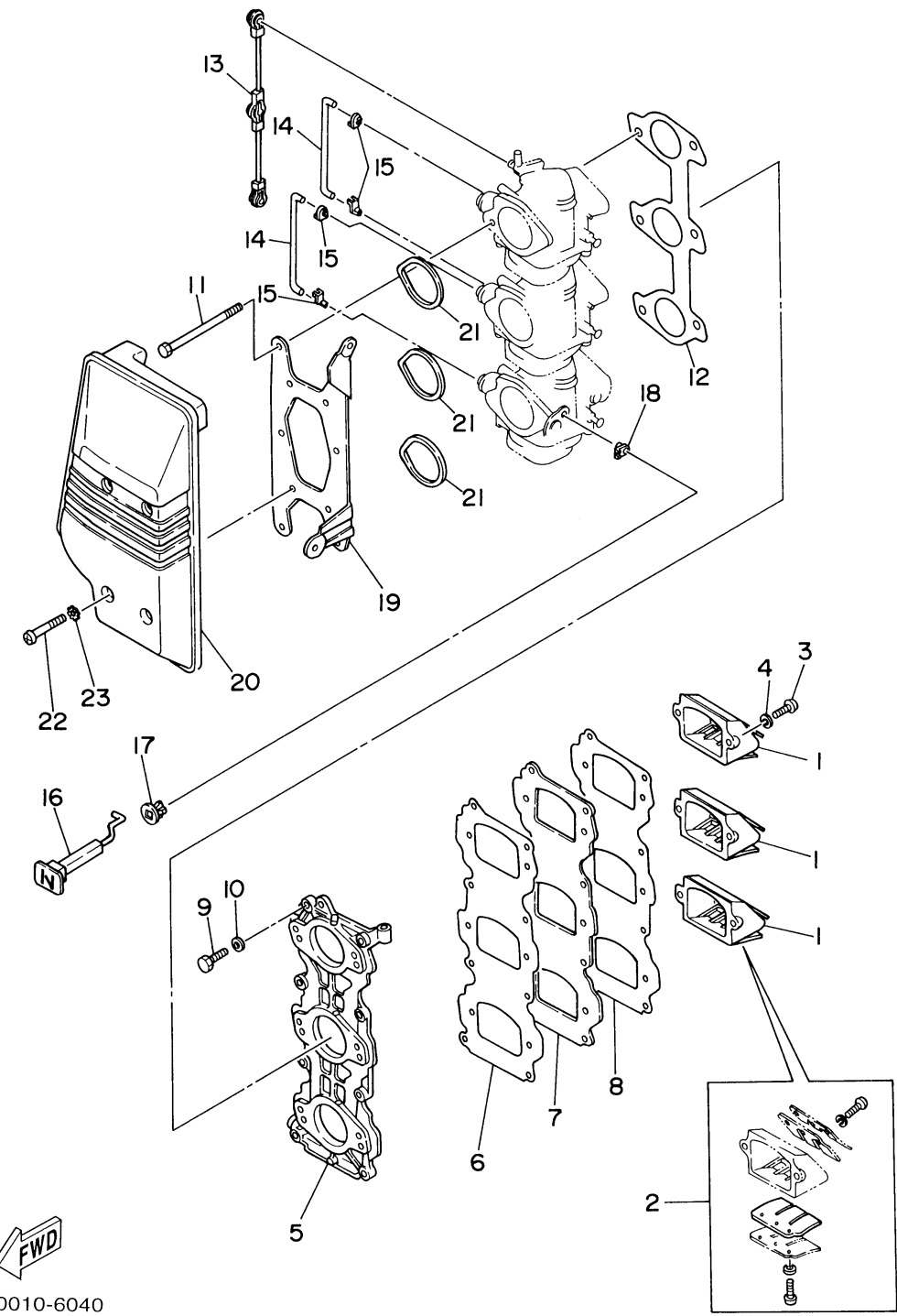


INTAKE 1 C60TLRZ



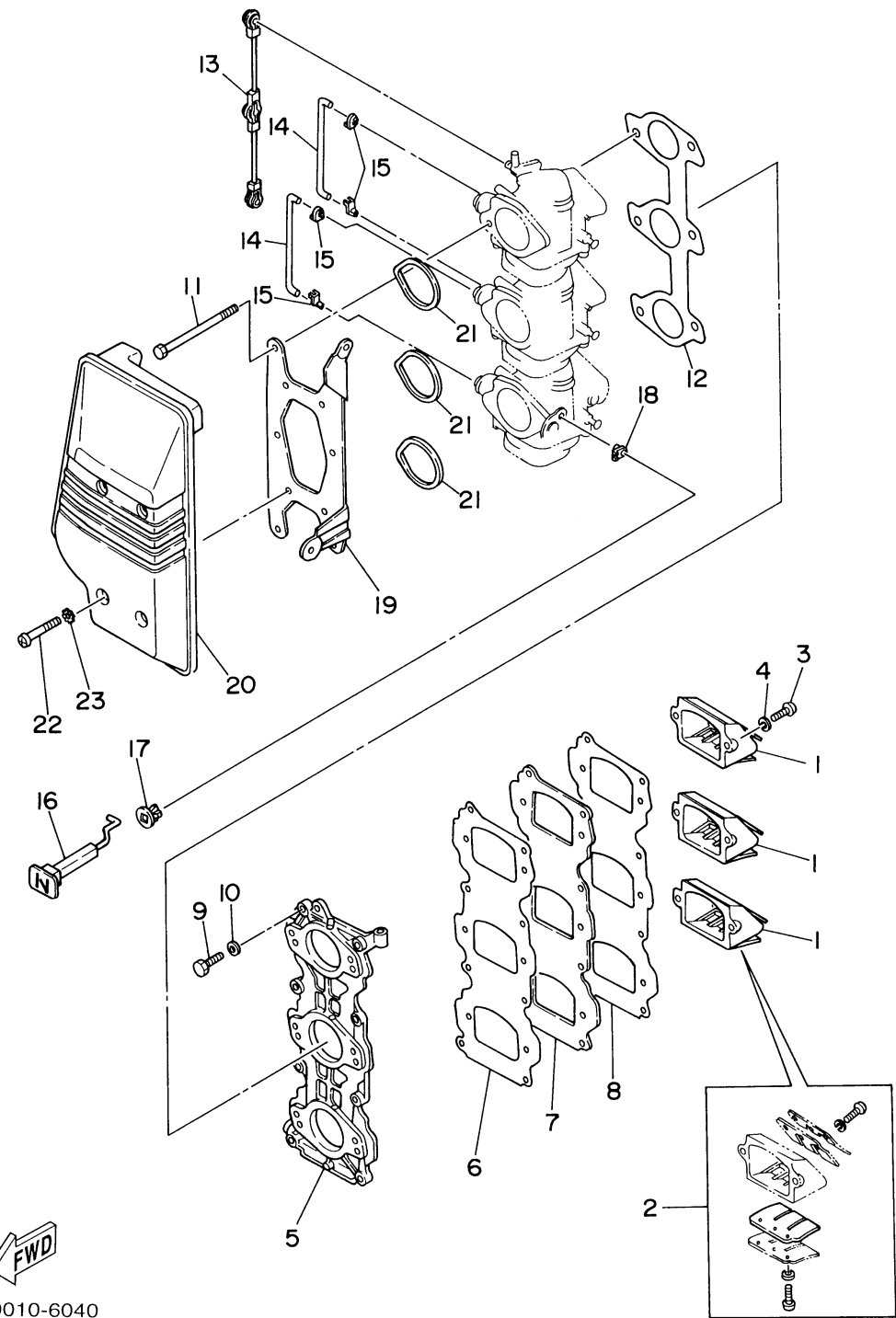
Ref No.	Part Number	Description	Qty	Remarks
1	6H2-13610-00-00	REED VALVE ASSY	3	(C60)
2	688-W0004-00-00	. .REED SET	1	(C60)
3	97880-05016-00	SCREW, PAN HEAD	6	(C60)
4	92990-05600-00	WASHER, PLATE	6	(C60)
5	6H3-13641-03-94	MANIFOLD 1	1	(C60)
6	6H3-13621-A1-00	.GASKET, VALVE SEAT	1	(C60)
7	6H3-13624-00-94	PLATE, REED VALVE	1	(C60)
8	6H3-13622-A1-00	.GASKET, VALVE SEAT	1	(C60)
9	97013-06025-00	BOLT	8	(C60)
10	92903-06600-00	WASHER, PLATE	8	(C60)
11	97095-06095-00	BOLT	6	(C60)
12	6H3-14198-A1-00	GASKET	1	(C60)
13	6H3-41217-00-00	ROD, ACCEL. LEVER	1	(C60)
14	6H3-41257-00-00	ROD, CHOKE 2	2	(C60)
15	661-41262-02-00	JOINT, CHOKE LEVER	4	(C60)
16	6H3-41271-00-00	KNOB, CHOKE	1	(C60)
17	689-41273-00-00	GROMMET	1	(C60)
18	661-41262-02-00	JOINT, CHOKE LEVER	1	(C60)
19	6H3-14413-10-00	STAY	1	(C60)
20	6H3-14440-02-00	SILENCER ASSY, INTAKE	1	(C60)

CONTINUED ON NEXT FRAME >

6H20010-6040

INTAKE 1 C60TLRZ

Ref No.	Part Number	Description	Qty	Remarks
21	6H3-14457-01-00	SEAL	3	(C60)
22	97885-06045-00	SCREW, PAN HEAD	4	(C60)
23	90209-06M05-00	WASHER	4	(C60)



6H20010-6040