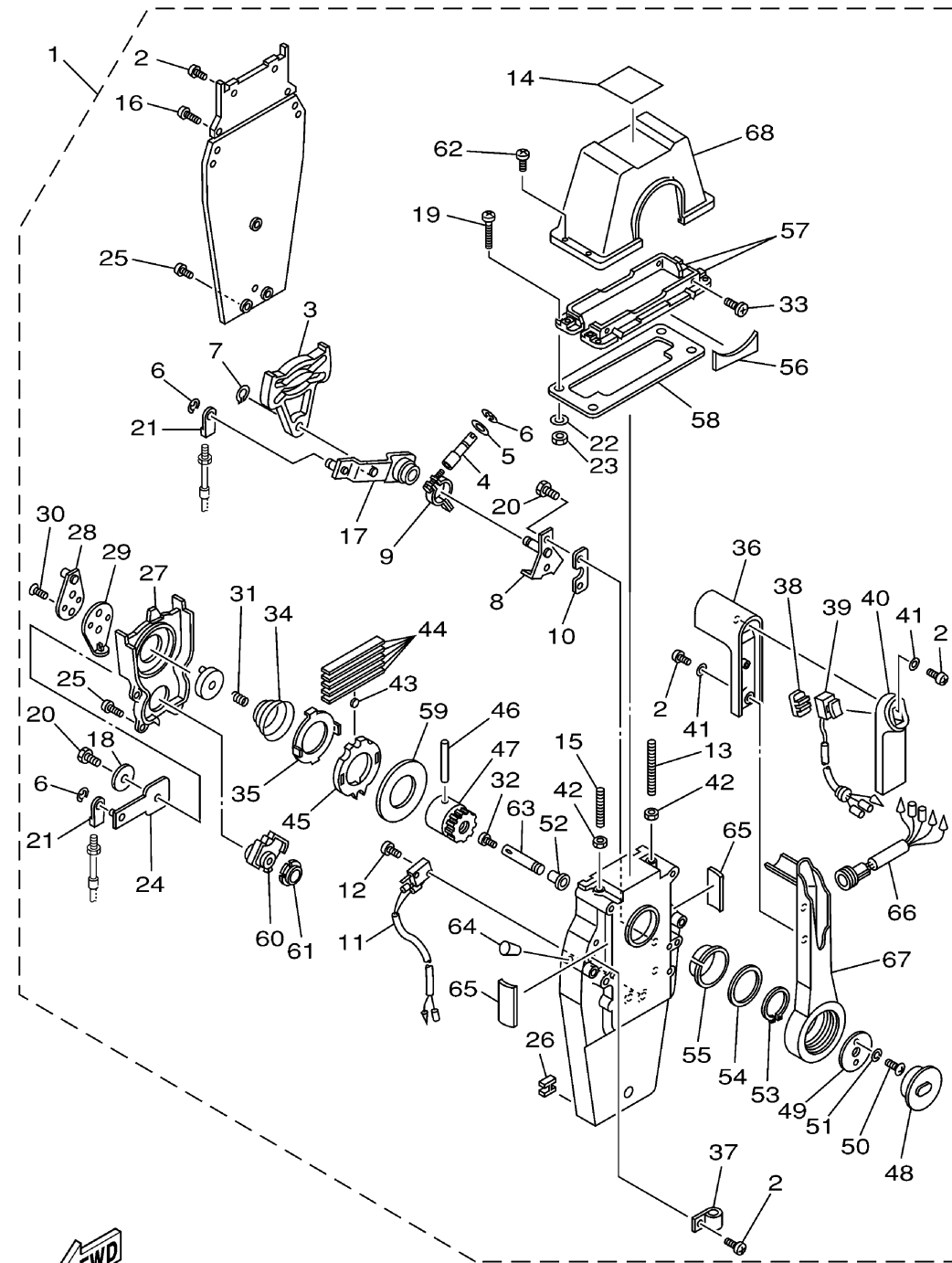


REMOTE CONTROL ASSY 3

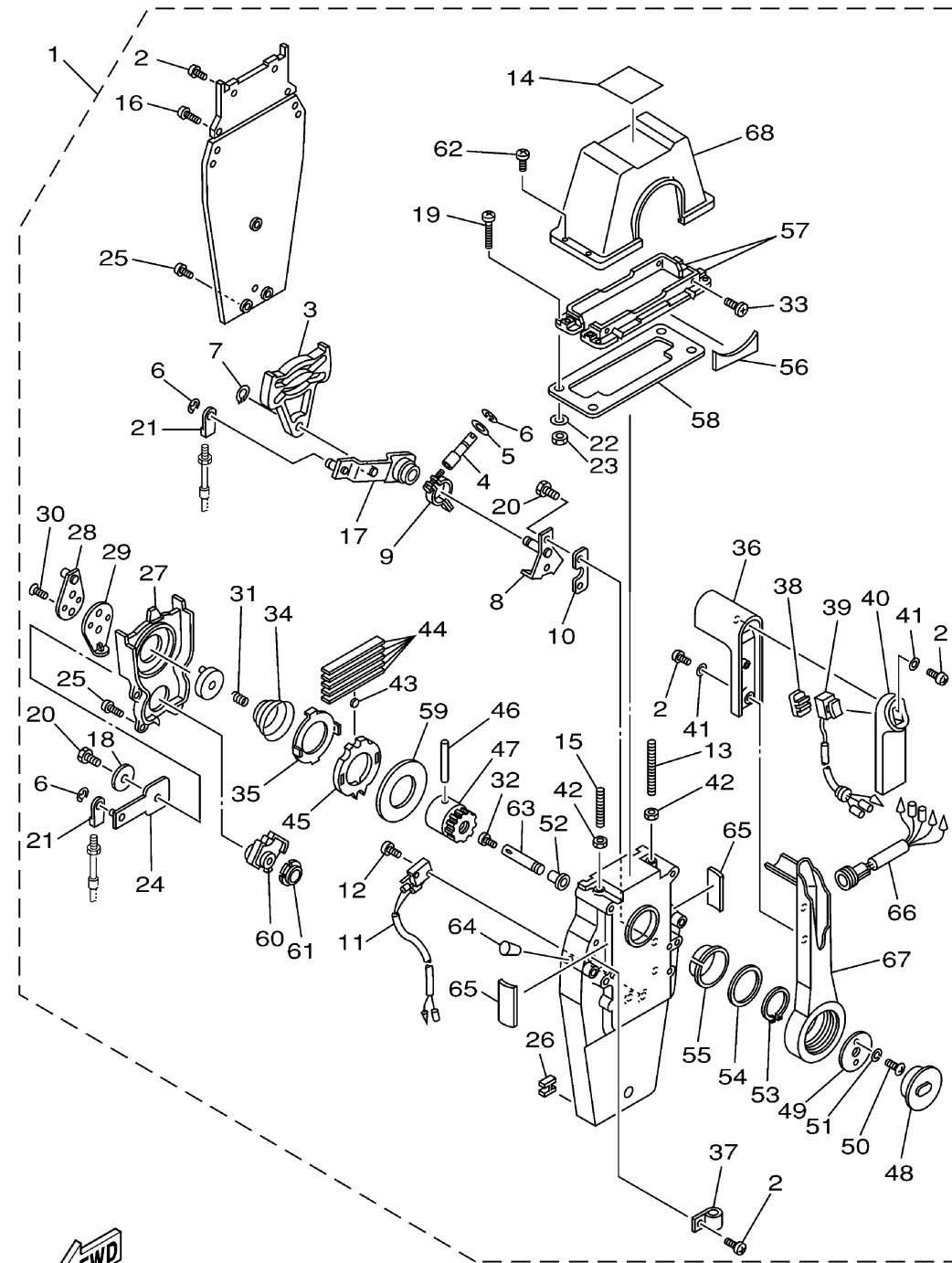


6X10100-1050

Ref No.	Part Number	Description	Qty	Remarks
1	704-48205-14-00	REMOTE CONTROL ASSY	1	(6X10)
2	97890-05016-00	. SCREW, PAN HEAD	6	(6X10)
3	EL8-48251-00-00	. PLATE, CAM	1	(6X10)
4	704-48265-00-00	. SHIFT, FRICTION	1	(6X10)
5	701-48246-00-00	. SPACER	1	(6X10)
6	93430-06024-00	. CIRCLIP	4	(6X10)
7	EL8-48259-00-00	. CIRCLIP 1	1	(6X10)
8	704-48262-00-00	. SHAFT, THROTTLE	1	(6X10)
9	704-48264-00-00	. THROTTLE, FRICTION	1	(6X10)
10	704-48266-00-00	. SPACER	1	(6X10)
11	704-82540-00-00	. NEUTRAL SWITCH ASSY	1	(6X10)
12	98580-03014-00	. SCREW	2	(6X10)
13	EL8-48281-00-00	. SCREW 1	1	(6X10)
14	704-48215-00-00	. GRAPHIC	1	(6X10)
15	704-48281-00-00	. SCREW	1	(6X10)
16	98580-05525-00	. SCREW, PAN HEAD	2	(6X10)
17	704-48261-00-00	. ARM, THOTTLE	1	(6X10)
18	EL8-48191-00-00	. WASHER 1	1	(6X10)
19	98580-05540-00	. SCREW, PAN HEAD	4	(6X10)
20	97080-06018-00	. BOLT	3	(6X10)

CONTINUED ON NEXT FRAME >

REMOTE CONTROL ASSY 3

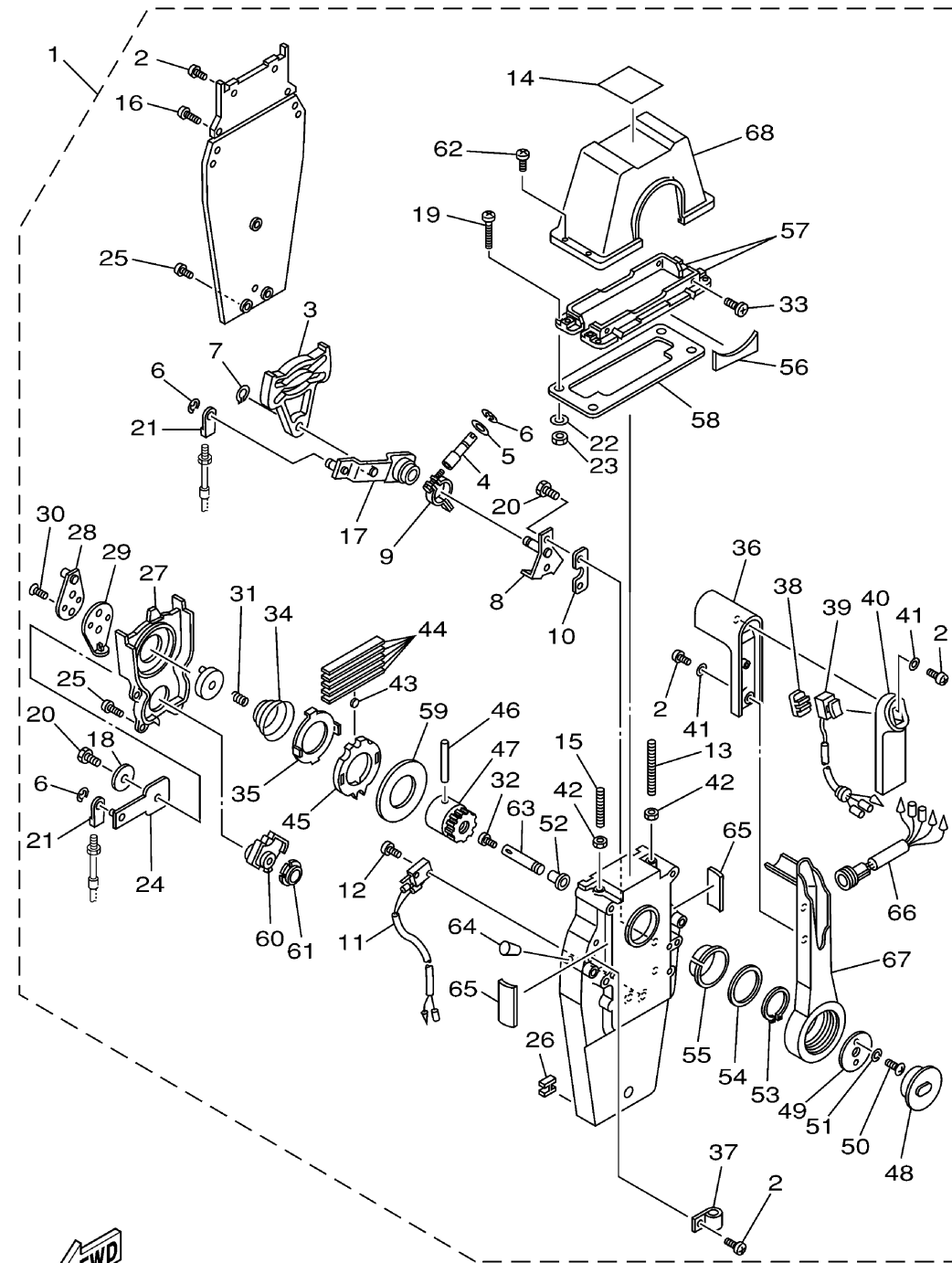


6X10100-1050

Ref No.	Part Number	Description	Qty	Remarks
21	703-48345-01-00	. CABLE END, REMOTE CONTROL 2	2	(6X10)
22	704-48287-00-00	. .WASHER	4	(6X10)
23	95380-05600-00	. .NUT	4	(6X10)
24	EL8-48271-00-00	. ARM, SHIFT	1	(6X10)
25	EL8-48127-00-00	. .SCREW 1	9	(6X10)
26	703-48358-00-00	. ANCHOR, CABLE	1	(6X10)
27	EL8-48231-00-00	. HOUSING, GEAR	1	(6X10)
28	EL8-48241-00-00	. ARM, DRIVE	1	(6X10)
29	EL8-48254-00-00	. STOPPER, THROTTLE ADJUSTING	1	(6X10)
30	98780-06020-00	. SCREW, FLAT HEAD	2	(6X10)
31	EL8-48158-00-00	. SPRING 1	1	(6X10)
32	98580-04006-00	. SCREW, PAN HEAD	1	(6X10)
33	98780-05018-00	. SCREW, FLAT HEAD	4	(6X10)
34	EL8-48244-00-00	. SPRING, FREE ACCEL	1	(6X10)
35	EL8-48245-00-00	. PLATE, LOCK	1	(6X10)
36	704-48222-00-00	. GRIP, CONTROL LEVER	1	(6X10)
37	704-82594-00-00	. CLAMP	1	(6X10)
38	704-48228-00-00	. HOLDER, SWITCH	1	(6X10)
39	704-82563-01-00	. .TRIM & TILT SWITCH ASSY	1	(6X10)
40	704-48229-00-00	. GRIP, CONTROL LEVER	1	(6X10)

CONTINUED ON NEXT FRAME >

REMOTE CONTROL ASSY 3

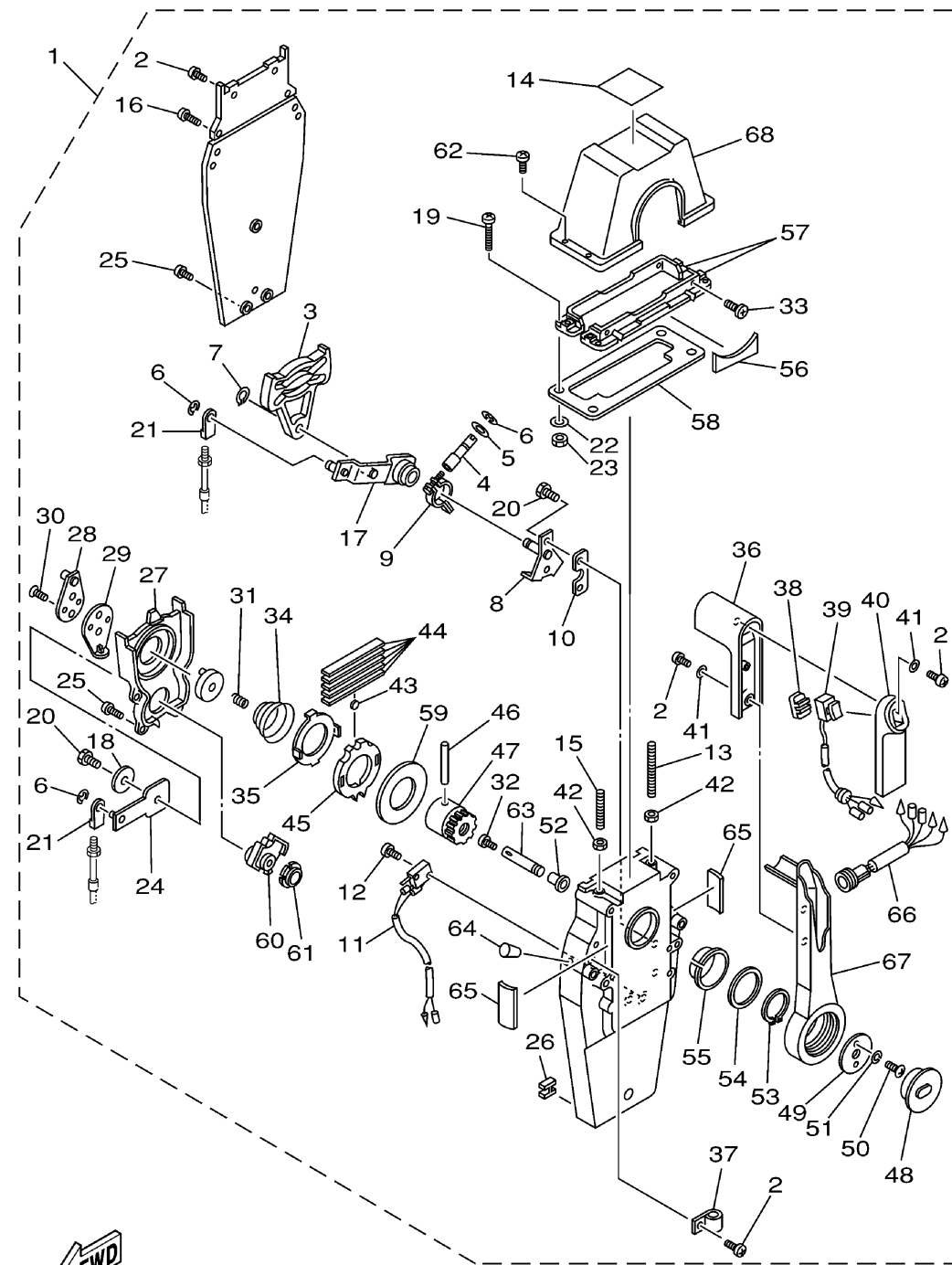


6X10100-1050

Ref No.	Part Number	Description	Qty	Remarks
41	92990-05300-00	. WASHER, INTERNAL TOOTH	3	(6X10)
42	95380-06600-00	. NUT, HEXAGON	2	(6X10)
43	701-48248-00-00	. ROLLER, FREE ACCEL	1	(6X10)
44	703-48238-00-00	. SPRING, DETENT	5	(6X10)
45	EL8-48232-00-00	. GEAR 1	1	(6X10)
46	EL8-48164-00-00	. PIN 2	1	(6X10)
47	704-48242-00-00	. SHIFT, DRIVE	1	(6X10)
48	704-48225-00-00	. COVER	1	(6X10)
49	704-48192-00-00	. WASHER 2	1	(6X10)
50	97890-06018-00	. SCREW, PAN HEAD	2	(6X10)
51	92990-06300-00	. WASHER, INTERNAL TOOTH	2	(6X10)
52	702-48263-00-00	. BUSHING 4	1	(6X10)
53	EL8-48279-00-00	. CIRCLIP 2	1	(6X10)
54	704-48193-00-00	. WASHER 3	1	(6X10)
55	EL8-48234-00-00	. BUSHING 1	1	(6X10)
56	704-48219-00-00	. COVER, LEAD	1	(6X10)
57	704-48144-00-00	. PLATE, STOPPER 2	2	(6X10)
58	704-48176-00-00	. GROMMET	1	(6X10)
59	703-48192-00-00	. WASHER 2	1	(6X10)
60	EL8-48233-00-00	. GEAR 2	1	(6X10)

CONTINUED ON NEXT FRAME >

REMOTE CONTROL ASSY 3



6X10100-1050

Ref No.	Part Number	Description	Qty	Remarks
61	703-48235-00-00	. BUSHING	1	(6X10)
62	704-48282-00-00	. SCREW	4	(6X10)
63	EL8-48153-10-00	. SHAFT, FREE ACCEL.	1	(6X10)
64	704-48166-00-00	. PLUG	1	(6X10)
65	704-48284-00-00	. GROMMET	2	(6X10)
66	704-82541-10-00	. WIRE, LEAD	1	(6X10)
67	704-48221-00-00	. LEVER, CONTROL	1	(6X10)
68	704-48119-00-00	. COVER	1	(6X10)