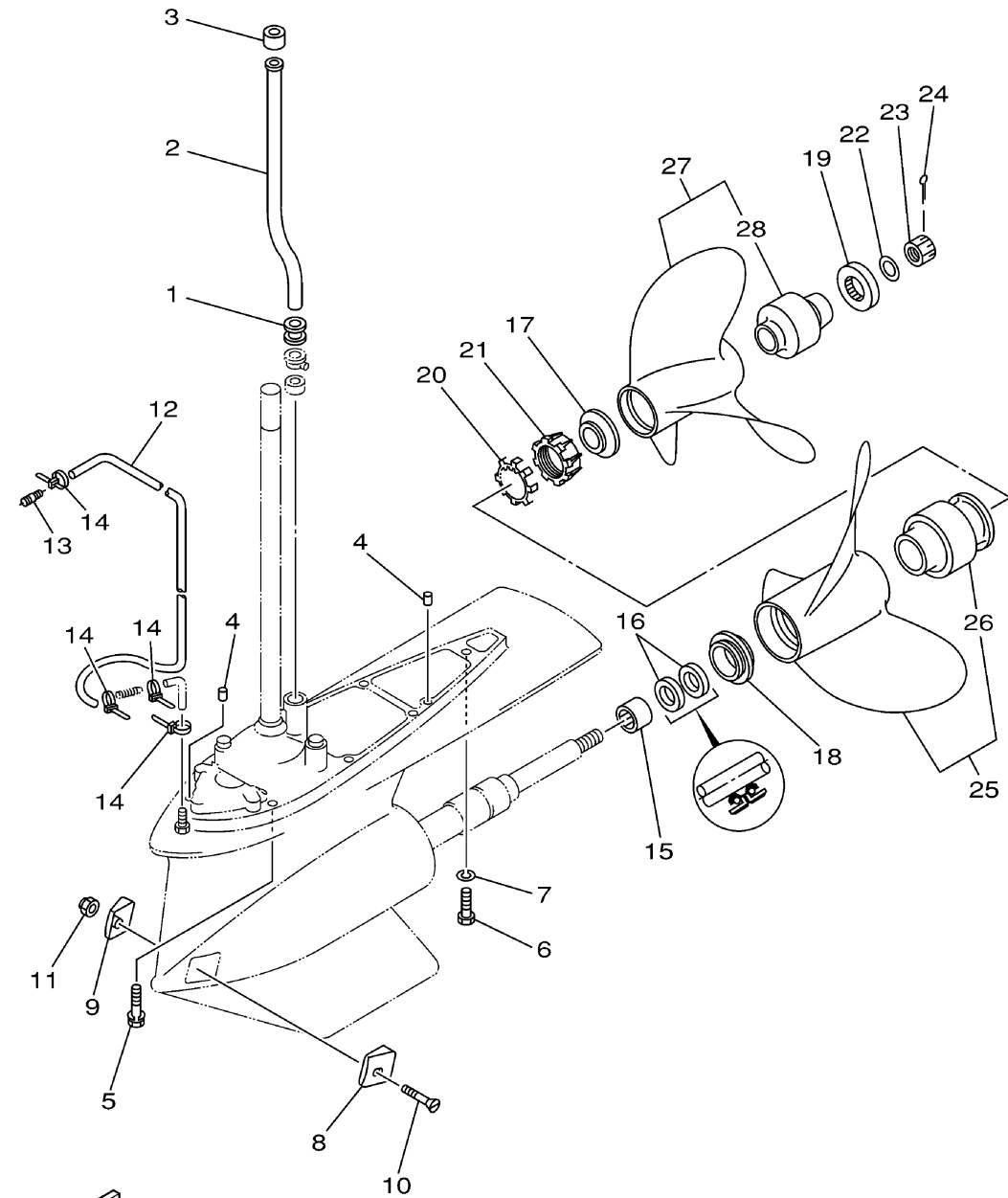


LOWER CASING DRIVE 2B

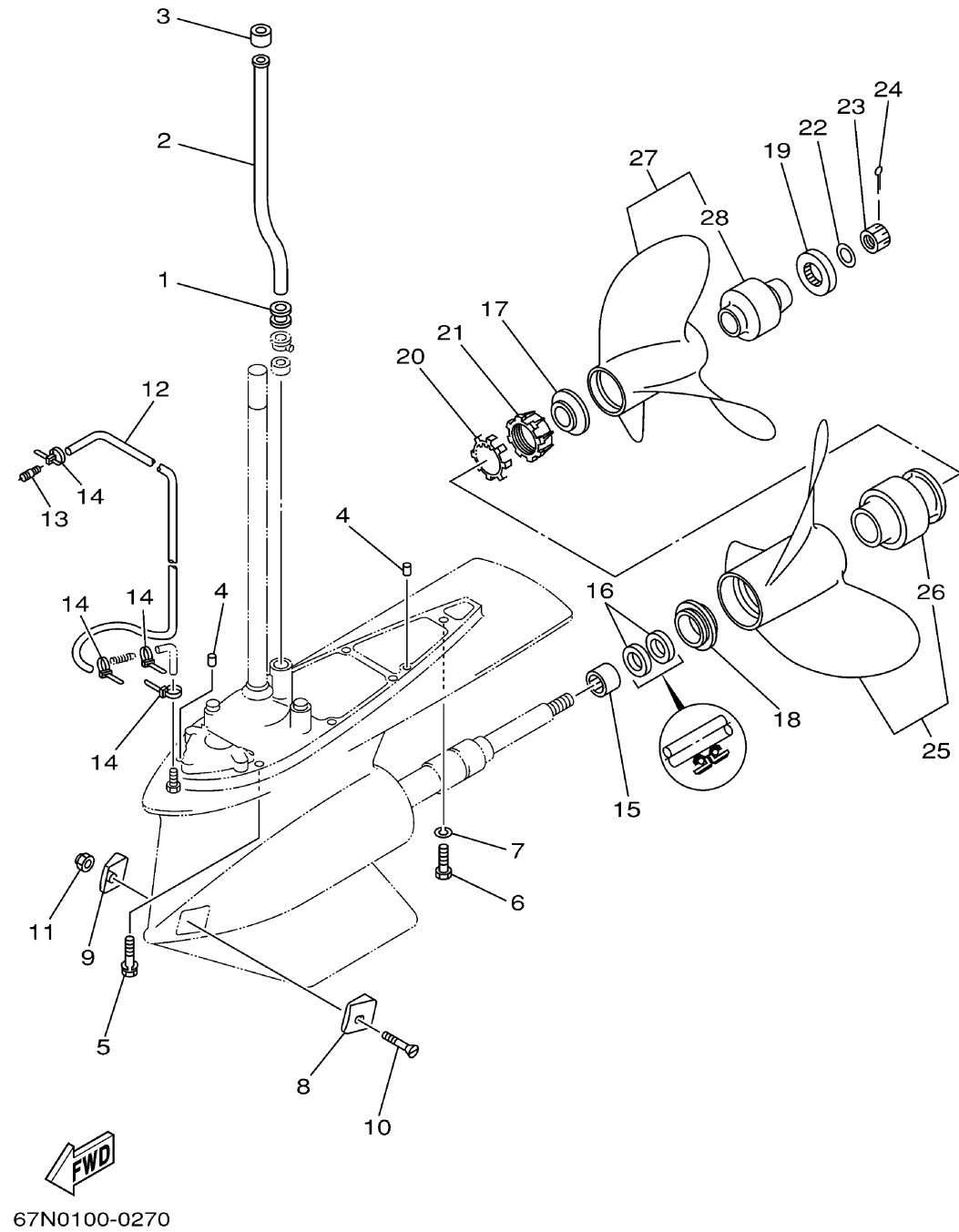


67N0100-0270

Ref No.	Part Number	Description	Qty	Remarks
1	6E5-44366-00-00	DAMPER, WATER SEAL 2	1	(67N0)
2	6E5-44361-00-00	TUBE, WATER 1	1	L (67N0)
3	6E5-44365-00-00	DAMPER, WATER SEAL 1	1	(67N0)
4	93608-12M05-00	PIN, DOWEL	2	(67N0)
5	90101-10M70-00	BOLT	6	(67N0)
6	97075-10035-00	BOLT	1	(67N0)
7	92995-10100-00	WASHER	1	(67N0)
8	65N-45214-00-00	COVER, WATER INLET	1	(67N0)
9	65N-45215-00-00	COVER, WATER INLET	1	(67N0)
10	90142-05M07-00	SCREW, COUNTERSUNK	1	(67N0)
11	90185-05002-00	NUT, NYLON	1	(67N0)
12	90445-07M33-00	HOSE (L1080)	1	(67N0)
13	6E5-83558-00-00	END, NIPPLE	1	(67N0)
14	90465-11M10-00	CLAMP	4	(67N0)
15	93317-428U8-00	BEARING	1	(67N0)
16	93101-28M67-00	.OIL SEAL	2	(67N0)
17	65N-45987-00-00	SPACER	1	(67N0)
18	65N-45997-00-00	SPACER	1	(67N0)
19	688-45997-01-00	SPACER 2	1	(67N0)
20	65N-45994-00-00	PLATE, TOOTH	1	(67N0)

CONTINUED ON NEXT FRAME >

LOWER CASING DRIVE 2B



Ref No.	Part Number	Description	Qty	Remarks
21	65N-45616-00-00	NUT, PROPELLER	1	(67N0)
22	92990-18200-00	WASHER	1	(67N0)
23	90171-18M04-00	NUT, CASTLE	1	(67N0)
24	91490-40030-00	PIN. COTTER	1	(67N0)
25	MAR-TRP14-21-F3	PROPELLER, FRONT (21" X 14"-MF)	1	
25	MAR-TRP14-19-F3	PROPELLER, FRONT (19" X 14"-MF)	1	
25	65N-45941-00-00	PROPELLER, FRONT (25" X 14"-MF)	1	UR (67N0)
25	65N-45945-00-00	PROPELLER, FRONT (27" X 14"-MF)	1	UR (67N0)
26	65N-45981-00-00	. DAMPER RUBBER, PROPELLER	1	(67N0)
27	MAR-TRP13-21-R3	PROPELLER (3X13" X21")	1	
27	MAR-TRP13-19-R3	PROPELLER (3X13" X19")	1	
27	65N-45947-00-00	PROPELLER, REAR (27" X 13"-MR)	1	UR (67N0)
27	65N-45943-00-00	PROPELLER, REAR (25" X 13"-MR)	1	UR (67N0)
28	6G5-45981-00-00	. DAMPER RUBBER, PROPELLER	1	(67N0)