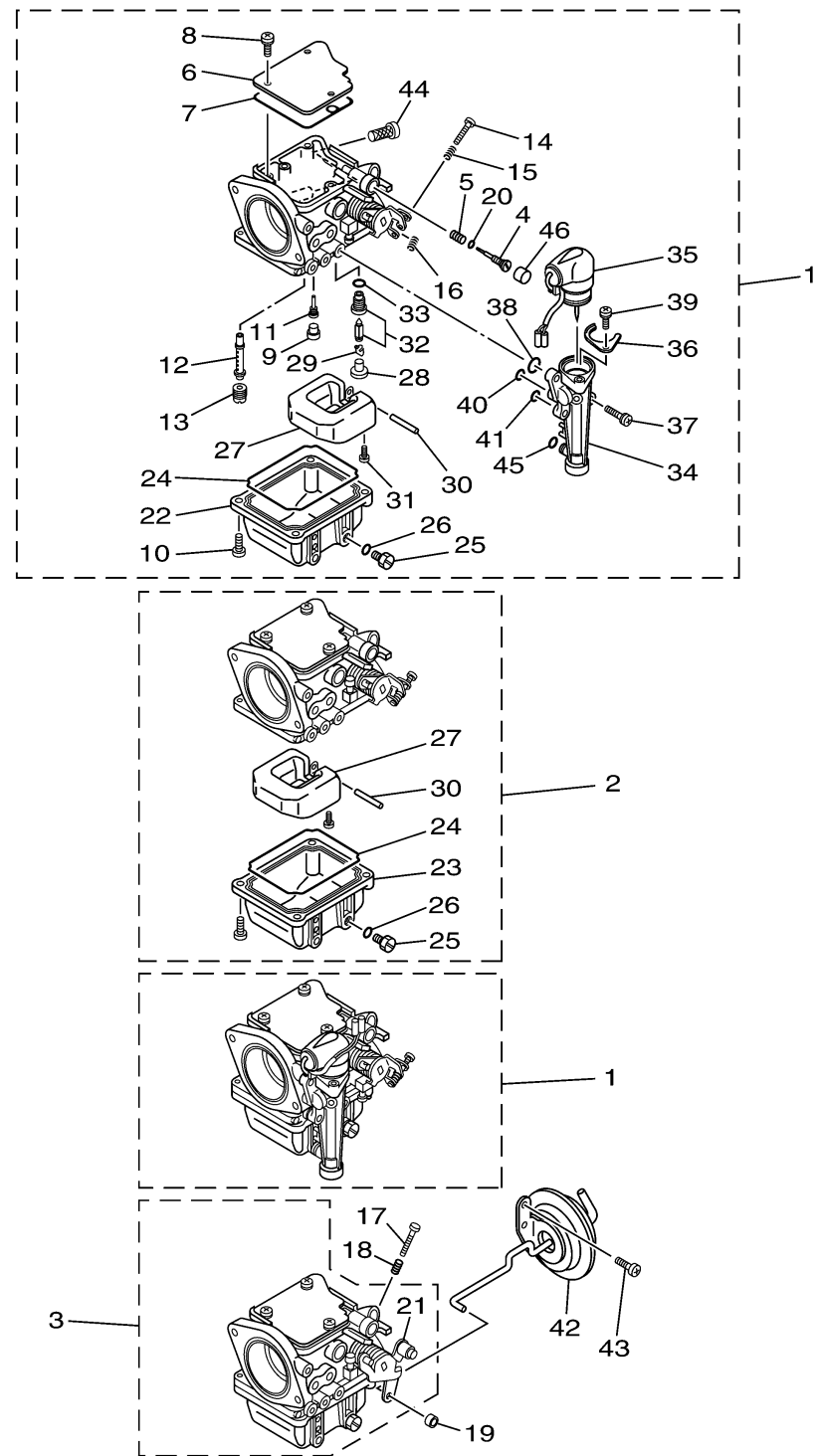


CARBURETOR 1

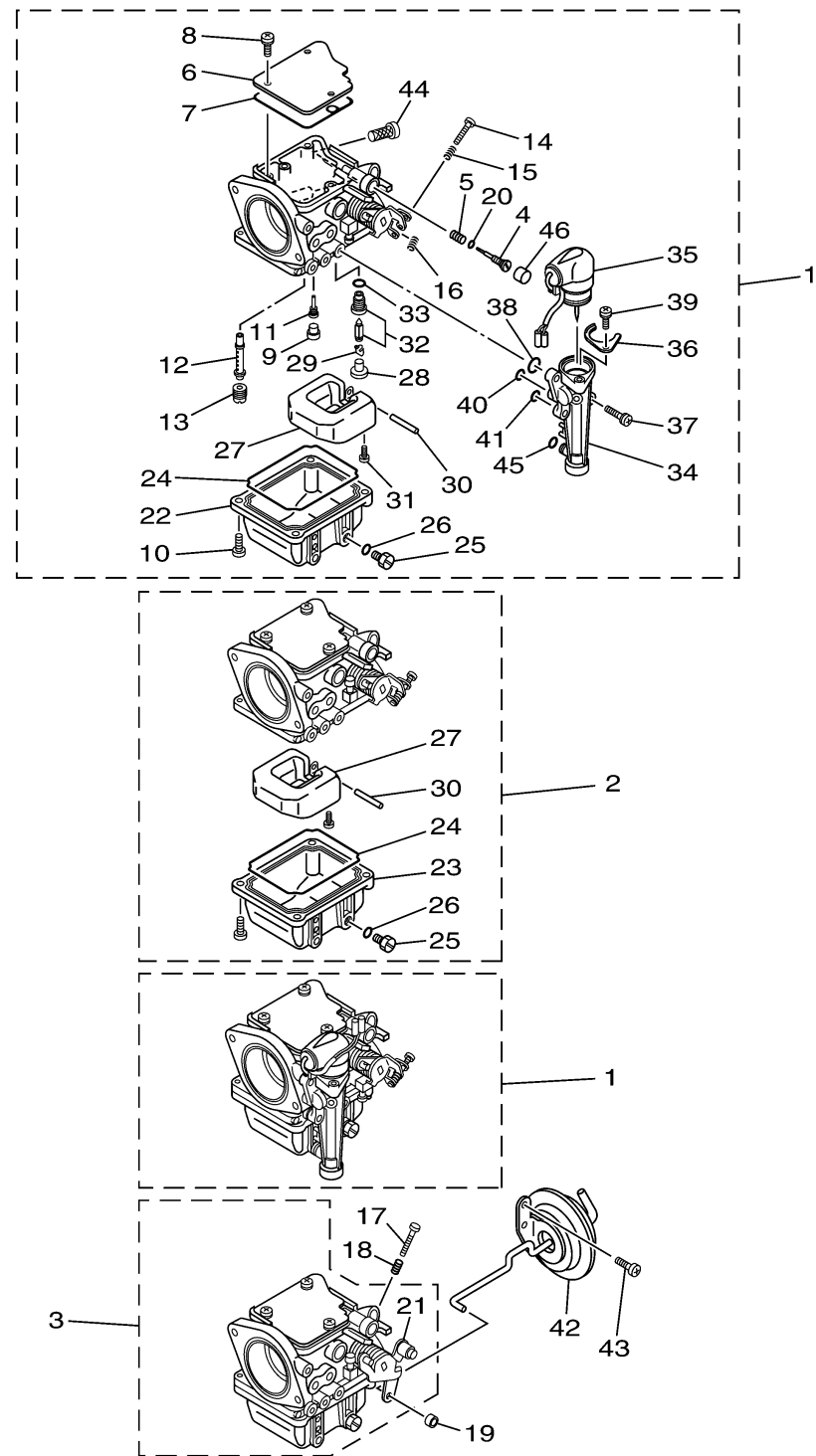


Ref No.	Part Number	Description	Qty	Remarks
1	67F-14901-10-00	CARBURETOR ASSY 1	2	UR F100-1, 3 (F100)
1	67G-14901-10-00	CARBURETOR ASSY 1	2	UR F80-1, 3 (F80)
2	67G-14902-10-00	CARBURETOR ASSY 2	1	UR F80-2 (F80)
2	67F-14902-10-00	CARBURETOR ASSY 2	1	UR F100-2 (F100)
3	67F-14904-10-00	CARBURETOR ASSY 4	1	UR F100-4 (F100)
3	67G-14904-10-00	CARBURETOR ASSY 4	1	UR F80-4 (F80)
4	67F-14923-00-00	. .SCREW, PILOT	4	
5	697-14555-00-00	. .SPRING	4	
6	67F-14146-00-00	. .PLATE	4	
7	67F-14147-00-00	. .O-RING	4	
8	97803-04010-00	. .SCREW, PAN HEAD	12	
9	676-14966-00-00	. CAP	4	
10	97980-04114-00	. .SCREW, WITH WASHER	16	
11	67F-14948-04-00	. JET (42)	4	UR F100 (F100)
11	67G-14948-05-00	. JET (#45)	4	UR F80 (F80)
12	67F-14947-00-00	. JET, NEEDLE	4	UR F100 (F100)
12	67G-14947-00-00	. JET, NEEDLE	4	UR F80 (F80)
13	67F-14943-83-00	. JET, MAIN (128)	4	UR F100 (F100)
13	67G-14943-80-00	. JET, MAIN (112)	4	UR F80 (F80)
14	67F-14567-00-00	. SCREW	3	1, 2, 3

CONTINUED ON NEXT FRAME >

67F010090711

CARBURETOR 1

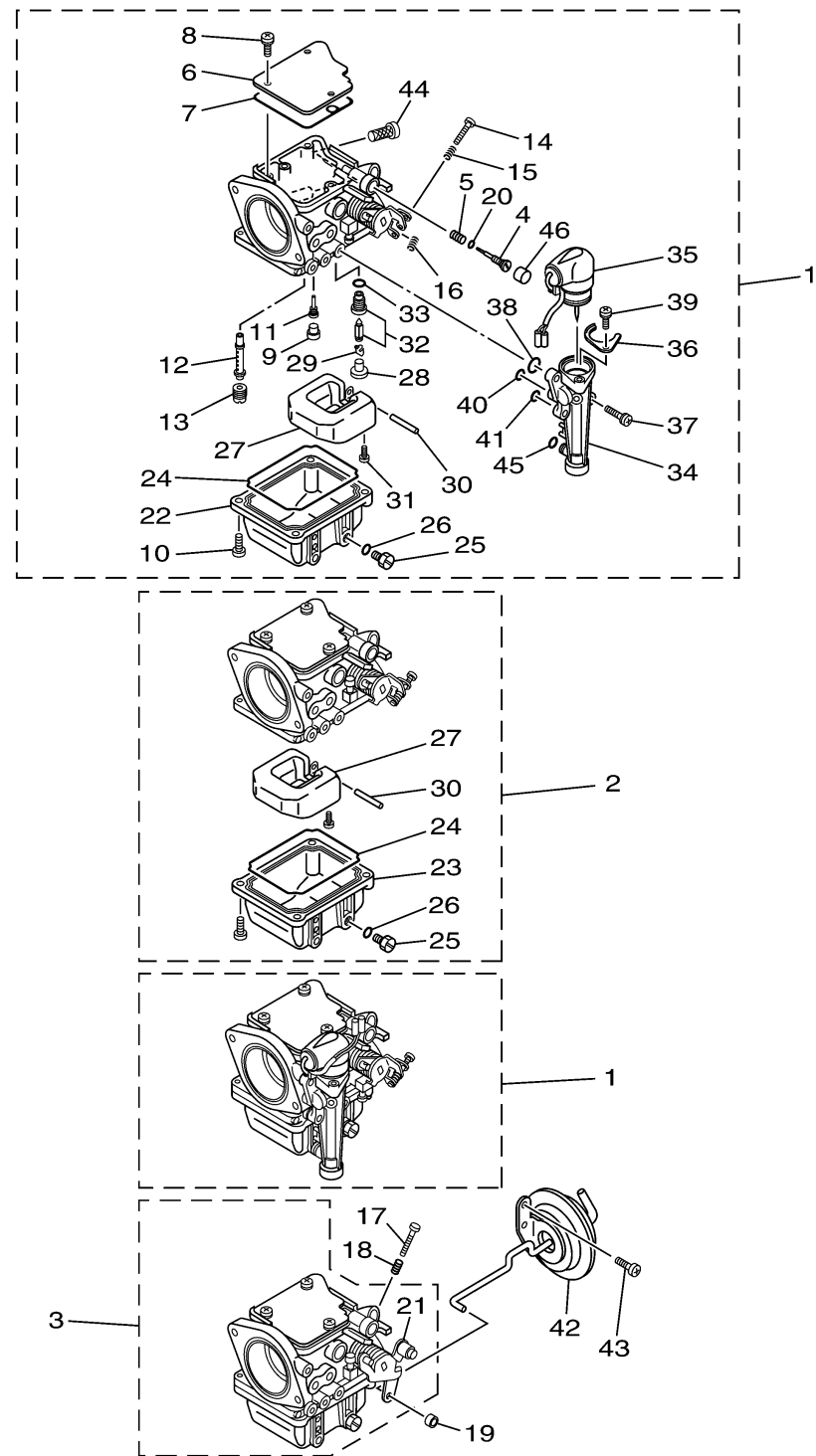


Ref No.	Part Number	Description	Qty	Remarks
15	67F-14555-00-00	. SPRING	3	1, 2, 3
16	67F-14556-00-00	. SPRING	3	1, 2, 3
17	63V-14523-00-00	.SCREW, STOP	2	4
18	90501-10326-00	.SPRING, COMPRESSION	2	4
19	67F-14998-00-00	BUSH	1	4
20	67F-14397-00-00	. .O-RING	4	
21	6H2-14578-00-00	. .COLLAR	1	4
22	67F-14980-00-00	. BODY, FLOAT CHAMBER	2	1, 3
23	67F-14980-10-00	. BODY, FLOAT CHAMBER	2	2, 4
24	67F-14984-00-00	. .GASKET, FLOAT CHAMBER	4	
25	6H3-14992-00-00	. .SCREW, DRAIN	4	
26	93210-04230-00	. O-RING	4	
27	6H4-14985-01-00	. .FLOAT	4	
28	676-14186-00-00	. PIN, FLOAT	4	
29	663-14159-00-00	. .CLIP	4	
30	6H4-14548-00-00	. .PIN, FLOAT ARM	4	
31	98580-04008-00	. .SCREW, PAN HEAD	4	
32	6H3-14590-00-00	. NEEDLE VALVE ASSEMBLY	4	
33	93210-04228-00	. O-RING	4	
34	67F-14378-00-00	. BODY, STARTER	2	1, 3

CONTINUED ON NEXT FRAME >


67F010090711

CARBURETOR 1



Ref No.	Part Number	Description	Qty	Remarks
35	67F-14380-00-00	. PRIME STARTER ASSY	2	1, 3
36	67F-14178-00-00	. PLATE, STARTER LEVER	2	1, 3
37	67F-14592-00-00	. SCREW	6	1, 3
38	67F-14398-00-00	. O-RING	2	1, 3
39	67F-14565-00-00	. SCREW	2	1, 3
40	67F-14398-10-00	. O-RING	4	1, 3
41	67F-14398-20-00	. O-RING	2	1, 3
42	67F-14369-00-00	DIAPHRAGM ASSY 2	1	4
43	67F-14325-00-00	SCREW, PAN HEAD	2	4
44	67F-14371-00-00	. ELEMENT, FILTER	4	
45	67F-14398-30-00	. O-RING	2	1, 3
46	67F-14355-00-00	. .PLUG	4	

67F010090711