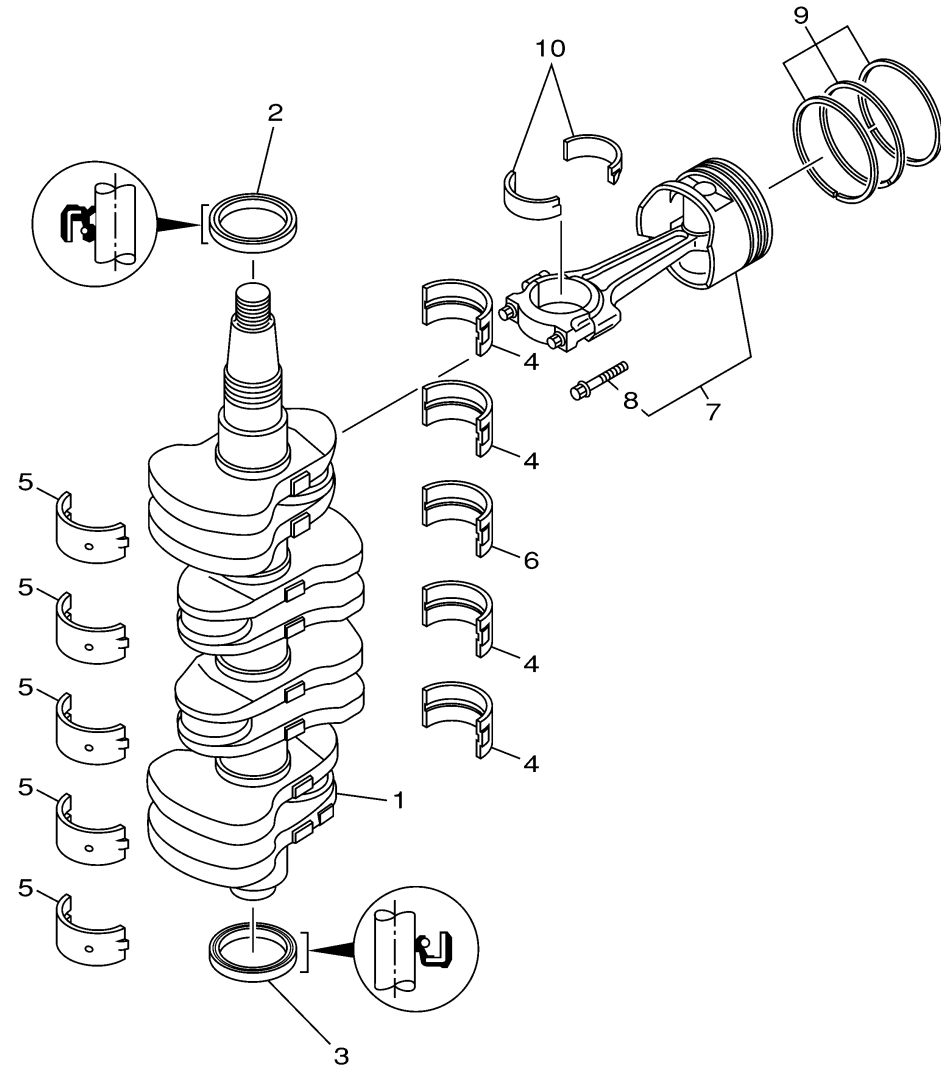


# CRANKSHAFT PISTON



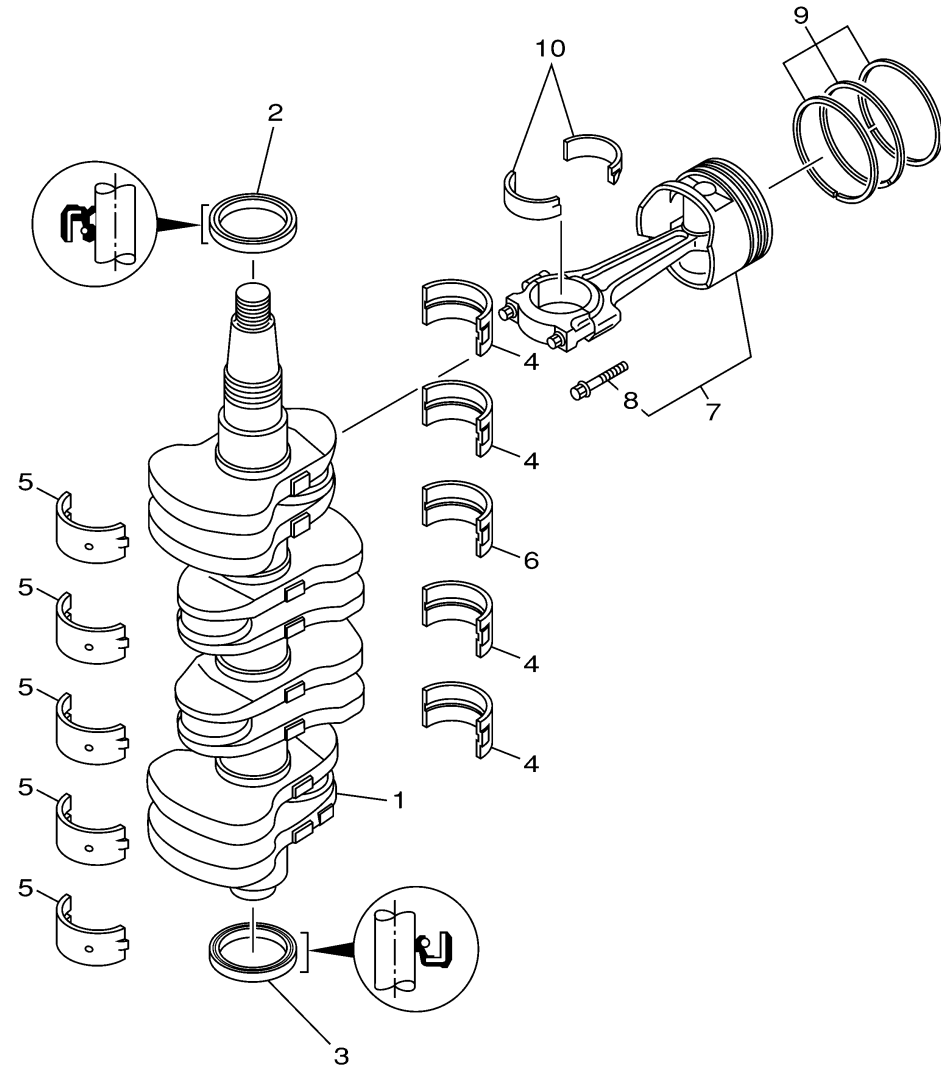
67F0010-0030

Ref No.	Part Number	Description	Qty	Remarks
1	67F-11411-00-00	CRANKSHAFT	1	
2	93102-48M60-00	OIL SEAL	1	
3	93101-48M68-00	OIL SEAL	1	
4	67F-11416-20-00	PLANE BEARING, CRANKSHAFT 1	4	UR RED
4	67F-11416-00-00	PLANE BEARING, CRANKSHAFT 1	4	UR GREEN
4	67F-11416-10-00	PLANE BEARING, CRANKSHAFT 1	4	UR BLUE
5	67F-11417-20-00	PLANE BEARING, CRANKSHAFT 2	5	UR BLUE
5	67F-11417-10-00	PLANE BEARING, CRANKSHAFT 2	5	UR GREEN
5	67F-11417-00-00	PLANE BEARING, CRANKSHAFT 2	5	UR YELLOW
5	67F-11417-30-00	PLANE BEARING, CRANKSHAFT 2	5	UR RED
6	67F-11418-20-00	PLANE BEARING, CRANKSHAFT 3	1	UR RED
6	67F-11418-00-00	PLANE BEARING, CRANKSHAFT 3	1	UR GREEN
6	67F-11418-10-00	PLANE BEARING, CRANKSHAFT 3	1	UR BLUE
7	67F-11640-10-00	PISTON/CON-ROD ASSY (0.25MM OS)	4	AP
7	67F-11640-00-00	PISTON/CONNECTING ROD ASSY STD	4	
8	67F-11654-00-00	. .BOLT, CONNECTING ROD	2	
9	67F-11603-01-00	PISTON RING SET (STD)	4	
9	67F-11604-01-00	PISTON RING SET (0.25MM O/S)	4	AP
10	67F-11656-10-00	PLANE BEARING, CONNECTING ROD	8	UR GREEN
10	67F-11656-00-00	PLANE BEARING, CONNECTING ROD	8	UR YELLOW

CONTINUED ON NEXT FRAME >

# CRANKSHAFT PISTON

Ref No.	Part Number	Description	Qty	Remarks
10	67F-11656-20-00	PLANE BEARING, CONNECTING ROD	8	UR BLUE
10	67F-11656-30-00	PLANE BEARING, CONNECTING ROD	8	UR RED



67F0010-0030