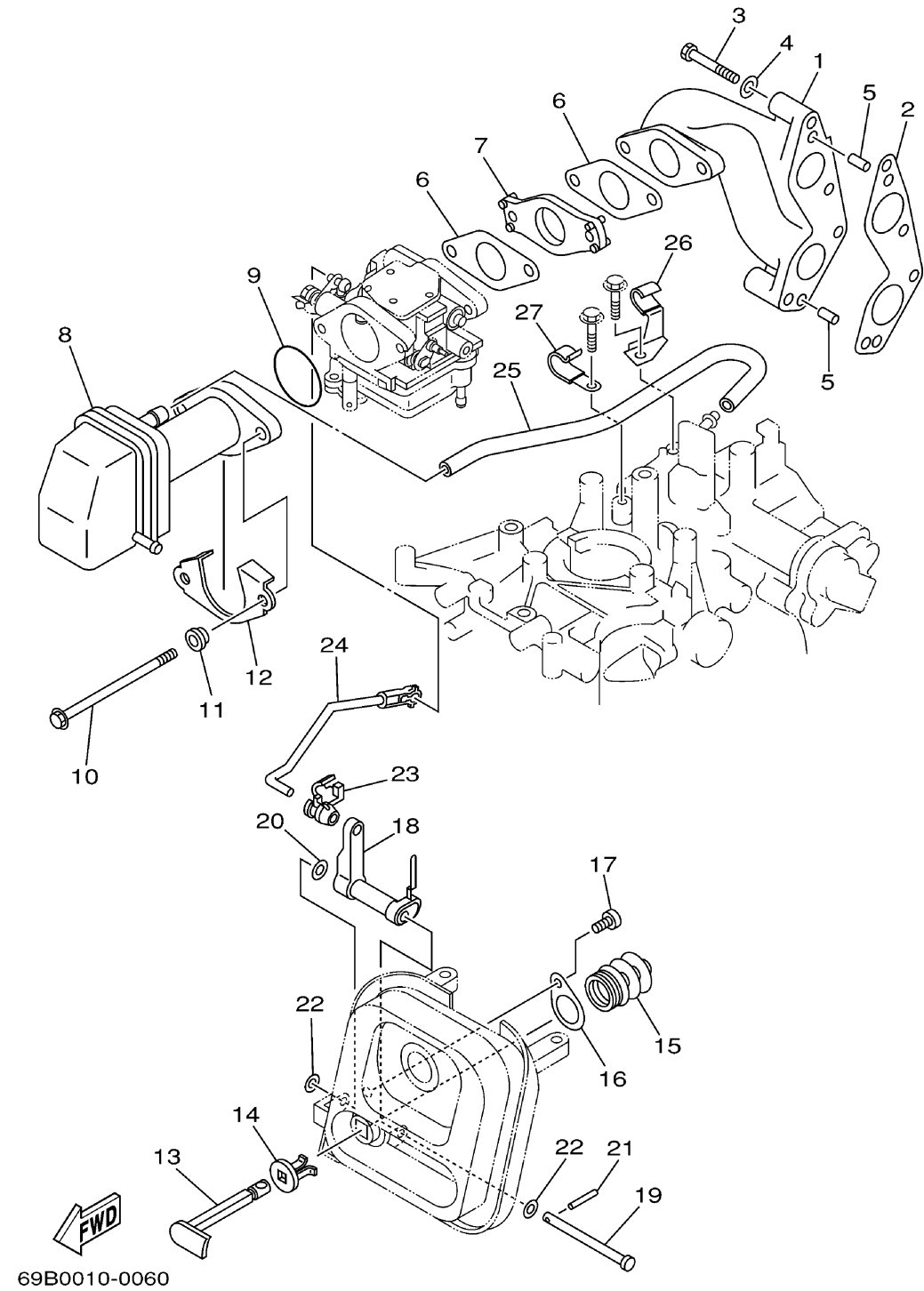


# INTAKE



Ref No.	Part Number	Description	Qty	Remarks
1	66M-13641-00-94	MANIFOLD 1	1	(PR)
2	66M-13645-00-00	.GASKET, MANIFOLD 1	1	(PR)
3	97095-06040-00	.BOLT	4	(PR)
4	92995-06600-00	WASHER	4	(PR)
5	93606-12019-00	PIN, DOWEL	2	(PR)
6	66M-13646-00-00	.GASKET, MANIFOLD 2	2	(PR)
7	66M-14271-00-00	INSULATOR	1	(PR)
8	66M-14440-00-00	SILENCER ASSY, INTAKE	1	(PR)
9	93210-35M86-00	.O-RING	1	(PR)
10	90119-06M76-00	BOLT, WITH WASHER	2	(PR)
11	90387-06M79-00	COLLAR	2	(PR)
12	66M-14477-00-00	PLATE	1	(PR)
13	66M-41271-00-00	KNOB, CHOKE	1	(PR)
14	689-41273-00-00	GROMMET	1	(PR)
15	66M-41292-00-00	BUSH 2	1	(PR)
16	66M-41298-00-00	WASHER 2	1	(PR)
17	97780-50510-00	SCREW, TAPPING	1	(PR)
18	66M-41252-00-00	LEVER, CHOKE 1	1	(PR)
19	90240-05M20-00	PIN, CLEVIS	1	(PR)
20	90206-05005-00	WASHER, WAVE	1	(PR)

CONTINUED ON NEXT FRAME >

# INTAKE

Ref No.	Part Number	Description	Qty	Remarks
21	91690-20016-00	PIN, SPRING	1	(PR)
22	90202-05088-00	.WASHER, PLATE	2	(PR)
23	6R5-41237-00-00	JOINT, LINK	1	(PR)
24	66M-41256-00-00	ROD, CHOKE 1	1	(PR)
25	66M-15373-00-00	PIPE, BREATHER	1	(PR)
26	90465-08M82-00	CLAMP	1	(PR)
27	90465-08M83-00	CLAMP	1	(PR)

