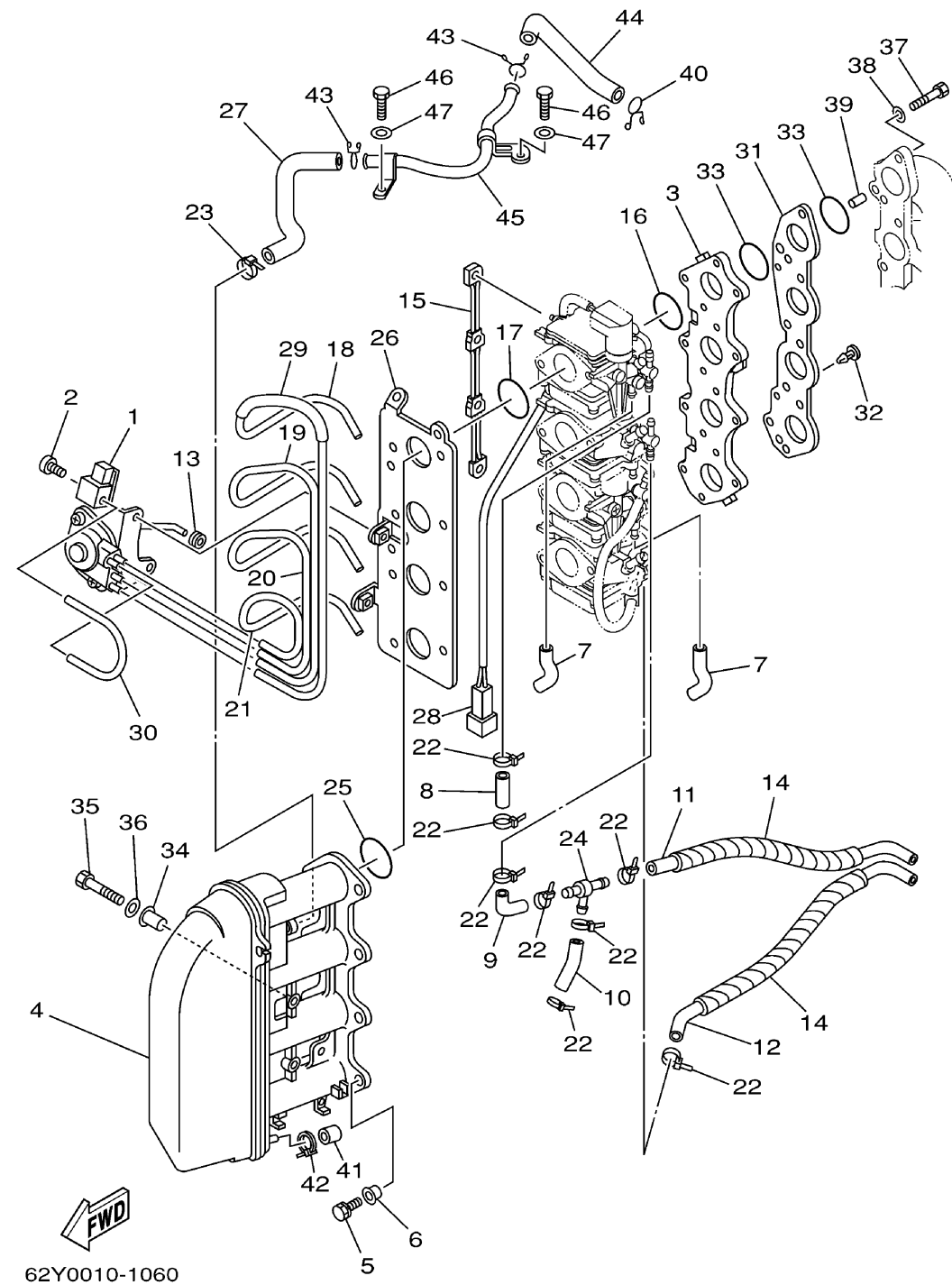


INTAKE

Ref No.	Part Number	Description	Qty	Remarks
1	62Y-14369-30-00	DIAPHRAGM ASSY 2	1	
2	650-14327-01-00	SCREW	3	
3	62Y-13586-30-00	JOINT, CARBURETOR 1	1	
4	62Y-14440-00-00	SILENCER ASSY, INTAKE	1	
5	97595-06590-00	BOLT, WITH WASHER	8	
6	90387-06M70-00	COLLAR	8	
7	62Y-24312-00-00	PIPE 2	2	
8	62Y-24313-30-00	PIPE 3	1	
9	62Y-24313-40-00	PIPE 3	2	
10	62Y-24313-50-00	PIPE 3	1	
11	62Y-24313-60-00	PIPE 3	1	
12	62Y-24313-70-00	PIPE 3	1	
13	62Y-41262-30-00	JOINT, CHOKE LEVER	1	
14	62Y-24313-80-00	PIPE 3	2	
15	64J-14585-00-00	ROD, CHOKE	1	
16	93210-30MH4-00	O-RING	4	
17	93210-35M86-00	.O-RING	4	
18	64J-14349-00-00	PIPE	1	
19	64J-14349-10-00	PIPE	1	
20	64J-14349-20-00	PIPE	1	

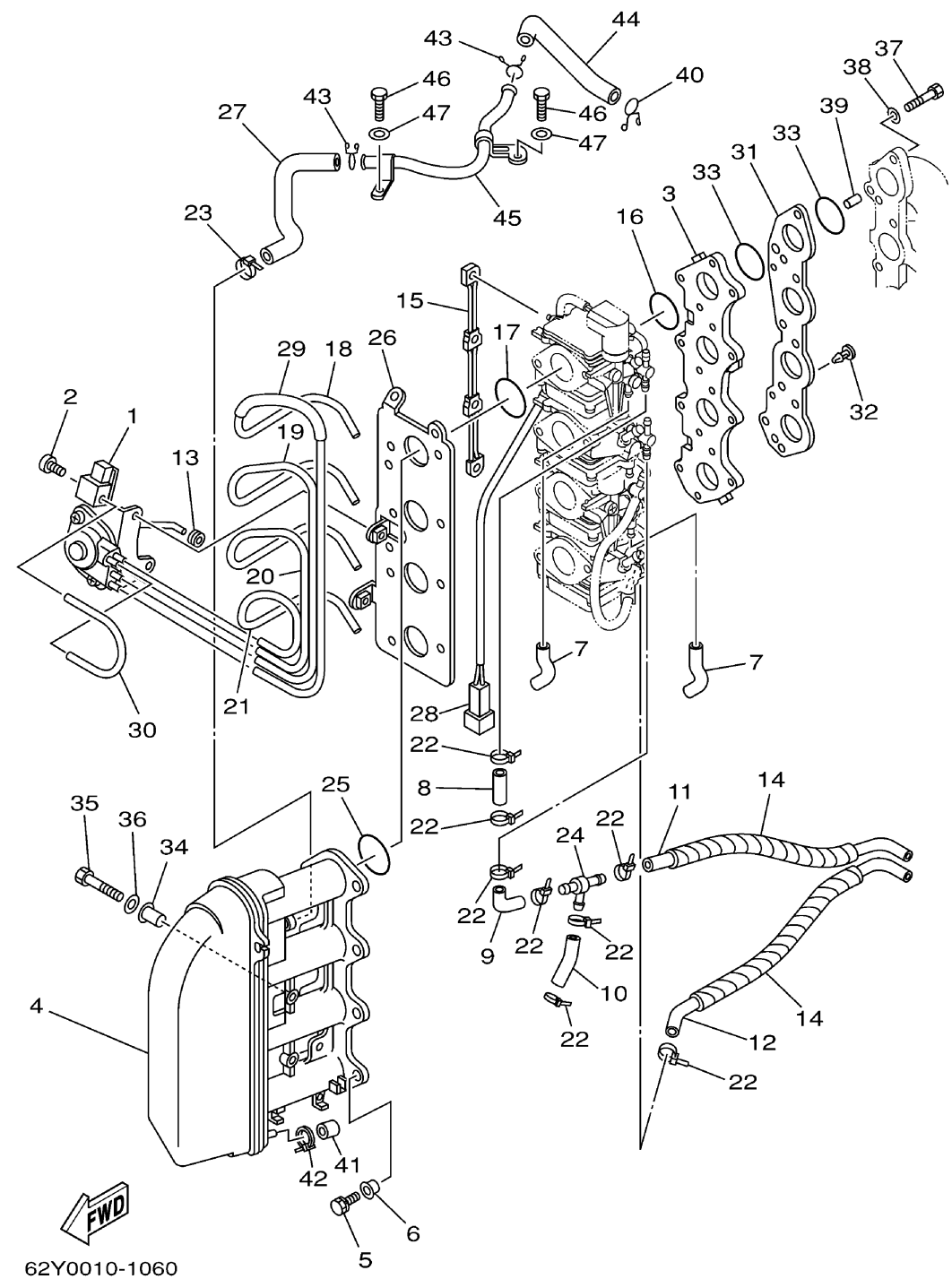
CONTINUED ON NEXT FRAME >



INTAKE

Ref No.	Part Number	Description	Qty	Remarks
21	64J-14349-30-00	PIPE	1	
22	90465-11M10-00	CLAMP	11	
23	90465-13M36-00	CLAMP	1	
24	62Y-24378-00-00	PIPE, JOINT 4	1	
25	93210-38MH3-00	O-RING	4	
26	62Y-14291-30-00	BRACKET 1	1	
27	62Y-1532B-00-00	PIPE, BREATHER	1	
28	62Y-82509-00-00	WIRE, SUB LEAD	1	
29	64J-14349-40-00	PIPE	1	
30	64J-14349-50-00	PIPE	1	
31	62Y-14271-00-00	INSULATOR	1	
32	90338-04M17-00	.PLUG	2	
33	93210-35M86-00	.O-RING	8	
34	90387-06M15-00	COLLAR	2	
35	97095-06030-00	BOLT	2	
36	92995-06600-00	WASHER	2	
37	97095-06025-00	BOLT	8	
38	92995-06600-00	WASHER	8	
39	93608-16M16-00	PIN, DOWEL	2	
40	90467-15M14-00	CLIP	1	

CONTINUED ON NEXT FRAME >



INTAKE

Ref No.	Part Number	Description	Qty	Remarks
41	62Y-13448-00-00	CAP	1	
42	90465-11M10-00	CLAMP	1	
43	90467-15M14-00	CLIP	2	
44	62Y-1531A-00-00	HOSE, BREATHER 1	1	
45	62Y-15373-10-00	PIPE, BREATHER	1	
46	97095-06016-00	BOLT	2	
47	92995-06600-00	WASHER	2	