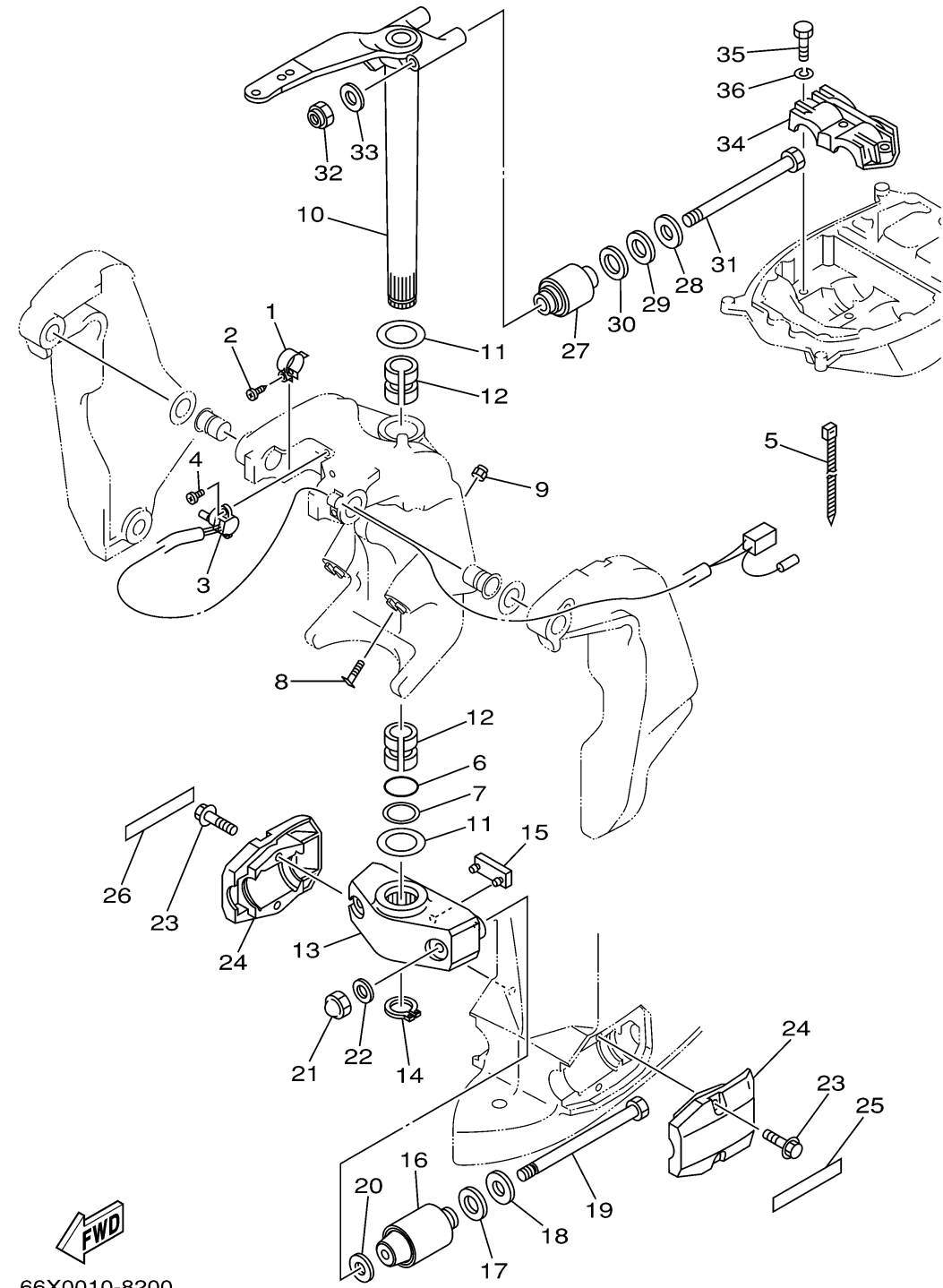


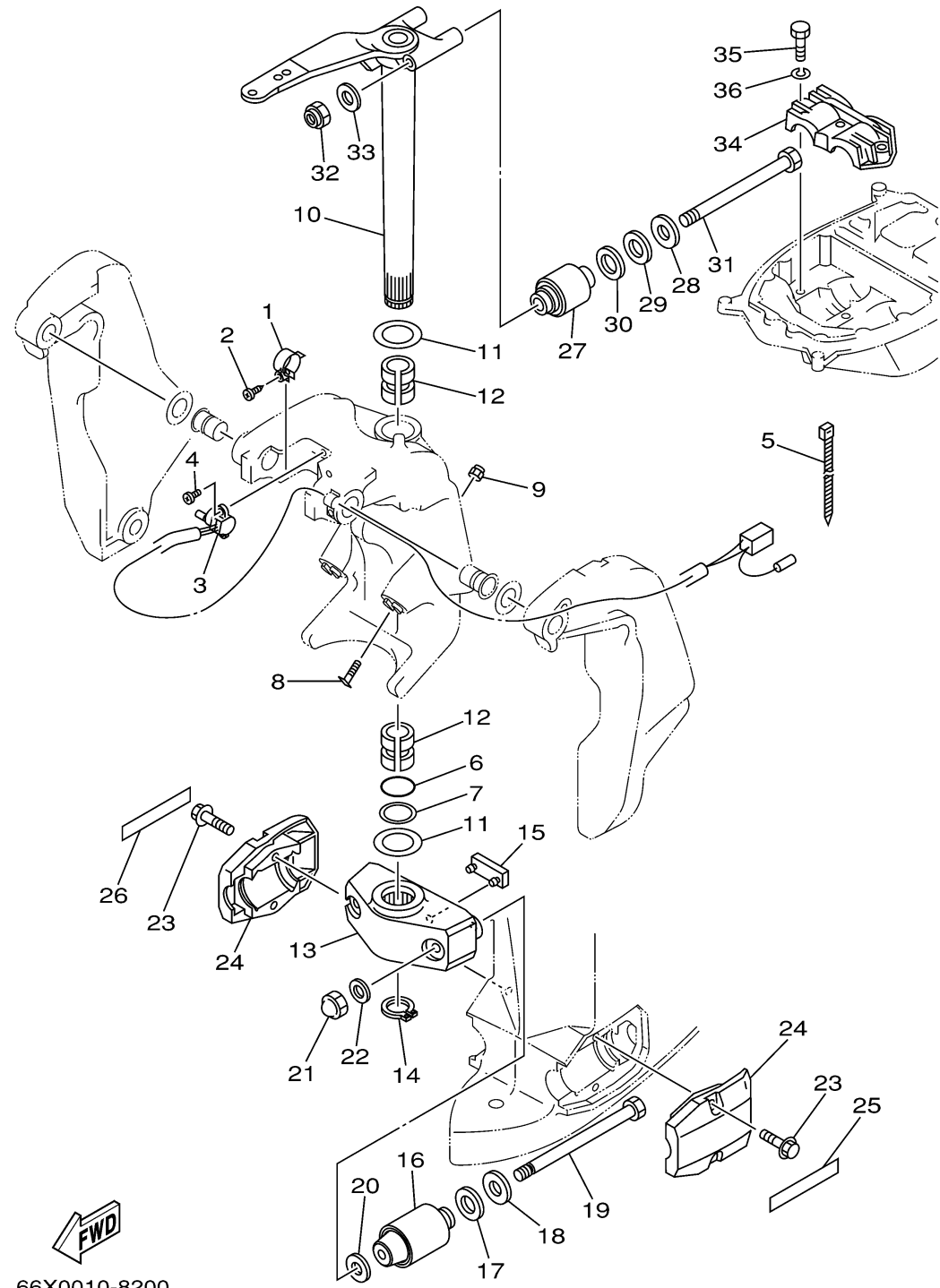
BRACKET 2



66X0010-8200

Ref No.	Part Number	Description	Qty	Remarks
1	64E-43139-01-00	CAM, TRIM SENDER	1	(VX)
2	97780-60525-00	SCREW, TAPPING	1	(VX)
3	64E-83672-02-00	TRIM SENDER	1	(VX)
4	97885-06016-00	SCREW, PAN HEAD	2	(VX)
5	90465-11M10-00	.CLAMP	3	(VX)
6	93210-37MH7-00	O-RING	1	(VX)
7	90202-40M47-00	WASHER, PLATE	1	(VX)
8	64E-43376-00-00	BOLT, THRUST RECEIVER	2	(VX)
9	95780-10300-00	NUT, FLANGE	2	(VX)
10	66K-42510-00-8D	STEERING BRACKET ASSY	1	(VX)
11	90201-38M60-00	WASHER, PLATE	2	(VX)
12	90386-38M32-00	BUSH	2	(VX)
13	66K-44551-00-8D	HOUSING, LOWER MOUNT RUBBER	1	(VX)
14	93410-37M04-00	CIRCLIP	1	(VX)
15	6E5-44575-00-00	DAMPER, LOWER MOUNT RUBBER	1	(VX)
16	66K-44555-00-94	MOUNT DAMPER, LOWER SIDE	1	(VX)
17	90202-32M19-00	WASHER, PLATE	2	(VX)
18	90201-16M55-00	WASHER, PLATE	2	(VX)
19	90109-14M80-00	BOLT	2	(VX)
20	90201-15M58-00	WASHER, PLATE	2	(VX)

CONTINUED ON NEXT FRAME >



BRACKET 2

Ref No.	Part Number	Description	Qty	Remarks
21	95380-14800-00	NUT	2	(VX)
22	92995-14600-00	WASHER	2	(VX)
23	90101-10M70-00	BOLT	4	(VX)
24	66K-44553-00-NA	COVER, LOWER MOUNT	2	(VX)
25	65N-43155-N0-00	MARK 1	1	(VX)
26	65N-43156-N0-00	MARK 2	1	(VX)
27	66K-44514-00-94	MOUNT DAMPER, UPPER SIDE	1	(VX)
28	90201-16M01-00	WASHER, PLATE	2	(VX)
29	90202-28M46-00	WASHER, PLATE	2	(VX)
30	90201-28M01-00	WASHER, PLATE	2	(VX)
31	90109-14M10-00	BOLT	2	(VX)
32	90185-14M00-00	NUT, SELF-LOCKING	2	(VX)
33	92995-14600-00	WASHER	2	(VX)
34	61A-44511-00-94	COVER, UPPER MOUNT	1	(VX)
35	97095-10045-00	BOLT	3	(VX)
36	92995-10600-00	WASHER	3	(VX)