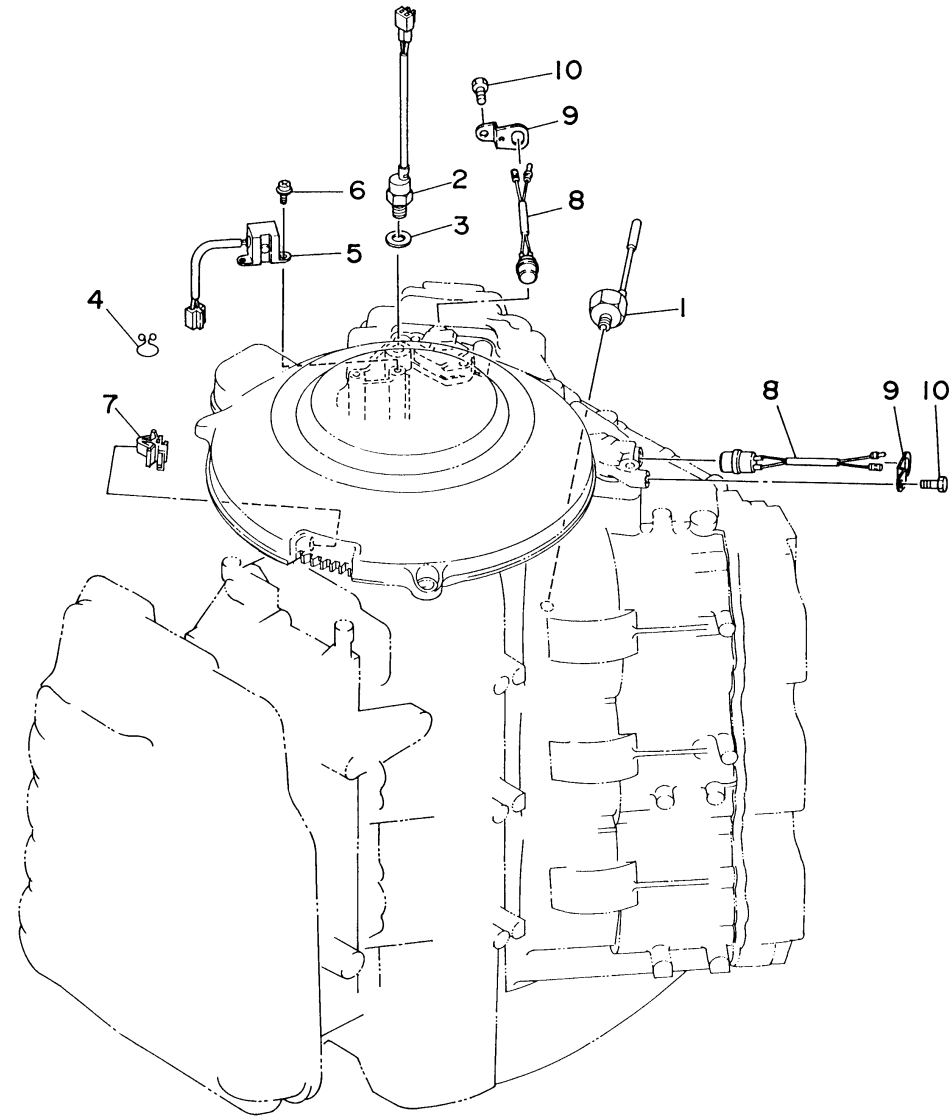


ELECTRICAL 4



Ref No.	Part Number	Description	Qty	Remarks
1	61A-85780-00-00	SENSOR, KNOCK	1	(VX)
2	61A-85790-00-00	THERMOSENSOR ASSY	1	(VX)
3	92990-10600-00	WASHER, PLATE	1	(VX)
4	90464-12M48-00	CLAMP	1	(VX)
5	61A-85895-00-00	CRANK POSITION SENDER	1	(VX)
6	97885-05012-00	SCREW, PAN HEAD	2	(VX)
7	90464-09M47-00	CLAMP	1	(VX)
8	61A-82560-00-00	THERMO SWITCH ASSY	2	(VX)
9	61A-8252U-00-00	COVER	2	(VX)
10	97080-06012-00	BOLT	2	(VX)



65J0010-7150