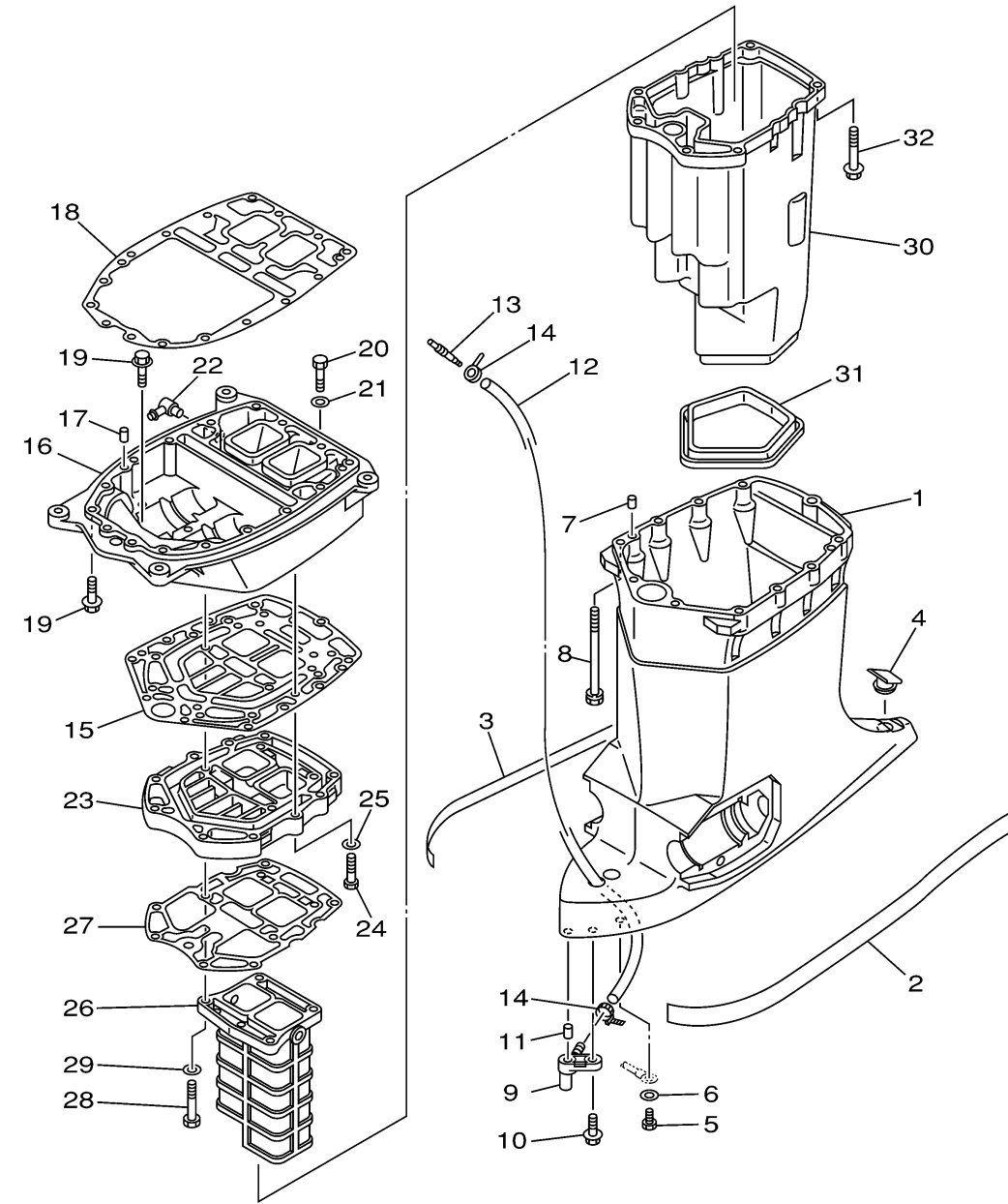


UPPER CASING



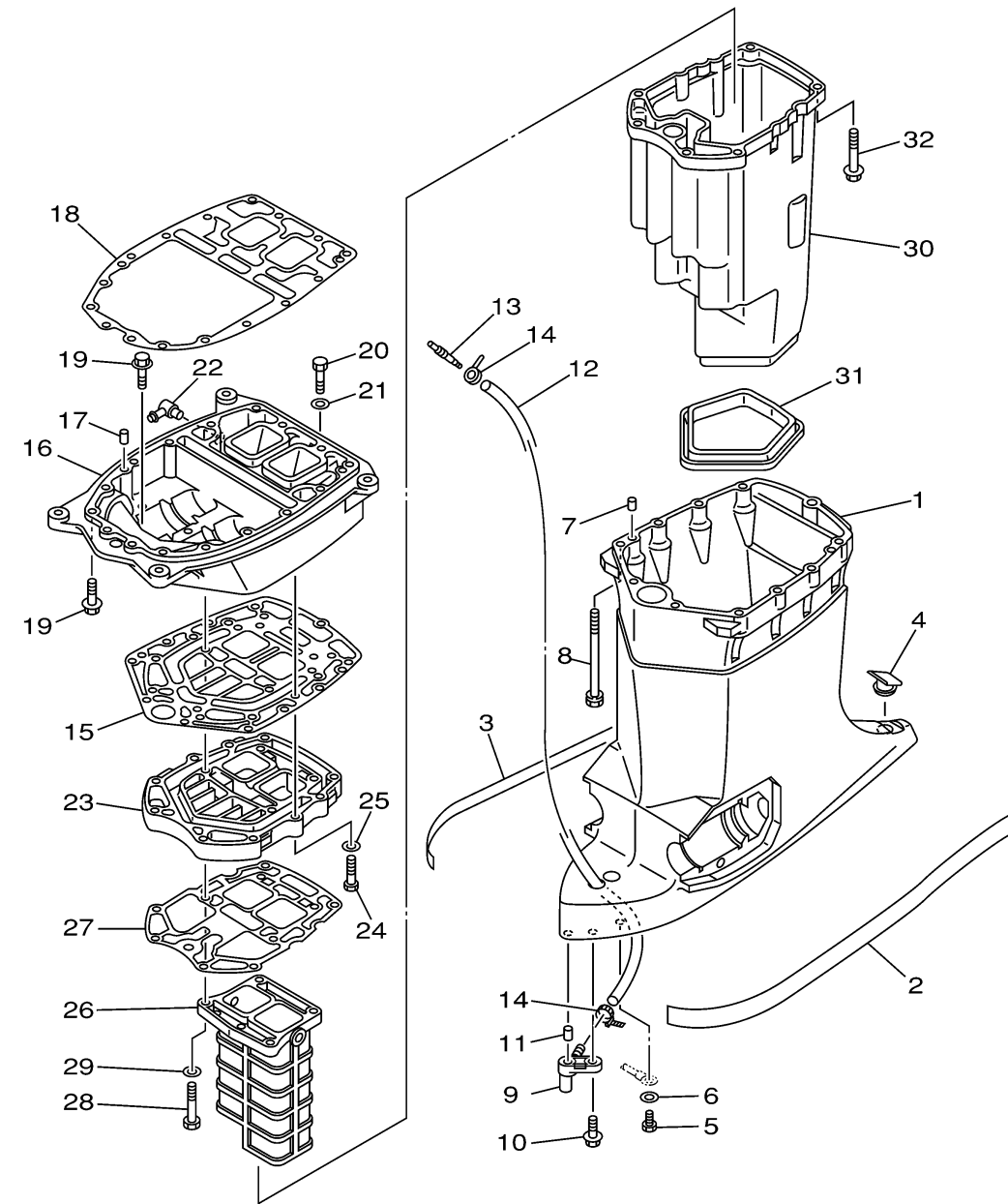
Ref No.	Part Number	Description	Qty	Remarks
1	66K-45111-00-8D	CASING, UPPER	1	(VX)
2	6N9-42791-40-00	MARK 1	1	(VX)
3	6N9-42792-40-00	MARK 2	1	(VX)
4	61A-45155-00-00	CAP	1	(VX)
5	97095-06010-00	BOLT	1	(VX)
6	92995-06600-00	WASHER	1	(VX)
7	93608-12M05-00	PIN, DOWEL	2	(VX)
8	90119-08M78-00	BOLT, WITH WASHER	8	(VX)
9	66K-45378-00-00	NIPPLE, HOSE	1	(VX)
10	90119-06M17-00	BOLT, WITH WASHER	1	(VX)
11	93606-12019-00	PIN, DOWEL	1	(VX)
12	90445-07MF0-00	HOSE (L1030)	1	(VX)
13	6E5-83558-00-00	END, NIPPLE	1	(VX)
14	90465-11M10-00	.CLAMP	2	(VX)
15	61A-45114-A0-00	.GASKET, UPPER CASING	1	(VX)
16	61A-41137-12-94	GUIDE, EXHAUST	1	FLUSHING KIT (VX)
17	93608-12M05-00	PIN, DOWEL	2	(VX)
18	61A-45113-A0-00	.GASKET, UPPER CASING	1	(VX)
19	90119-08M79-00	BOLT, WITH WASHER	8	(VX)
20	97095-08035-00	BOLT	1	(VX)

CONTINUED ON NEXT FRAME >



66X0010-9231

UPPER CASING



66X0010-9231

Ref No.	Part Number	Description	Qty	Remarks
21	92995-08600-00	WASHER	1	(VX)
22	6H1-11372-00-00	.NIPPLE, HOSE	1	FLUSHING KIT (VX)
23	61A-41131-00-5B	MANIFOLD, EXT. 1	1	(VX)
24	97095-08035-00	BOLT	4	(VX)
25	92995-08600-00	WASHER	4	(VX)
26	61A-41132-01-5B	MANIFOLD, EXHAUST	1	(VX)
27	61A-41134-A0-00	.GASKET, EXHAUST MANIFOLD	1	(VX)
28	97095-08050-00	.BOLT	4	(VX)
29	92995-08600-00	WASHER	4	(VX)
30	66K-14711-00-5B	MUFFLER 1	1	(VX)
31	66K-45123-00-00	.GASKET, MUFFLER	1	(VX)
32	90119-08M74-00	.BOLT, WITH WASHER	6	(VX)