

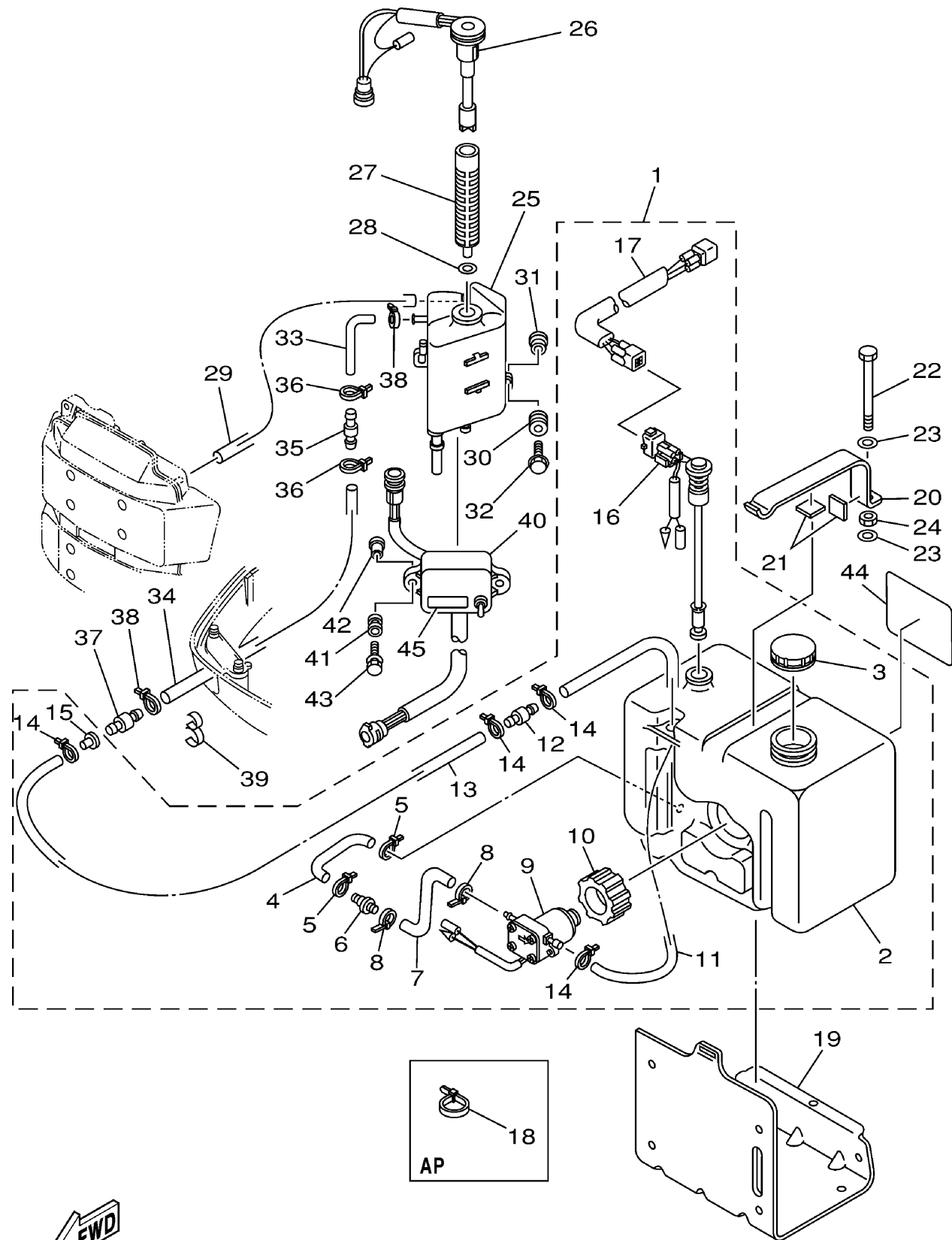
# OIL TANK

Ref No.	Part Number	Description	Qty	Remarks
1	6E5-21708-08-00	OIL TANK SUB-ASSY	1	AP
1	61A-21708-03-00	OIL TANK SUB-ASSY	1	AP
2	6E5-21733-02-00	.SUB TANK, OIL (10.5L)	1	
3	6E5-21770-03-00	.OIL TANK CAP ASSY	1	
4	6E5-24322-00-00	.PIPE 11	1	
5	90465-11M10-00	.CLAMP	2	
6	646-24251-02-00	.STRAINER 1	1	
7	6E5-24319-01-00	.PIPE, OIL	1	
8	90465-11M10-00	.CLAMP	2	
9	6E5-81900-01-00	.OIL FEED PUMP ASSY	1	
10	6E5-81922-00-00	.GROMMET	1	
11	6E5-24321-01-00	.PIPE 10	1	
12	6E5-24379-00-00	.PIPE, JOINT 4	1	
13	90445-11M26-00	.HOSE (L6500)	1	FOR 61A-21708-03
13	90445-11M81-00	.HOSE (L3000)	1	FOR 6E5-21708-08
14	90465-11M10-00	.CLAMP	4	
15	90480-06M19-00	.GROMMET	1	
16	6E5-85720-04-00	.OIL LEVEL GAUGE ASSY	1	
17	6R3-85721-80-00	.WIRE, LEAD (L=8.0M)	1	FOR 61A-21708-03
17	6R3-85721-30-00	.WIRE, LEAD (L=3.0M)	1	FOR 6E5-21708-08

CONTINUED ON NEXT FRAME >



6N41110-2080  
115\_130ltra\_txra

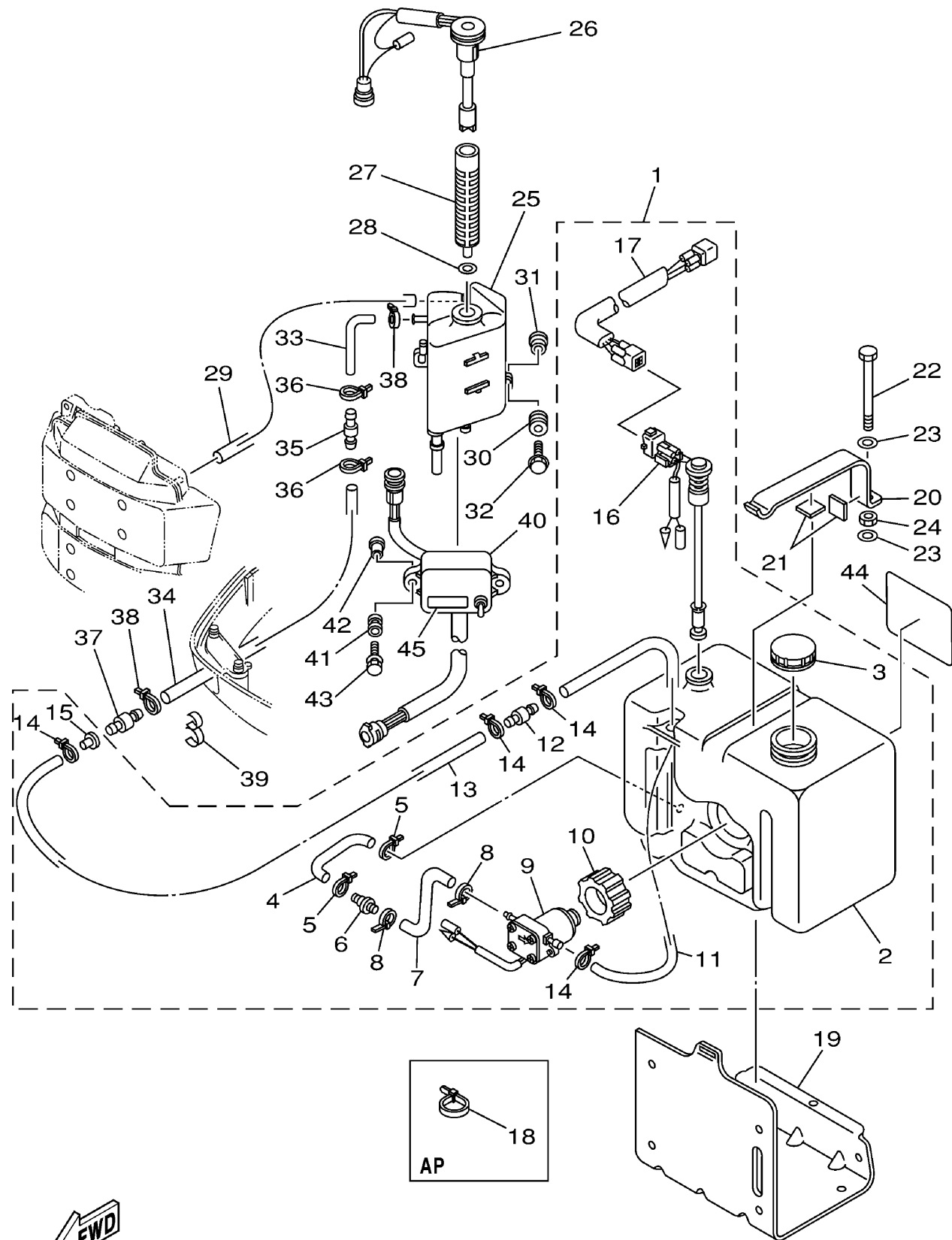


# OIL TANK

Ref No.	Part Number	Description	Qty	Remarks
18	90465-13M11-00	CLAMP	1	AP
19	6E5-21734-01-33	HOLDER, OIL SUB TANK	1	AP
20	6E5-21798-01-33	BRACKET, DAMPER	1	AP
21	6E5-21746-00-00	DAMPER	2	AP
22	97080-06100-00	BOLT	1	AP
23	92990-06600-00	WASHER, PLATE	2	AP
24	95380-06600-00	NUT, HEXAGON	1	AP
25	6E5-21750-05-00	OIL TANK ASSY	1	
26	6G7-85730-04-00	OIL LEVEL GAUGE ASSY	1	
27	6E5-13411-00-00	STRAINER, OIL	1	
28	6E5-13414-00-00	GASKET, STRAINER COVER	1	
29	90445-05M02-00	HOSE (L380)	1	
30	6A0-82317-00-00	DAMPER, IGNITION COIL	3	
31	624-42542-00-00	PIPE	3	
32	90119-06M65-00	BOLT, WITH WASHER	3	
33	64E-24323-00-00	PIPE 12	1	
34	90445-12207-00	HOSE (L2400)	1	
35	6E5-24379-00-00	PIPE, JOINT 4	1	
36	90465-11M10-00	CLAMP	2	
37	6E5-24379-00-00	PIPE, JOINT 4	1	

CONTINUED ON NEXT FRAME >





# OIL TANK

Ref No.	Part Number	Description	Qty	Remarks
38	90465-11M10-00	CLAMP	2	
39	90464-13M34-00	CLAMP	1	
40	6E5-85740-02-00	CONTROL UNIT ASSY	1	
41	6A0-82317-00-00	DAMPER, IGNITION COIL	2	
42	624-42542-00-00	PIPE	2	
43	90119-06M65-00	BOLT, WITH WASHER	2	
44	6E5-13437-43-00	MARK, CAUTION	1	
45	6E5-85711-40-00	MARK, CAUTION	1	