

CARBURETOR

Ref No.	Part Number	Description	Qty	Remarks
1	64C-14301-S1-00	CARBURETOR ASSY 1	1	(150)
2	64C-14302-S1-00	CARBURETOR ASSY 2	1	(150)
3	64C-14303-S1-00	CARBURETOR ASSY 3	1	(150)
4	64D-14384-01-00	. .GASKET, FLOAT CHAMBER	3	(150)
5	64D-14381-10-00	. .BODY, FLOAT CHAMBER	3	(150)
6	6E5-14385-02-00	. FLOAT	6	(150)
7	6E5-14546-00-00	. VALVE, NEEDLE	6	(150)
8	6E5-14159-00-00	. .CLIP	6	(150)
9	6E5-14386-02-00	. PIN, FLOAT	6	(150)
10	64D-1492F-42-00	. .JET, AIR SLOW (#84)	6	(150)
11	61U-14959-00-00	. .GASKET	6	(150)
12	64D-14394-00-00	. .VALVE, DRAIN	6	(150)
13	64D-1492E-71-00	. .JET, MAIN (#142)	3	(150)
14	64D-1492E-71-00	. .JET, MAIN (#142)	2	(150)
15	64D-1492E-71-00	. .JET, MAIN (#142)	1	(150)
16	6E5-14398-01-00	. GASKET	6	(150)
17	61A-1492H-12-00	. .JET, SLOW AIR BLEED (#60)	6	(150)
18	61A-14383-01-00	. .SCREW, DRAIN	6	(150)
19	6E5-14321-00-00	. .SCREW, THROTTLE	1	2(150)
20	6J8-14334-00-00	. .SPRING, THROTTLE	1	2(150)

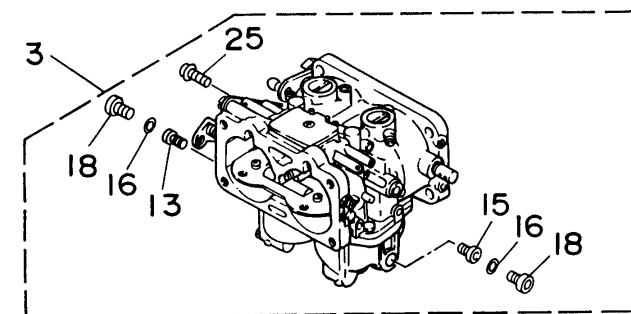
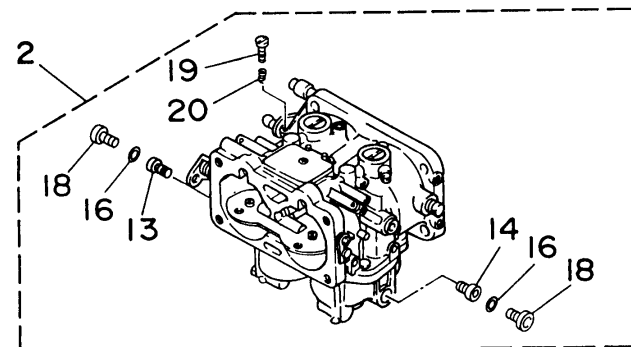
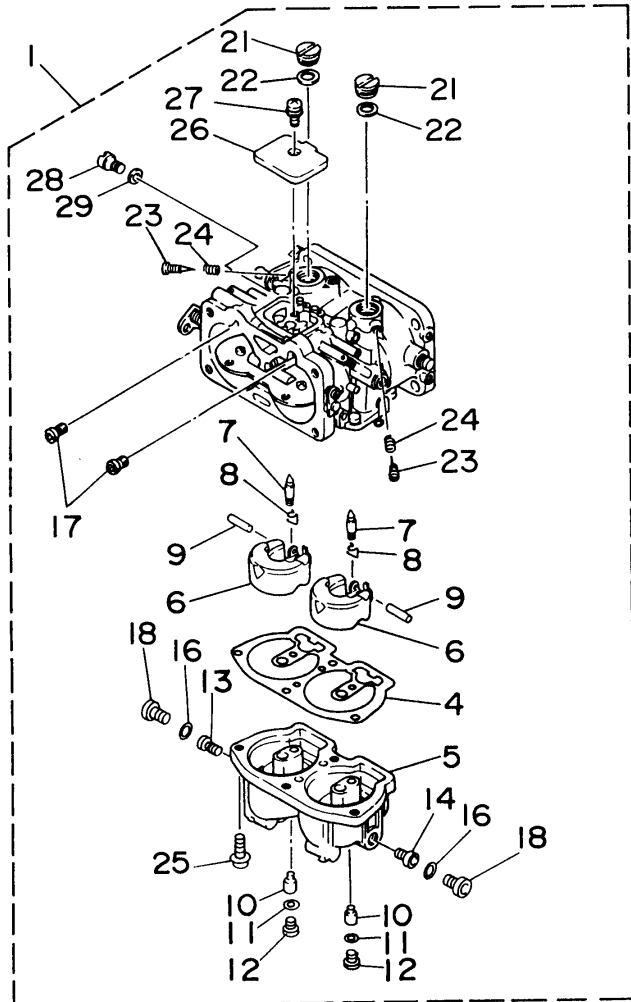
CONTINUED ON NEXT FRAME >



64F0010-6060

150txra

B2



CARBURETOR

Ref No.	Part Number	Description	Qty	Remarks
21	6E5-14328-01-00	. .PLUG	6	(150)
22	6E5-14979-00-00	. GASKET	6	(150)
23	6E5-14323-03-00	. SCREW, AIR ADJUSTING	6	(150)
24	6E5-14223-00-00	. .SPRING, AIR ADJUSTING	6	(150)
25	97980-05116-00	. .SCREW, WITH WASHER	12	(150)
26	6E5-14527-01-00	. .PLATE	3	(150)
27	97980-05108-00	. SCREW, WITH WASHER	3	(150)
28	6E5-14324-00-00	. .SCREW, FLAT HEAD	3	(150)
29	6J8-14959-00-00	. .GASKET	3	(150)



64F0010-6060

150txra