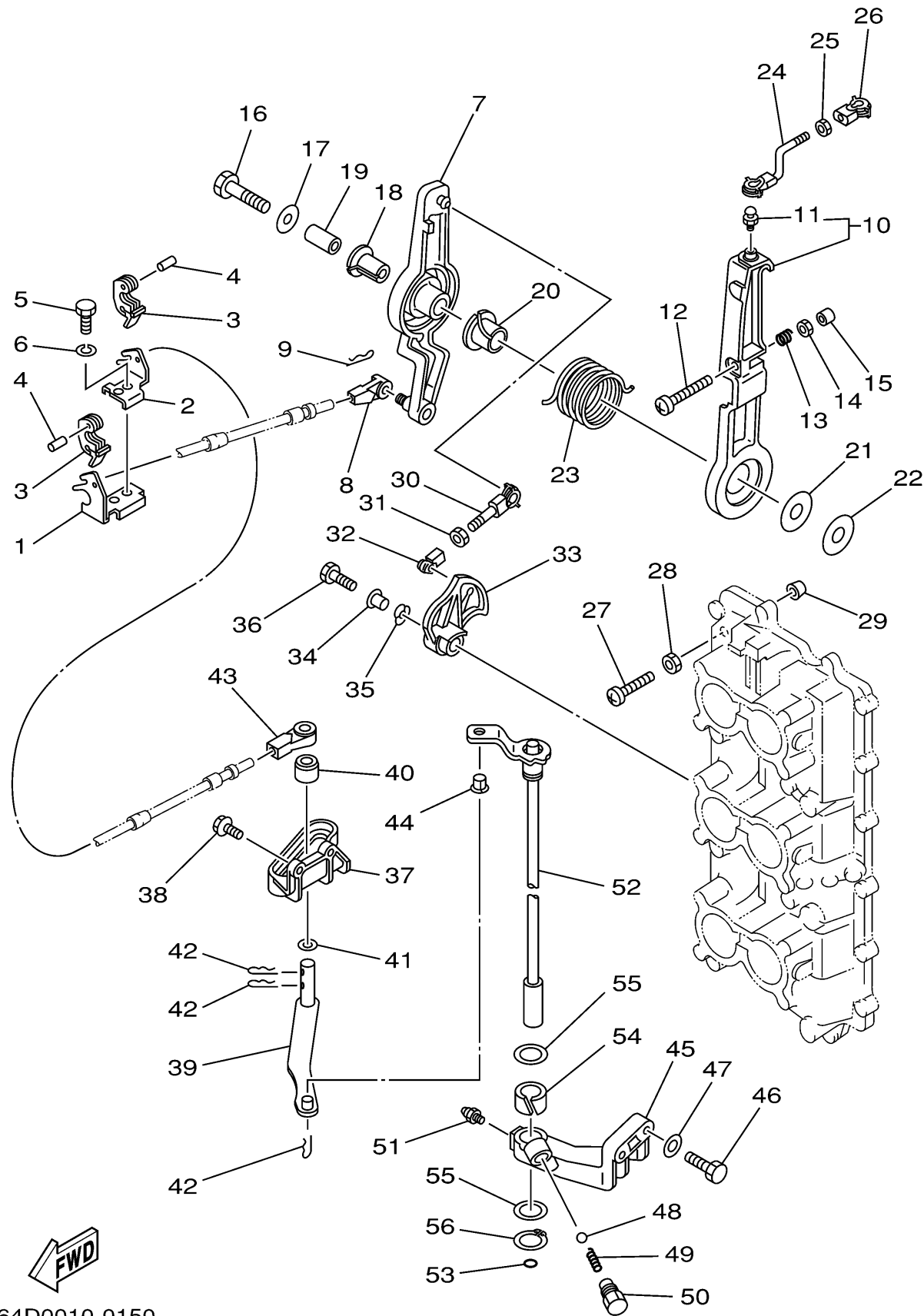


64D0010-0150
150txra

CONTROL

Ref No.	Part Number	Description	Qty	Remarks
1	64D-48531-00-00	BRACKET, REMOTE CONTROL 1	1	(150)
2	64D-48532-00-00	BRACKET, REMOTE CONTROL 2	1	(150)
3	6E5-48538-00-00	CLAMP, CABLE	2	(150)
4	91690-30012-00	PIN, SPRING	2	(150)
5	97095-08020-00	BOLT	1	(150)
6	92995-08100-00	WASHER	1	(150)
7	61H-41632-02-1S	LEVER, MAGNETO CONTROL	1	(150)
8	6E5-48344-00-00	CABLE END, REMOTE CONTROL	1	(150)
9	90468-18008-00	CLIP	1	(150)
10	6G5-41631-01-1S	LEVER, MAGNETO CONTROL	1	(150)
11	663-85518-00-00	. JOINT, BALL	1	(150)
12	90157-06013-00	SCREW, PAN HEAD	1	(150)
13	90501-16M12-00	SPRING, COMPRESSION	1	(150)
14	95303-06600-00	.NUT	1	(150)
15	688-44194-00-00	CAP	1	(150)
16	97013-08045-00	BOLT	1	(150)
17	90201-08M23-00	WASHER, PLATE	1	(150)
18	90386-12089-00	BUSH	1	(150)
19	90387-08M16-00	COLLAR	1	(150)
20	90386-22M13-00	BUSH	1	(150)

CONTINUED ON NEXT FRAME >



64D0010-0150
150txra

CONTROL

Ref No.	Part Number	Description	Qty	Remarks
21	90202-12092-00	WASHER, PLATE	1	(150)
22	90201-08M13-00	WASHER, PLATE	1	(150)
23	90508-29M12-00	SPRING, TORSION	1	(150)
24	6G5-41636-01-00	ROD, MAGNETO CONTROL	1	(150)
25	95380-05600-00	NUT	1	(150)
26	662-41237-01-00	JOINT, LINK	1	(150)
27	90157-06M00-00	SCREW, PAN HEAD	1	(150)
28	95303-06600-00	.NUT	1	(150)
29	688-44194-00-00	CAP	1	(150)
30	6G5-41211-01-00	LINK, ACCEL.	1	(150)
31	95380-05600-00	NUT	1	(150)
32	662-41237-01-00	JOINT, LINK	1	(150)
33	6G5-41213-00-00	CAM, ACCEL.	1	(150)
34	90387-06M29-00	COLLAR	1	(150)
35	90206-10M04-00	WASHER, WAVE	1	(150)
36	97095-06025-00	BOLT	1	(150)
37	6E5-44117-00-1S	BRACKET	1	(150)
38	90119-06MA2-00	BOLT, WITH WASHER	2	(150)
39	68F-44121-00-00	LEVER, SHIFT ROD	1	(150)
40	6E5-44122-00-00	BUSHING, SHIFT ROD LEVER	1	(150)

CONTINUED ON NEXT FRAME >

