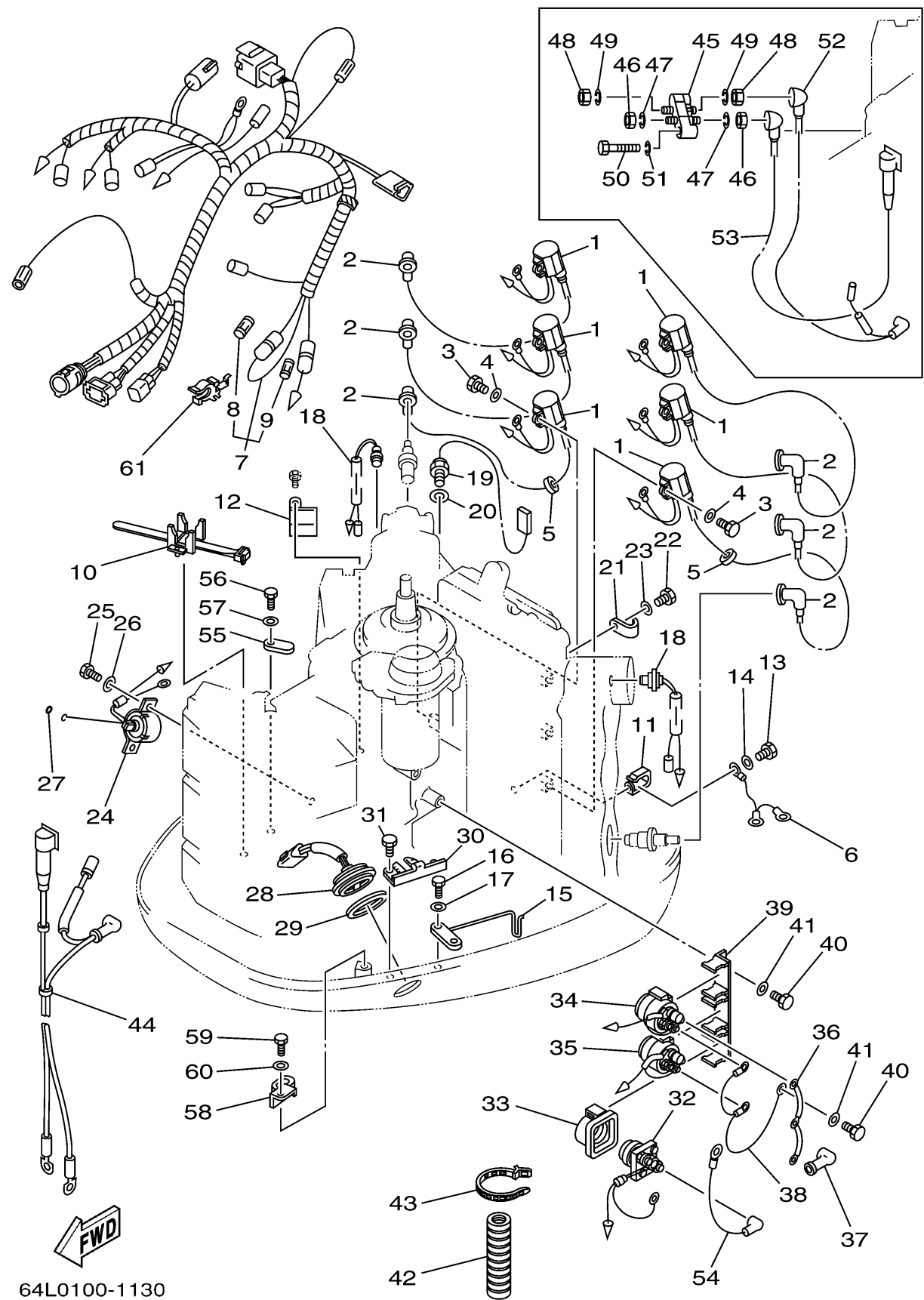


64L0100-1130  
150txra

## ELECTRICAL 2

Ref No.	Part Number	Description	Qty	Remarks
1	6R3-85570-01-00	IGNITION COIL ASSY	6	(150)
2	6E3-82370-21-00	PLUG CAP ASSY	6	(150)
3	97095-06020-00	BOLT	6	(150)
4	92995-06600-00	WASHER	6	(150)
5	90480-25161-00	GROMMET	2	(150)
6	6E5-82531-10-00	WIRE, LEAD	1	(150)
7	64D-82590-00-00	WIRE HARNESS ASSY	1	(150)
8	663-82151-00-00	..FUSE (12V-20A)	1	(150)
9	705-82151-00-00	..FUSE (30A)	1	(150)
10	688-82594-00-00	CLAMP	1	(150)
11	90465-05M87-00	CLAMP	1	(150)
12	90465-08M89-00	CLAMP	1	(150)
13	97095-06012-00	BOLT	1	(150)
14	92995-06600-00	WASHER	1	(150)
15	6K7-82588-00-00	PLATE	1	(150)
16	97095-06020-00	BOLT	1	(150)
17	92995-06600-00	WASHER	1	(150)
18	688-82560-10-00	THERMO SWITCH ASSY	2	(150)
19	61A-85790-00-00	THERMOSENSOR ASSY	1	(150)
20	92990-10600-00	WASHER, PLATE	1	(150)

CONTINUED ON NEXT FRAME >

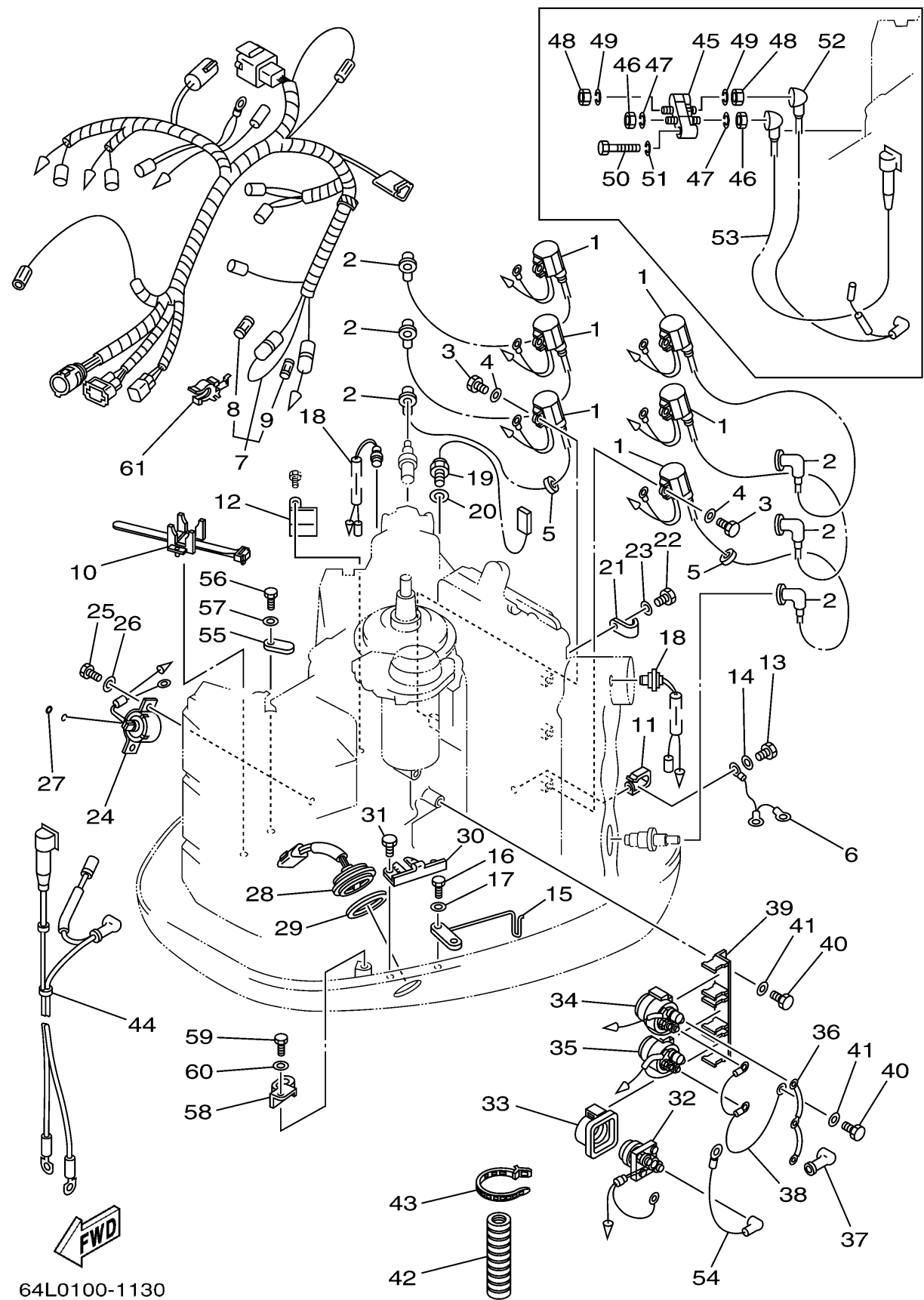


64L0100-1130  
150txra

## ELECTRICAL 2

Ref No.	Part Number	Description	Qty	Remarks
21	90465-06M86-00	CLAMP	1	(150)
22	97095-06012-00	BOLT	1	(150)
23	92995-06600-00	WASHER	1	(150)
24	64D-86110-00-00	SOLENOID	1	(150)
25	97095-06016-00	BOLT	2	(150)
26	92995-06600-00	WASHER	2	(150)
27	93210-03261-00	O-RING	1	(150)
28	6R3-82563-00-00	TRIM & TILT SWITCH ASSY	1	(150)
29	6E5-82587-00-00	GASKET	1	(150)
30	6R3-83614-00-00	BRACKET	1	(150)
31	97095-06012-00	BOLT	2	(150)
32	61A-81941-00-00	STARTER RELAY ASSY	1	(150)
33	689-81952-10-00	HOLDER, RELAY	1	(150)
34	6E5-81950-00-00	RELAY ASSY	1	(150)
35	6E5-8195A-00-00	RELAY ASSY	1	(150)
36	6G5-87149-10-00	CONNECTOR	1	(150)
37	6G5-82119-00-00	COVER, LEAD WIRE	2	(150)
38	6E5-82116-00-00	WIRE, MINUS LEAD	1	(150)
39	6G5-81948-11-00	BRACKET	1	(150)
40	97095-06016-00	BOLT	2	(150)

CONTINUED ON NEXT FRAME >

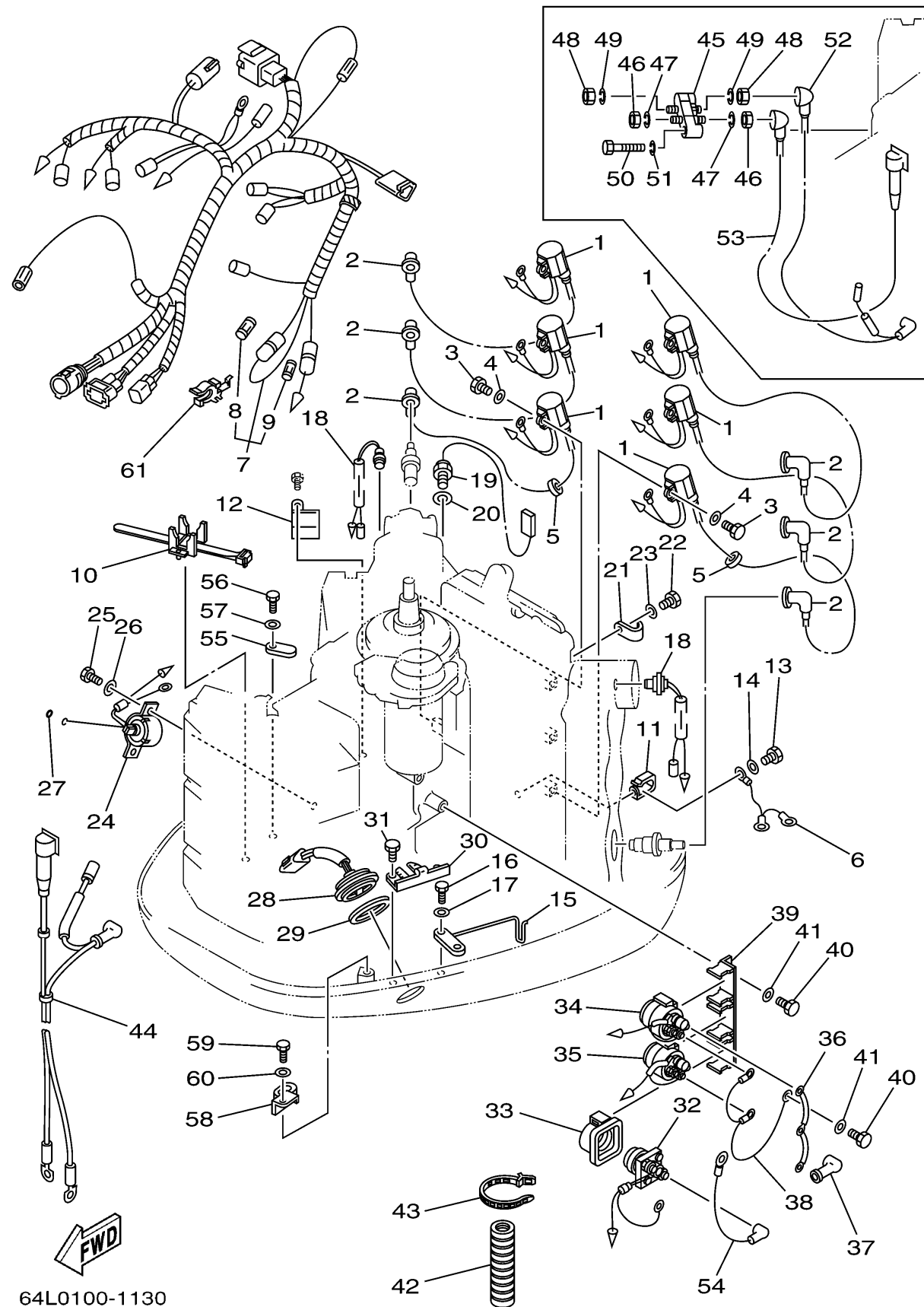


64L0100-1130  
150txra

## ELECTRICAL 2

Ref No.	Part Number	Description	Qty	Remarks
41	92995-06600-00	WASHER	2	(150)
42	6E9-83557-70-00	TUBE	1	(150)
43	90465-13M18-00	CLAMP	1	(150)
44	64D-82105-00-00	BATTERY CABLE	1	(150)
45	64D-81920-01-00	TERMINAL ASSY	1	(150)
46	95380-08700-00	NUT	2	(150)
47	92990-08100-00	WASHER, SPRING	2	(150)
48	95380-06700-00	NUT	2	(150)
49	92990-06100-00	WASHER, SPRING	2	(150)
50	97095-06035-00	BOLT	2	(150)
51	92995-06100-00	WASHER, SPRING	2	(150)
52	64D-82117-00-00	WIRE, LEAD	1	(150)
53	64D-82116-00-00	WIRE, MINUS LEAD	1	(150)
54	6E5-82117-01-00	WIRE, LEAD	1	(150)
55	6E5-82588-00-00	PLATE	1	(150)
56	97095-06020-00	BOLT	1	(150)
57	92995-06600-00	WASHER	1	(150)
58	90465-12M25-00	CLAMP	1	(150)
59	97095-06012-00	BOLT	1	(150)
60	92995-06600-00	WASHER	1	(150)

CONTINUED ON NEXT FRAME >



64L0100-1130  
150txra

## ELECTRICAL 2

Ref No.	Part Number	Description	Qty	Remarks
61	6G5-82152-00-00	HOLDER, FUSE	2	(150)