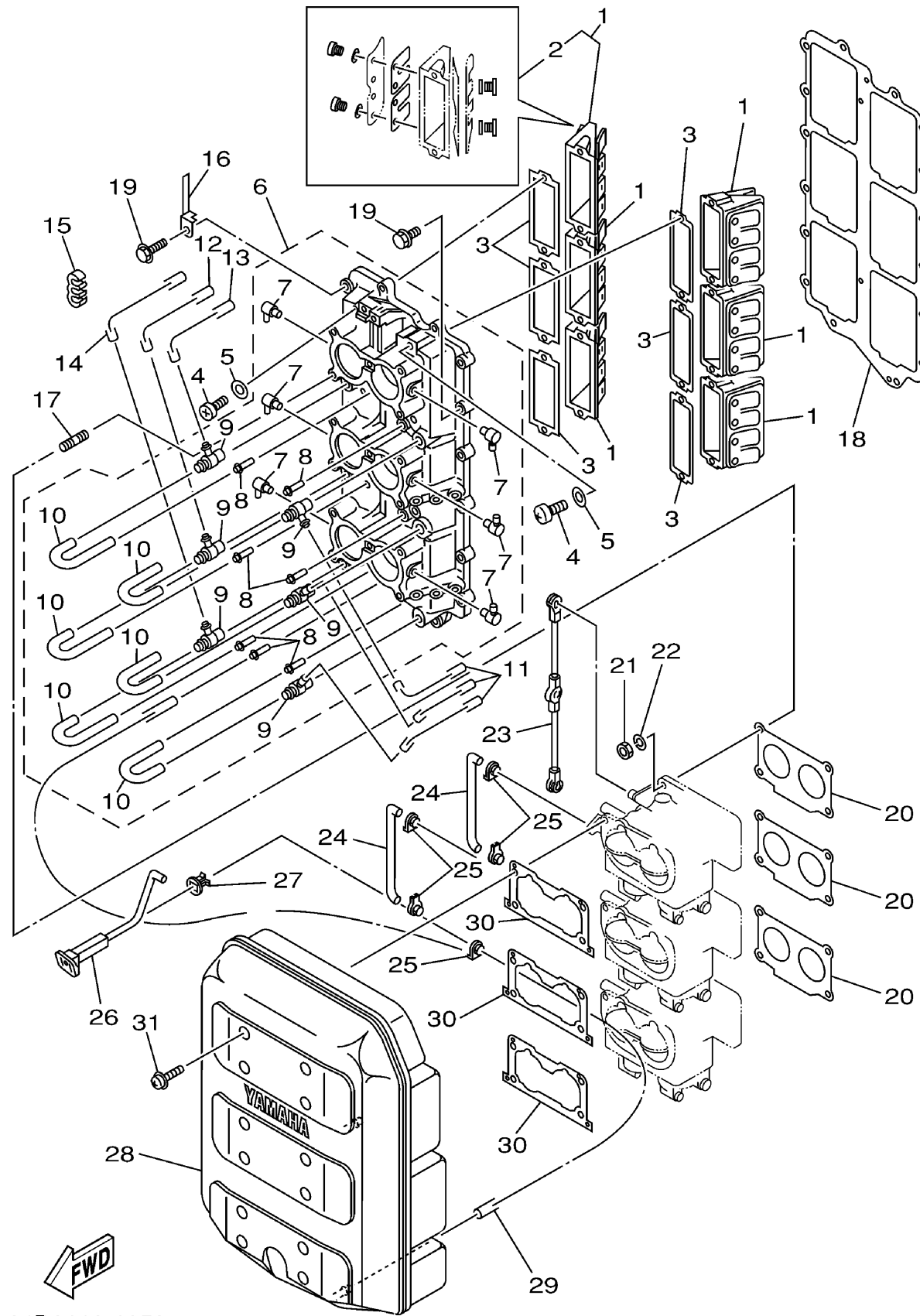


# INTAKE

Ref No.	Part Number	Description	Qty	Remarks
1	6E5-13610-00-00	REED VALVE ASSY	6	(150)
2	6E5-W0004-00-00	.REED SET	1	(150)
3	6E5-13621-A1-00	.GASKET, VALVE SEAT	6	(150)
4	97880-05016-00	SCREW, PAN HEAD	12	(150)
5	92990-05600-00	WASHER, PLATE	12	(150)
6	6G5-13641-11-1S	MANIFOLD 1	1	(150)
7	6E5-13552-00-00	.NOZZLE	6	(150)
8	624-14485-00-00	.PIPE, JOINT	7	(150)
9	6E5-11370-00-00	.CHECK VALVE ASSY	6	(150)
10	90445-07M28-00	.HOSE (L70)	6	(150)
11	90445-07M45-00	HOSE (L340)	3	(150)
12	90445-07M46-00	HOSE (L360)	1	(150)
13	90445-07M09-00	HOSE (L380)	1	(150)
14	90445-07M59-00	HOSE (L410)	1	(150)
15	90464-07M05-00	CLAMP	2	(150)
16	90465-10M91-00	CLAMP	2	(150)
17	90116-06M30-00	BOLT, STUD	12	(150)
18	6G5-13645-A1-00	GASKET, MANIFOLD 1	1	(150)
19	90119-06MA3-00	BOLT, WITH WASHER	16	(150)
20	6E5-14198-A2-00	.GASKET	3	(150)

CONTINUED ON NEXT FRAME >



64D0110-1050  
150txra

## INTAKE

Ref No.	Part Number	Description	Qty	Remarks
21	95380-06600-00	NUT, HEXAGON	12	(150)
22	92995-06100-00	WASHER, SPRING	12	(150)
23	6G5-41217-01-00	ROD, ACCEL. LEVER	1	(150)
24	6E5-41256-01-00	ROD, CHOKE 1	2	(150)
25	661-41262-02-00	JOINT, CHOKE LEVER	5	(150)
26	6R3-41271-00-00	KNOB, CHOKE	1	(150)
27	689-41273-00-00	GROMMET	1	(150)
28	64D-14440-00-00	SILENCER ASSY, INTAKE	1	(150)
29	90445-07MA3-00	HOSE (L200)	1	(150)
30	6K7-14483-00-00	GASKET	3	(150)
31	90159-06M08-00	SCREW, WITH WASHER	12	(150)