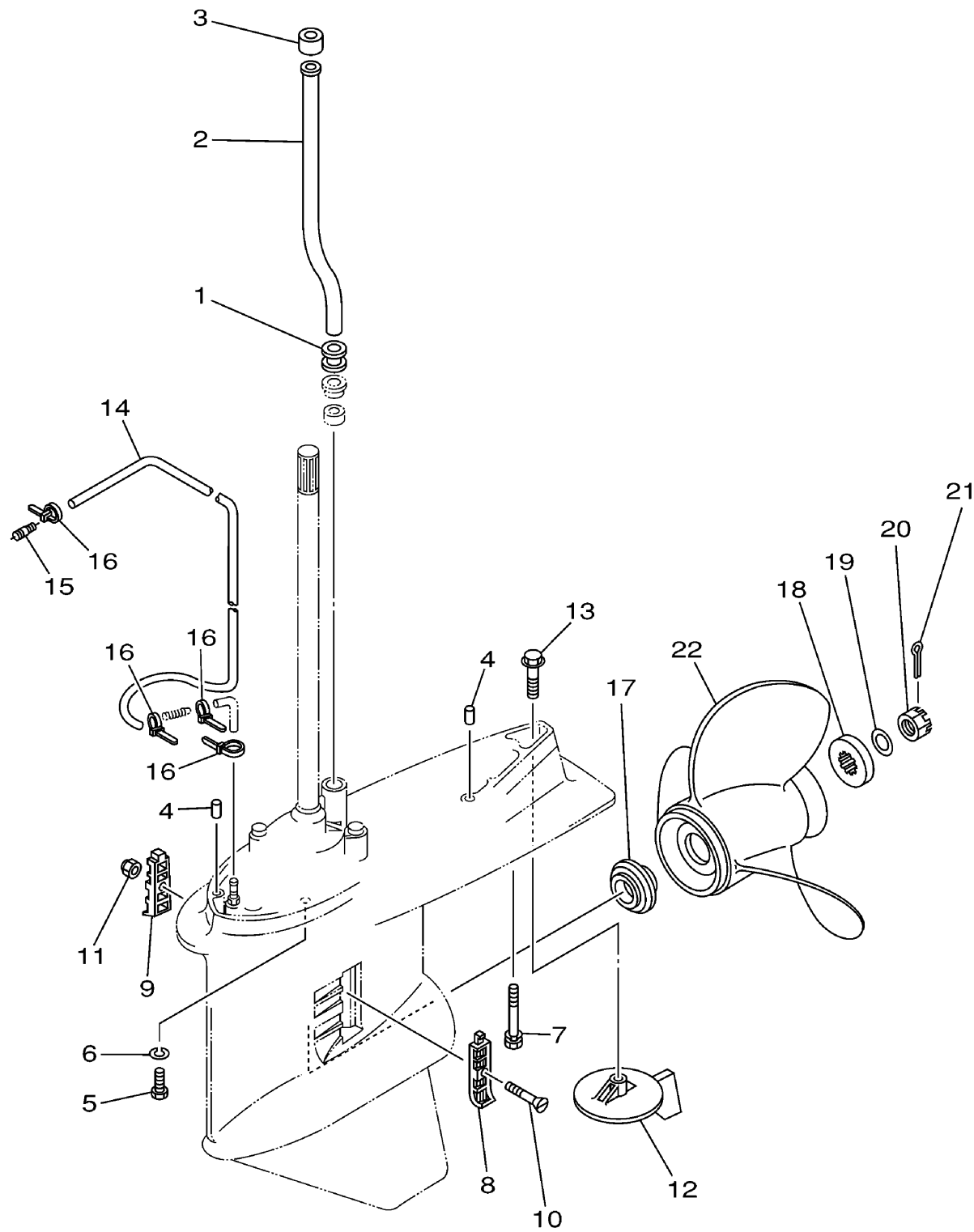


STD

## LOWER CASING DRIVE 2



Ref No.	Part Number	Description	Qty	Remarks
1	6E5-44366-00-00	DAMPER, WATER SEAL 2	1	(150)
2	6E5-44361-20-00	TUBE, WATER 1	1	X(150)
3	6E5-44365-00-00	DAMPER, WATER SEAL 1	1	(150)
4	93608-12M05-00	PIN, DOWEL	2	(150)
5	97075-10045-00	BOLT	6	(150)
6	92995-10100-00	WASHER	6	(150)
7	90119-10M89-00	BOLT, WITH WASHER	1	(150)
8	6J9-45214-00-00	COVER, WATER INLET 1	1	(150)
9	6J9-45215-00-00	COVER, WATER INLET 2	1	(150)
10	90152-05M08-00	SCREW, COUNTERSUNK	1	(150)
11	90185-05002-00	NUT, NYLON	1	(150)
12	6J9-45371-01-00	TAB-TRIM	1	(150)
13	90105-10M00-00	BOLT, FLANGE	1	(150)
14	90445-07M33-00	HOSE (L1080)	1	(150)
15	6E5-83558-00-00	END, NIPPLE	1	(150)
16	90465-11M10-00	CLAMP	4	(150)
17	6E5-45987-01-00	SPACER 1	1	(150)
18	688-45997-01-00	SPACER 2	1	(150)
19	92990-18200-00	WASHER	1	(150)
20	90171-18M04-00	NUT, CASTLE	1	(150)

CONTINUED ON NEXT FRAME >



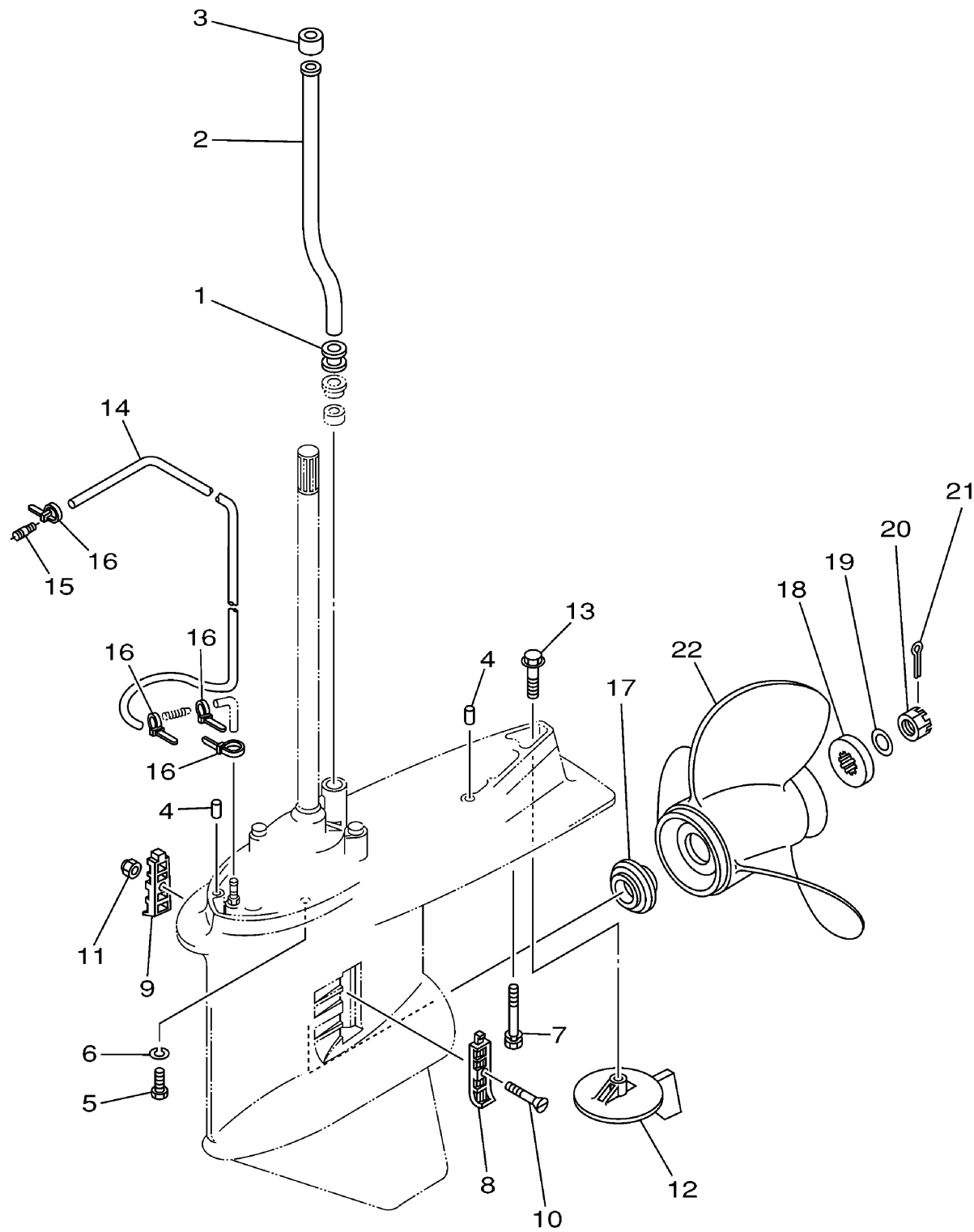
67H0100-1260  
150txra

E8

STD

## LOWER CASING DRIVE 2

Ref No.	Part Number	Description	Qty	Remarks
21	91490-40030-00	PIN. COTTER	1	(150)
22	6G5-45947-01-98	PROPELLER (3X14-1/2"X17"-M)	1	UR(150)
22	6G5-45970-02-98	PROPELLER (3X15-1/4"X15"-M)	1	UR(150)
22	6G5-45932-00-98	PROPELLER (3X15-3/4"X13"-M)	1	UR(150)
22	6G5-45974-03-98	PROPELLER (3X13-3/4"X19"-M2)	1	UR(150)
22	6G5-45978-03-98	PROPELLER (3X13-3/4"X17"-M2)	1	UR(150)
22	6G5-45943-01-98	PROPELLER (3X13-3/4"X21"-M)	1	UR(150)
22	6R4-45970-A1-00	PROPELLER (3X15-1/4"X19"-M)	1	UR(150)
22	6R4-45972-A1-00	PROPELLER (3X14-7/8"X21"-M)	1	UR(150)
22	6R4-45974-A1-00	PROPELLER (3X14-1/2"X23"-M)	1	UR(150)
22	6R4-45976-A1-00	PROPELLER (3X15-1/4"X15"-M)	1	UR(150)
22	6R4-45978-A1-00	PROPELLER (3X15-1/4"X17"-M)	1	UR(150)
22	6G5-45945-01-98	PROPELLER (3X14"X19"-M)	1	UR(150)
22	6G5-45941-00-98	PROPELLER (3X15-1/4"X15"-M)	1	UR(150)
22	6G5-45952-00-98	PROPELLER (3X14-5/8"X16"-M)	1	UR(150)
22	6G5-45930-00-98	PROPELLER (3X13-3/8"X25"-M)	1	UR(150)
22	6G5-45949-00-98	PROPELLER (3X13-1/2"X23"-M)	1	UR(150)
22	6G5-45972-02-98	PROPELLER (3X13-3/4"X21"-M)	1	UR(150)
22	6G5-45976-01-98	PROPELLER (3X13-3/8"X23"-M)	1	UR(150)



67H0100-1260  
150txra