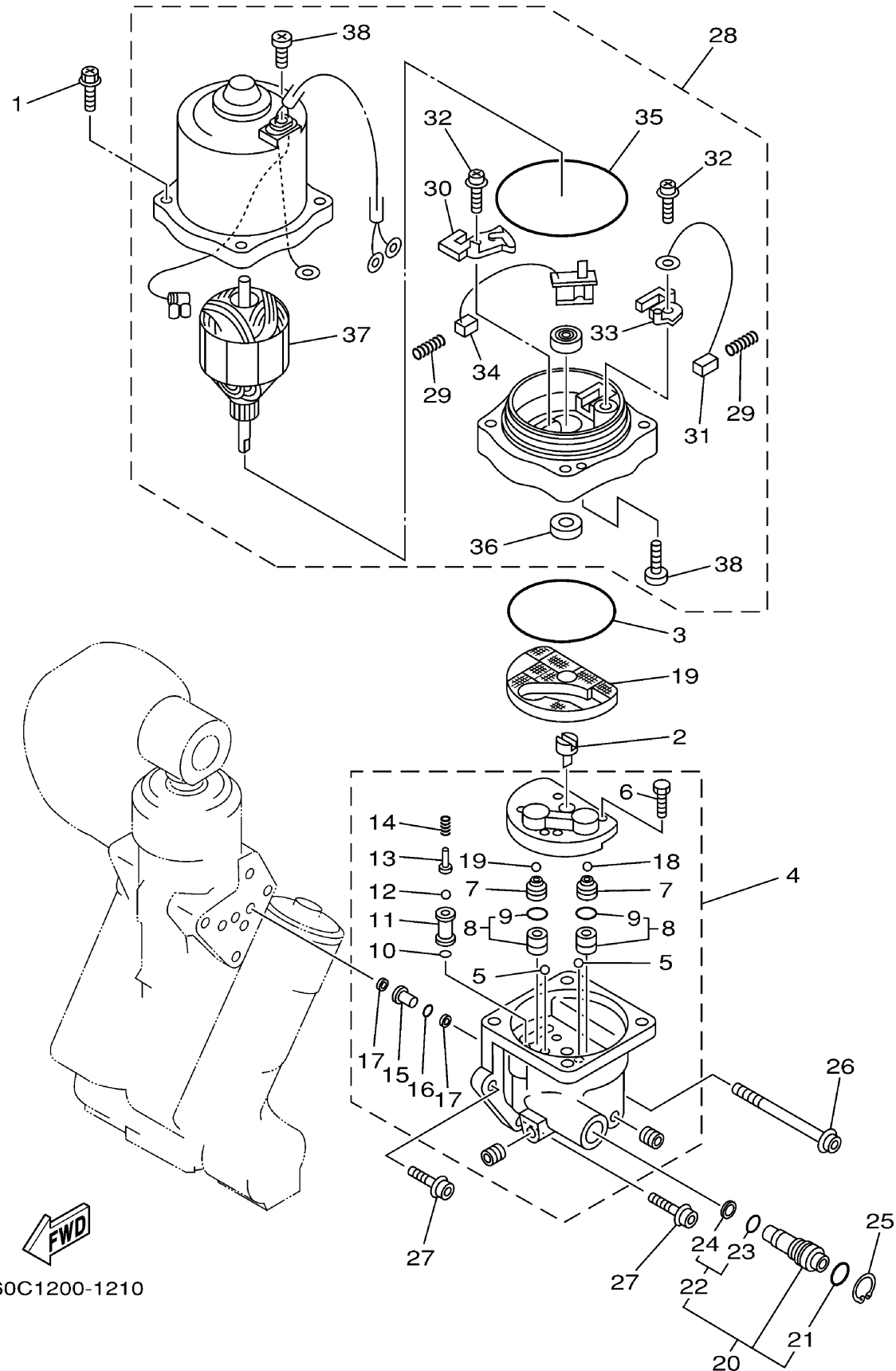


POWER TRIM TILT ASSY 2



Ref No.	Part Number	Description	Qty	Remarks
1	64E-4388E-10-00	BOLT ,SCREW (L:14MM)	4	(150)
2	64E-43831-00-00	CONNECTOR, SHAFT	1	(150)
3	64E-43868-00-00	O-RING	1	(150)
4	64E-43830-00-00	GEAR PUMP ASSY	1	(150)
5	72X-43858-00-00	..BALL	2	(150)
6	64E-43843-00-00	..SCREW, VALVE LOCK	4	(150)
7	64E-43841-00-00	..PISTON, SHUTTLE	2	(150)
8	64E-43802-00-00	..VALVE SUB ASSY	2	(150)
9	6E5-43896-00-00	...O-RING	1	(150)
10	6G5-43863-00-00	..O-RING	1	(150)
11	64E-43851-00-00	..SEAT, RELIEF VALVE	1	(150)
12	64E-43858-00-00	..BALL	1	(150)
13	64E-43859-00-00	..PIN, VALVE SUPPORT	1	(150)
14	64E-43855-00-00	..SPRING, UP RELIEF	1	(150)
15	64E-43850-00-00	..VALVE SUB ASSY	1	(150)
16	64E-43865-00-00	..O-RING	1	(150)
17	64E-43816-00-00	..FILTER 1	2	(150)
18	64E-43858-00-00	..BALL	2	(150)
19	64E-43817-10-00	FILTER 2	1	(150)
20	64E-43860-00-00	MANUAL VALVE SUB-ASSY	1	(150)

CONTINUED ON NEXT FRAME >

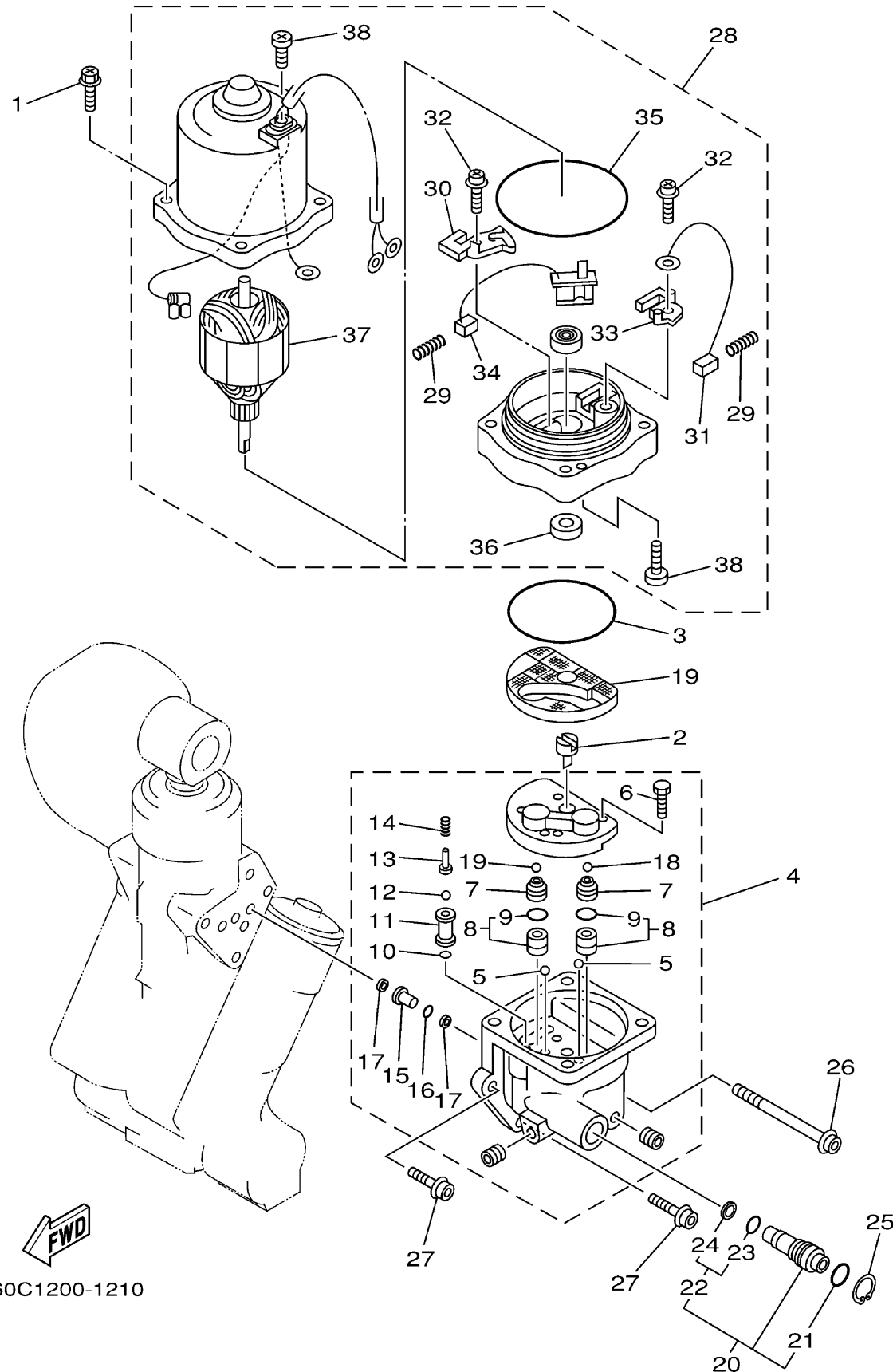
60C1200-1210

150txra

D11

POWER TRIM TILT ASSY 2

Ref No.	Part Number	Description	Qty	Remarks
21	72X-85075-L0-00	..O-RING	1	(150)
22	64E-43827-00-00	..RING SET	1	(150)
23	64E-4387A-00-00	...O-RING	1	(150)
24	64E-43873-00-00	...RING, BACK UP	1	(150)
25	64E-43875-00-00	RING, SNAP	1	(150)
26	64E-43879-10-00	SCREW, WITH WASHER	1	(150)
27	64E-43879-00-00	SCREW, WITH WASHER	2	(150)
28	64E-43880-00-00	MOTOR ASSY	1	(150)
29	6H1-4386K-10-00	..SPRING, BRUSH	2	(150)
30	64E-4380J-00-00	..HOLDER, BRUSH	1	(150)
31	64E-43891-00-00	..BRUSH 1	1	(150)
32	98507-04010-00	..SCREW, PAN HEAD	2	(150)
33	64E-4380F-00-00	..HOLDER, BRUSH 2	1	(150)
34	64E-43892-00-00	..BREAKER COMP. (BRUSH 2)	1	(150)
35	6G5-43865-00-00	..O-RING	1	(150)
36	93102-08M43-00	..OIL SEAL	1	(150)
37	64E-43805-00-00	..ARMATURE ASSY	1	(150)
38	64E-43843-10-00	..SCREW, VALVE LOCK	3	(150)



60C1200-1210

150txra

D12