

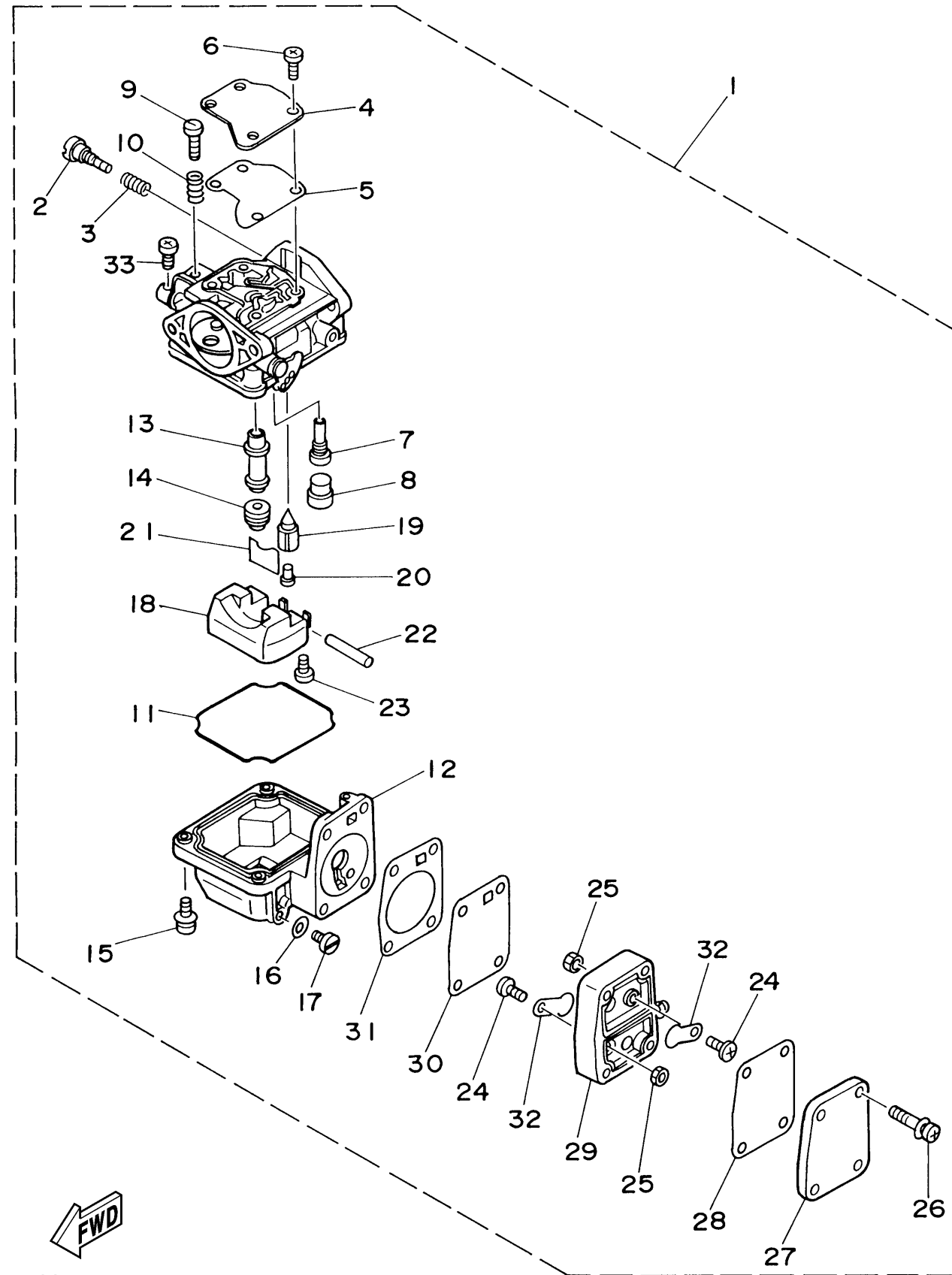
# CARBURETOR

Ref No.	Part Number	Description	Qty	Remarks
1	63V-14301-00-00	CARBURETOR ASSY 1	1	(MH)
2	679-14923-00-00	..SCREW, PILOT	1	(MH)
3	679-14555-00-00	..SPRING	1	(MH)
4	63V-14527-00-00	..PLATE	1	(MH)
5	63V-14126-00-00	..GASKET	1	(MH)
6	97803-04010-00	..SCREW, PAN HEAD	4	(MH)
7	63V-14948-06-00	..JET (#48)	1	(MH)
8	679-14966-00-00	..RUBBER CAP	1	(MH)
9	63V-14523-00-00	..SCREW, STOP	1	(MH)
10	90501-10326-00	..SPRING, COMPRESSION	1	(MH)
11	63V-14984-00-00	..GASKET, FLOAT CHAMBER	1	(MH)
12	63V-14980-00-00	..BODY, FLOAT CHAMBER	1	(MH)
13	63V-14947-00-00	..JET, NEEDLE	1	(MH)
14	676-14943-29-00	..JET, MAIN (#110)	1	(MH)
15	97980-04114-00	..SCREW, WITH WASHER	4	(MH)
16	6G1-14398-00-00	..WASHER	1	(MH)
17	6G1-14992-00-00	..SCREW, DRAIN	1	(MH)
18	63V-14985-00-00	..FLOAT	1	(MH)
19	6G1-14546-00-00	..VALVE, NEEDLE	1	(MH)
20	676-14186-00-00	..PIN, FLOAT	1	(MH)

CONTINUED ON NEXT FRAME >



63V0010-5050  
9\_9msha\_15msha



# CARBURETOR

Ref No.	Part Number	Description	Qty	Remarks
21	663-14159-00-00	..CLIP	1	(MH)
22	6H4-14548-00-00	..PIN, FLOAT ARM	1	(MH)
23	98580-04008-00	..SCREW, PAN HEAD	1	(MH)
24	98980-03006-00	..SCREW, BIND	2	(MH)
25	95380-03600-00	..NUT	2	(MH)
26	97980-04125-00	..SCREW, WITH WASHER	4	(MH)
27	6G1-24452-00-00	..COVER	1	(MH)
28	63V-24411-00-00	..DIAPHRAGM	1	(MH)
29	6G1-24412-01-00	..BODY 1	1	(MH)
30	6G1-24411-00-00	..DIAPHRAGM	1	(MH)
31	6G1-24431-01-00	..GASKET, FUEL PUMP 1	1	(MH)
32	6L5-24421-00-00	..VALVE, CHECK	2	(MH)
33	98580-04006-00	..SCREW, PAN HEAD	1	(MH)



63V0010-5050  
9\_9msha\_15msha